



TM_FLOOR CEILING_50R32_3D INVERTER_EU_S_NA_1905

FLOOR CEILING

R32 50HZ 3D INVERTER CONTROL

TECHNICAL MANUAL

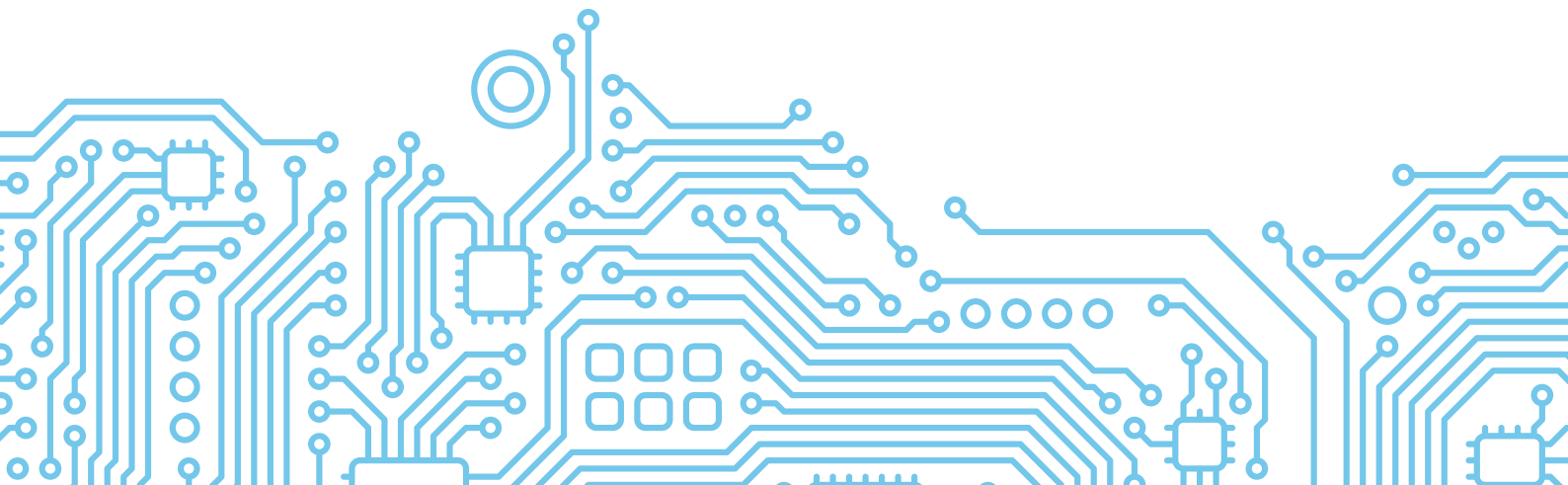
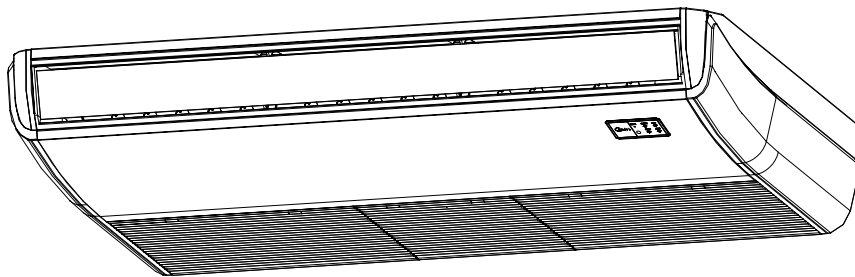


Table of Contents

Page

1. Specifications	4
1. Model Reference	
2. General Specifications	
3. Dimensional Drawings	
4. Centre of Gravity	
5. Electrical Wiring Diagrams	
6. Refrigerant Cycle Diagrams	
7. Capacity Tables	
8. Capacity Correction Factor for Height Difference	
9. Noise Criterion Curves	
10. Electrical Characteristics	
2. Product Features	74
1. Operation Modes and Functions	
2. Remote Controller Functions	
3. Installation	93
1. Installation Overview	
2. Location Selection	
3. Indoor Unit Installation	
4. Outdoor Unit Installation	
5. Drainage Pipe Installation	
6. Refrigerant Pipe Installation	
7. Vacuum Drying and Leakage checking	
8. Additional Refrigerant Charge	

Table of Contents

Page

- 9. Engineering of Insulation
- 10. Engineering of Electrical Wiring
- 11. Test Operation

Specifications

Contents

1.	Model Reference.....	5
2.	General Specifications.....	6
3.	Dimensional Drawings.....	12
4.	Centre of Gravity.....	15
5.	Electrical Wiring Diagrams.....	19
6.	Refrigerant Cycle Diagrams.....	33
7.	Capacity Tables.....	36
8.	Capacity Correction Factor for Height Difference.....	60
9.	Noise Criterion Curves.....	67
10.	Electrical Characteristics.....	73

1. Model Reference

Refer to the following table to determine the specific indoor and outdoor unit model number of your purchased equipment.

Indoor Unit Model	Outdoor Unit Model	Capacity (Btu/h)	Power Supply
MUE-18HRFNX-QRD0	MOB30U-18HFN8-QRD0	18K	1 Φ , 220-240V~, 50Hz
MUE-24HRFNX-QRD0	MOCA30U-24HFN8-QRD0	24K	
MUE-30HRFNX-QRD0	MOD30U-30HFN8-QRD0	30K	
MUE-36HRFNX-QRD0	MOD30U-36HFN8-QRD0	36K	
MUE-42HRFNX-QRD0	MOD30U-42HFN8-QRD0	42K	
MUE-36HRFNX-QRD0	MOD30U-36HFN8-RRD0	36K	3 Φ , 380-410V~, 50Hz
MUE-48HRFNX-QRD0	MOE30U-48HFN8-RRD0	48K	
MUE-55HRFNX-QRD0	MOE30U-55HFN8-RRD0	55K	

2. General Specifications

Indoor model		MUE-18HRFNX-QRDO	MUE-24HRFNX-QRDO	MUE-36HRFNX-QRDO	
Outdoor model		MOB30U-18HFN8-QRDO	MOCA30U-24HFN8-QRDO	MOD30U-36HFN8-QRDO	
Power supply (Indoor)	V- Ph-Hz	220~240-1-50	220~240-1-50	220~240-1-50	
Power Supply (Outdoor)	V-Ph-Hz	220~240-1-50	220~240-1-50	220~240-1-50	
Max. input consumption	W	2200	2950	4700	
Max. current	A	10.0	13.5	21.5	
Indoor fan motor	Model	ZKFN-55-8-1	ZKFN-55-8-1	ZKFN-90-8-1	
	Qty	1	1	2	
	Insulation class	E	E	E	
	IP rating	IPX4	IPX4	IPX4	
	Input	W	100.0	100.0	96.0
	Capacitor	uF	/	/	/
	Speed(Hi/Mi/Lo)	r/min	950/850/750	1200/1080/890	1200/1050/850
Indoor coil	Number of rows		3.0	3.0	3
	Tube pitch(a)x row pitch(b)	mm	21x13.37	21x13.37	21x13.37
	Fin spacing	mm	1.3	1.3	1.3
	Fin type (code)		Hydrophilic aluminum	Hydrophilic aluminum	Hydrophilic aluminum
	Tube outside dia.and type	mm	Φ7,Inner groove tube	Φ7,Inner groove tube	Φ7,Inner groove tube
	Coil length x height x width	mm	795x294x40.11	795x294x40.11	1300x294x40.11
	Number of circuits		7	7	8
Indoor air flow (Hi/Mi/Lo)	m3/h	902/786/677	1208/1066/853	2160/1844/1431	
Indoor sound pressure level	dB(A)	45/40/37	49/46/41	50/46/42	
Indoor sound power level	dB(A)	56	61	61	
Indoor unit	Dimension(W*D*H)	mm	1068x675x235	1068x675x235	1650x675x235
	Packing (W*D*H)	mm	1145x755x313	1145x755x313	1725x755x313
	Net/Gross weight	Kg	26.6/31.8	26.8/31.9	41.5/48
Design pressure	MPa	4.2/1.5	4.2/1.5	4.2/1.5	
Drainage water pipe diameter	mm	ODΦ25mm	ODΦ25mm	ODΦ25mm	
Refrigerant piping	Liquid side/ Gas side	mm(inch)	Φ6.35/Φ12.7(1/4"/1/2")	Φ9.52/Φ15.9(3/8"/5/8")	Φ9.52/Φ15.9(3/8"/5/8")
Controller		Remote control	Remote control	Remote control	
Operation temperature	°C	17-30	17-30	17-30	
Room temperature	Cooling	°C	17~32	17~32	17~32
	Heating	°C	0~30	0~30	0~30
Qty'per 20' /40' /40'HQ	Indoor unit	102/220/252	102/220/252	72/147/167	
Compressor	Model	KSM135D23UFZ	KTF235D22UMT	KTF310D43UMT	
	Type		ROTARY	ROTARY	
	Brand		GMCC	GMCC	
	Capacity	W	4230	7650	10010
	Input	W	1080	2065	2765
	Rated current(RLA)	A	7.1	9.4	5.38
	Refrigerant oil/oil charge	ml	VG74/450	RB74A F/670	VG74/1000
Outdoor fan motor	Model	ZKFN-40-8-1L	ZKFN-50-8-2	ZKFN-120-8-2	
	Qty		1	1	1
	Insulation class		E	E	E
	IP rating		IPX4	IPX0	IPX4
	Output	W	63.0	115.0	150.0
	Capacitor	uF	/	/	/
	Speed	r/min	810	850	1050

Outdoor coil	Number of rows		2.0	2.0	2.0
	Tube pitch(a)x row pitch(b)	mm	25.4x22	25.4x22	25.4x22
	Fin spacing	mm	1.4	1.4	1.3
	Fin type (code)		Hydrophilic aluminum	Hydrophilic aluminum	Hydrophilic aluminum
	Tube outside dia.and type	mm	Φ9.52,Inner groove tube	Φ9.52,Inner groove tube	Φ9.52,Inner groove tube
	Coil length x height x width	mm	860x508x44	730x660x44	995x762x44
	Number of circuits		4	4	4
Outdoor air flow		m ³ /h	2100	2700	4000
Outdoor sound pressure level		dB(A)	55	59	63
Outdoor sound power level		dB(A)	63	65	67
Throttle type			EXV+Capillary	EXV+Capillary	EXV+Capillary
Outdoor unit	Dimension(W*D*H)	mm	800x333x554	845x363x702	946x410x810
	Packing (W*D*H)	mm	920x390x615	965x395x765	1090x500x875
	Net/Gross weight	Kg	35.6/38.5	49.4/52.8	66.8/73.4
Refrigerant type	Type	-	R32	R32	R32
	GWP	-	675	675	675
	Charged quantity	Kg	1.35	1.5	2.4
Design pressure		MPa	4.2/1.5	4.2/1.5	4.2/1.5
Refrigerant piping	Liquid side/ Gas side	mm(inch)	Φ6.35/Φ12.7(1/4"/1/2")	Φ9.52/Φ15.9(3/8"/5/8")	Φ9.52/Φ15.9(3/8"/5/8")
	Max. refrigerant pipe length	m	30	50	65
	Max. difference in level	m	20	25	30
Ambient temperature	Cooling	°C	-15~50	-15~50	-15~50
	Heating	°C	-15~24	-15~24	-15~24
Qty'per 20' /40' /40'HQ		Outdoor unit	108/219/292	102/215/216	44/96/144

Notes:

1) Capacities are based on the following conditions:

Cooling(T1): - Indoor Temperature 27°C(80.6°F) DB /19 °C(66.2°F) WB Heating: - Indoor Temperature 20°C(68°F) DB / 15°C(59°F) WB
 -Outdoor Temperature 35 °C(95°F) DB /24 °C(75.2°F) WB -Outdoor Temperature 7°C(44.6°F) DB / 6°C(42.8°F) WB
 -Interconnecting Piping Length 5m - Interconnecting Piping Length 5 m
 - Level Difference of Zero. - Level Difference of Zero.

2) Capacities are Net Capacities.

3) Due to our policy of innovation some specifications may be changed without notification.

Indoor model			MUE-30HRFNX-QRDO	MUE-42HRFNX-QRDO
Outdoor model			MOD30U-30HFN8-QRDO	MOD30U-42HFN8-QRDO
Power supply (Indoor)	V- Ph-Hz		220~240-1-50	220~240-1-50
Power Supply (Outdoor)	V-Ph-Hz		220~240-1-50	220~240-1-50
Max. input consumption	W		3600	4800
Max. current	A		16.5	22.5
Indoor fan motor	Model		ZKFN-90-8-1	ZKFN-90-8-1
	Qty		2	2
	Insulation class		E	E
	IP rating		IPX4	IPX4
	Input	W	96.0	96.0
	Capacitor	uF	/	/
	Speed(Hi/Mi/Lo)	r/min	1200/1050/850	1300/1100/850
Indoor coil	Number of rows		3	3
	Tube pitch(a)x row pitch(b)	mm	21x13.37	21x13.37
	Fin spacing	mm	1.3	1.3
	Fin type (code)		Hydrophilic aluminum	Hydrophilic aluminum
	Tube outside dia.and type	mm	Φ7,Inner groove tube	Φ7,Inner groove tube
	Coil length x height x width	mm	1300x294x40.11	1300x294x40.11
	Number of circuits		8	8
Indoor air flow (Hi/Mi/Lo)	m3/h		2160/1844/1431	2329/1930/1417
Indoor sound pressure level	dB(A)		50/46/42	54/50/46
Indoor sound power level	dB(A)		62	66
Indoor unit	Dimension(W*D*H)	mm	1650x675x235	1650x675x235
	Packing (W*D*H)	mm	1725x755x313	1725x755x313
	Net/Gross weight	Kg	41.5/48	41.2/47.6
Design pressure	MPa		4.2/1.5	4.2/1.5
Drainage water pipe diameter	mm		ODΦ25mm	ODΦ25mm
Refrigerant piping	Liquid side/ Gas side	mm(inch)	Φ9.52/Φ15.9(3/8"/5/8")	Φ9.52/Φ15.9(3/8"/5/8")
Controller			Remote control	Remote control
Operation temperature	°C		17-30	17-30
Room temperature	Cooling	°C	17~32	17~32
	Heating	°C	0~30	0~30
Qty'per 20' /40' /40'HQ	Indoor unit		72/147/167	72/147/167
Compressor	Model		KTM240D57UMT	KTF310D43UMT
	Type		ROTARY	ROTARY
	Brand		GMCC	GMCC
	Capacity	W	7715	10010
	Input	W	2085	2765
	Rated current(RLA)	A	9	5.38
	Refrigerant oil/oil charge	ml		VG74/670
Outdoor fan motor	Model		ZKFN-120-8-2	ZKFN-120-8-2
	Qty		1	1
	Insulation class		E	E
	IP rating		IPX4	IPX4
	Output	W	150.0	150.0
	Capacitor	uF	/	/
	Speed	r/min		1050/900/850

Outdoor coil	Number of rows		1.6	2.6
	Tube pitch(a)x row pitch(b)	mm	25.4x22	25.4x22
	Fin spacing	mm	1.5	1.5
	Fin type (code)		Hydrophilic aluminum	Hydrophilic aluminum
	Tube outside dia.and type	mm	Φ9.52,Inner groove tube	Φ9.52,Inner groove tube
	Coil length x height x width	mm	1005x762x22+580x762x22	995x762x22+960x762x22+580x762x22
	Number of circuits		4	6
Outdoor air flow		m ³ /h	3800	3600
Outdoor sound pressure level		dB(A)	58.5	65
Outdoor sound power level		dB(A)	67	72
Throttle type			EXV+Capillary	EXV+Capillary
Outdoor unit	Dimension(W*D*H)	mm	946x410x810	946x410x810
	Packing (W*D*H)	mm	1090x500x885	1090x500x885
	Net/Gross weight	Kg	56.9/61.8	73.9/78.9
Refrigerant type	Type	-	R32	R32
	GWP	-	675	675
	Charged quantity	Kg	2.0	2.8
Design pressure		MPa	4.3/1.7	4.3/1.7
Refrigerant piping	Liquid side/ Gas side	mm(inch)	Φ9.52/Φ15.9(3/8"/5/8")	Φ9.52/Φ15.9(3/8"/5/8")
	Max. refrigerant pipe length	m	50	65
	Max. difference in level	m	25	30
Ambient temperature	Cooling	°C	-15~50	-15~50
	Heating	°C	-15~24	-15~24
Qty'per 20' /40' /40'HQ		Outdoor unit	44/96/138	44/96/138

Notes:

1) Capacities are based on the following conditions:

Cooling(T1): - Indoor Temperature 27°C(80.6°F) DB /19 °C(66.2°F) WB Heating: - Indoor Temperature 20°C(68°F) DB / 15°C(59°F) WB

-Outdoor Temperature 35 °C(95°F) DB /24 °C(75.2°F) WB

-Outdoor Temperature 7°C(44.6°F) DB / 6°C(42.8°F) WB

-Interconnecting Piping Length 5m

- Interconnecting Piping Length 5 m

- Level Difference of Zero.

- Level Difference of Zero.

2) Capacities are Net Capacities.

3) Due to our policy of innovation some specifications may be changed without notification.

Indoor model		MUE-36HRFNX-QRDO	MUE-48HRFNX-QRDO	MUE-55HRFNX-QRDO	
Outdoor model		MOD30U-36HFN8-RRDO	MOE30U-48HFN8-RRDO	MOE30U-55HFN8-RRDO	
Power supply (Indoor)	V- Ph-Hz	220~240-1-50	220~240-1-50	220~240-1-50	
Power Supply (Outdoor)	V-Ph-Hz	380~415-3-50	380~415-3-50	380~415-3-50	
Max. input consumption	W	5600	6200	7500	
Max. current	A	10.0	11.2	14	
Indoor fan motor	Model	ZKFN-90-8-1	ZKFN-90-8-1	ZKFN-160-8-1-2	
	Qty	2	2	2	
	Insulation class	E	E	E	
	IP rating	IPX4	IPX4	IPX0	
	Input	W	96.0	96.0	90.0
	Capacitor	uF	/	/	/
	Speed(Hi/Mi/Lo)	r/min	1200/1050/850	1300/1100/850	1350/1050/850
Indoor coil	Number of rows	3	3	3	
	Tube pitch(a)x row pitch(b)	mm	21x13.37	21x13.37	21x13.37
	Fin spacing	mm	1.3	1.3	1.3
	Fin type (code)		Hydrophilic aluminum	Hydrophilic aluminum	Hydrophilic aluminum
	Tube outside dia.and type	mm	Φ7,Inner groove tube	Φ7,Inner groove tube	Φ7,Inner groove tube
	Coil length x height x width	mm	1300x294x40.11	1300x294x40.11	1300x294x40.11
	Number of circuits		8	8	8
Indoor air flow (Hi/Mi/Lo)	m ³ /h	2160/1844/1431	2329/1930/1417	2454/1834/1426	
Indoor sound pressure level	dB(A)	50/46/40	54/50/46	54/47/42	
Indoor sound power level	dB(A)	59	66	69	
Indoor unit	Dimension(W*D*H)	mm	1650x675x235	1650x675x235	1650x675x235
	Packing (W*D*H)	mm	1725x755x313	1725x755x313	1725x755x313
	Net/Gross weight	Kg	41.5/48	41.2/47.6	41.4/47.8
Design pressure	MPa	4.2/1.5	4.2/1.5	4.2/1.5	
Drainage water pipe diameter	mm	ODΦ25mm	ODΦ25mm	ODΦ25mm	
Refrigerant piping	Liquid side/ Gas side	mm(inch)	Φ9.52/Φ15.9(3/8"/5/8")	Φ9.52/Φ15.9(3/8"/5/8")	Φ9.52/Φ15.9(3/8"/5/8")
Controller		Remote control	Remote control	Remote control	
Operation temperature	°C	17-30	17-30	17-30	
Room temperature	Cooling	°C	17~32	17~32	17~32
	Heating	°C	0~30	0~30	0~30
Qty'per 20' /40' /40'HQ	Indoor unit	72/147/167	72/147/167	72/147/167	
Compressor	Model	KTF310D43UMT	KTQ420D1UMU	KTQ420D1UMU	
	Type	ROTARY	ROTARY	ROTARY	
	Brand	GMCC	GMCC	GMCC	
	Capacity	W	10010	13700	13700
	Input	W	2765	3700	3700
	Rated current(RLA)	A	5.38	7.02	7.02
	Refrigerant oil/oil charge	ml	VG74/1000	VG74/1400	VG74/1400
Outdoor fan motor	Model	ZKFN-120-8-2	ZKFN-85-8-22	ZKFN-85-8-22-2	
	Qty	1	2	2	
	Insulation class	E	E	E	
	IP rating	IPX4	IPX4	IPX4	
	Output	W	150.0	126.0	126.0
	Capacitor	uF	/	/	/
	Speed	r/min	1050	850	850

Outdoor coil	Number of rows		2.0	1.6	2.0
	Tube pitch(a)x row pitch(b)	mm	25.4x22	25.4x22	25.4x22
	Fin spacing	mm	1.3	1.4	1.4
	Fin type (code)		Hydrophilic aluminum	Hydrophilic aluminum	Hydrophilic aluminum
	Tube outside dia.and type	mm	Φ9.52,Inner groove tube	Φ9.52,Inner groove tube	Φ9.52,Inner groove tube
	Coil length x height x width	mm	995x762x44	990x1270x22+500x1270x22	990x1270x44
	Number of circuits		4	8	8
Outdoor air flow		m ³ /h	4000	7500	7500
Outdoor sound pressure level		dB(A)	61	66	65
Outdoor sound power level		dB(A)	66	72	74
Throttle type			EXV+Capillary	EXV+Capillary	EXV+Capillary
Outdoor unit	Dimension(W*D*H)	mm	946x410x810	952x415x1333	952x415x1333
	Packing (W*D*H)	mm	1090x500x875	1095x495x1480	1095x495x1480
	Net/Gross weight	Kg	81.5/87.0	106.7/119.9	111.3/124.3
Refrigerant type	Type	-	R32	R32	R32
	GWP	-	675	675	675
	Charged quantity	Kg	2.4	2.8	2.95
Design pressure		MPa	4.2/1.5	4.2/1.5	4.2/1.5
Refrigerant piping	Liquid side/ Gas side	mm(inch)	Φ9.52/Φ15.9(3/8"/5/8")	Φ9.52/Φ15.9(3/8"/5/8")	Φ9.52/Φ15.9(3/8"/5/8")
	Max. refrigerant pipe length	m	65	65	65
	Max. difference in level	m	30	30	30
Ambient temperature	Cooling	°C	-15~50	-15~50	-15~50
	Heating	°C	-15~24	-15~24	-15~24
Qty'per 20' /40' /40'HQ		Outdoor unit	44/96/144	22/48/48	22/48/48

Notes:

1) Capacities are based on the following conditions:

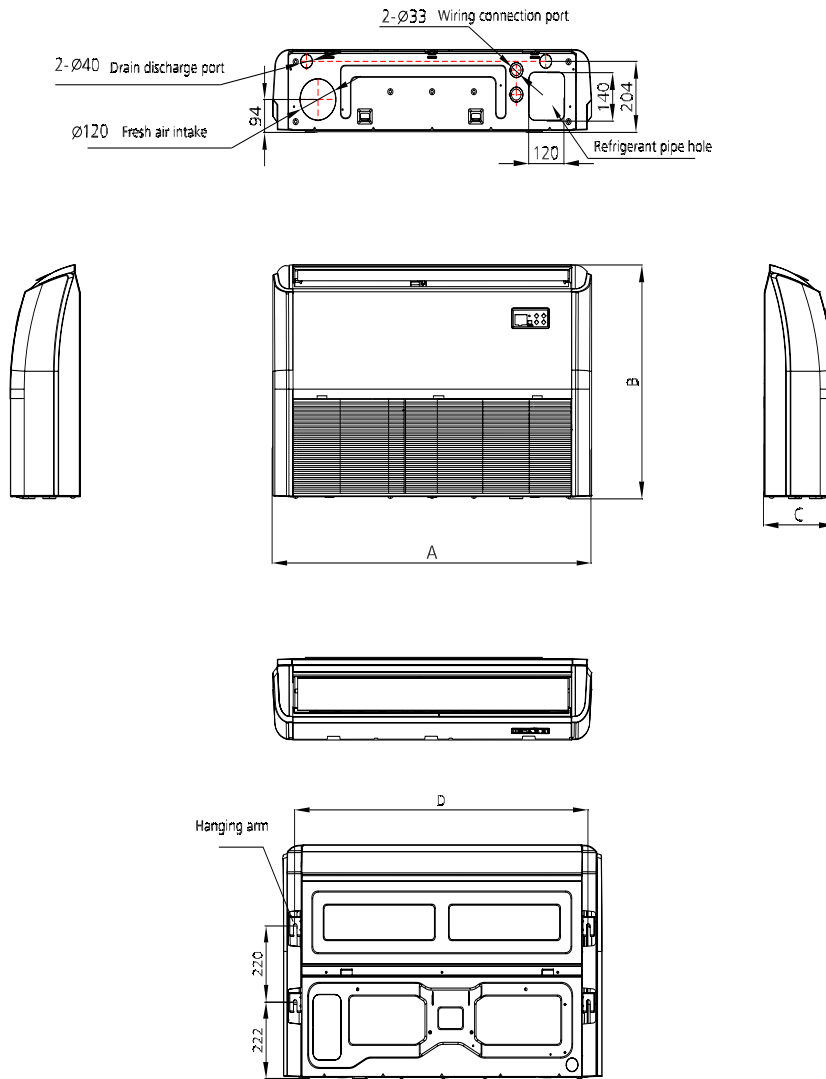
Cooling(T1): - Indoor Temperature 27°C(80.6°F) DB /19 °C(66.2°F) WB Heating: - Indoor Temperature 20°C(68°F) DB / 15°C(59°F) WB
 -Outdoor Temperature 35 °C(95°F) DB /24 °C(75.2°F) WB -Outdoor Temperature 7°C(44.6°F) DB / 6°C(42.8°F) WB
 -Interconnecting Piping Length 5m - Interconnecting Piping Length 5 m
 - Level Difference of Zero. - Level Difference of Zero.

2) Capacities are Net Capacities.

3) Due to our policy of innovation some specifications may be changed without notification.

3. Dimensional Drawings

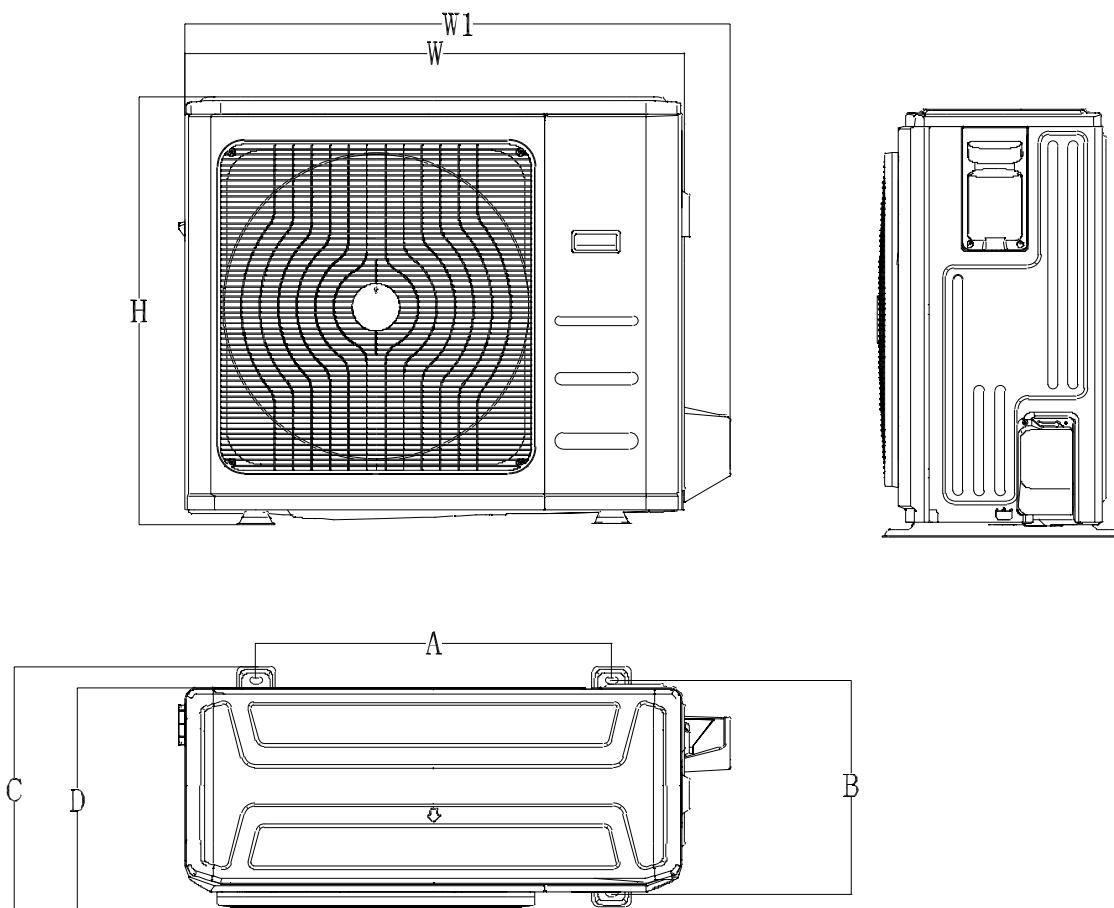
3.1 Indoor Unit



Model(KBtu/h)	Unit	A	B	C	D
18-24	mm	1068	675	235	983
	inch	42.05	26.57	9.25	38.7
30-60	mm	1650	675	235	1565
	inch	64.96	26.57	9.25	61.61

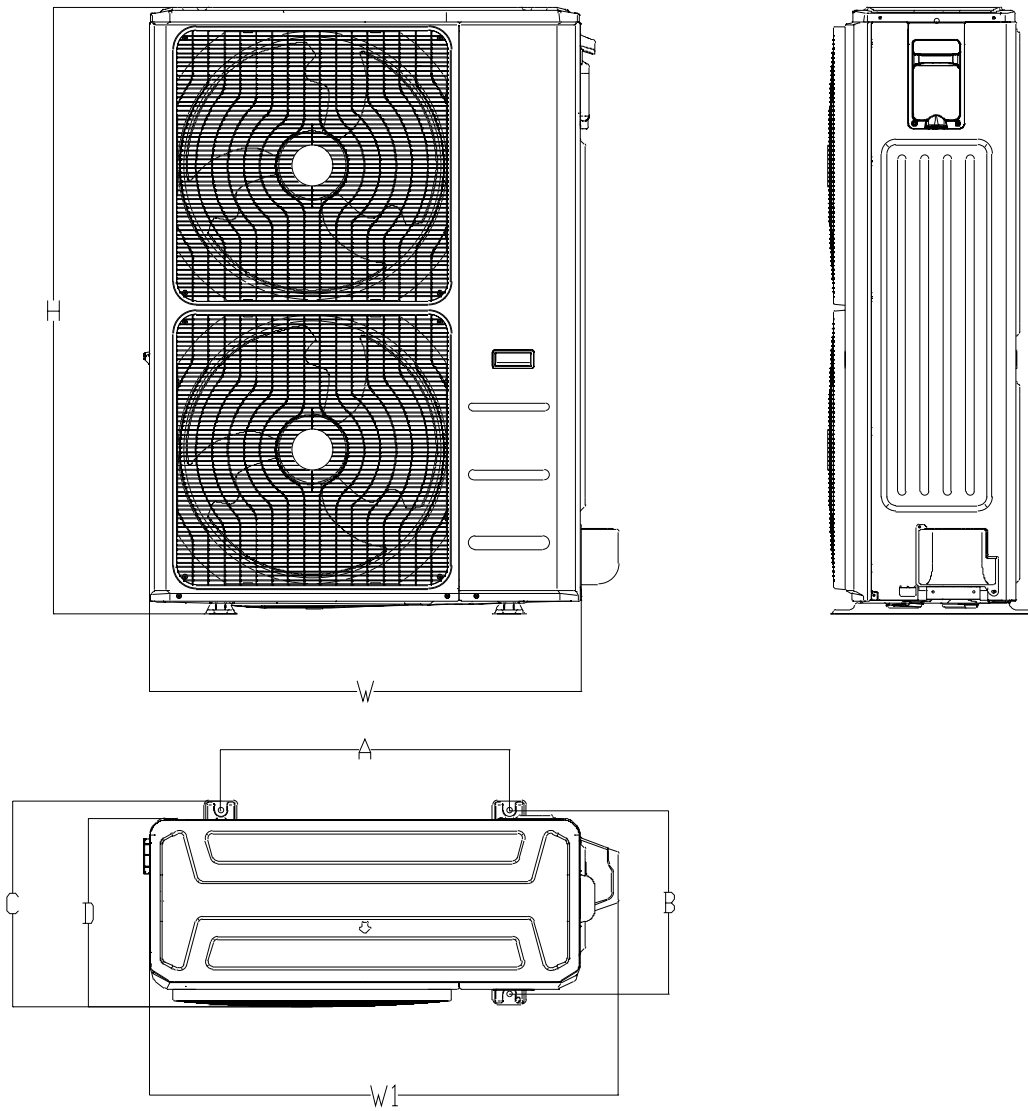
3.2 Outdoor Unit

Single Fan Outdoor Unit



Model(KBtu/h)	unit	W	D	H	W1	A	B	C
18	mm	800	333	554	870	514	340	365
	inch	31.49	13.11	21.81	34.25	20.23	13.39	14.37
24	mm	845	363	702	914	540	350	375
	inch	33.27	14.29	27.64	35.98	21.26	13.78	14.8
30~42	mm	946	410	810	1030	673	403	455
	inch	37.24	16.14	31.89	40.55	26.50	15.87	17.9

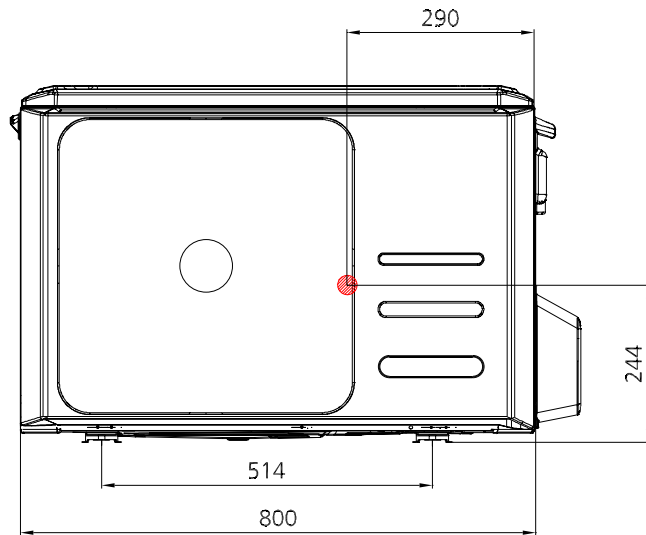
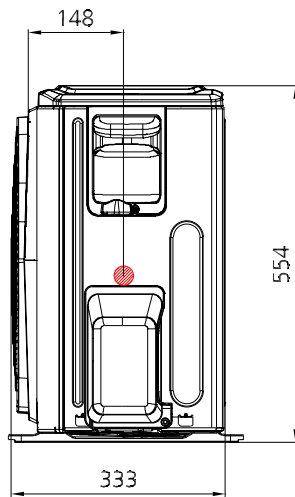
Double Fan Outdoor Unit



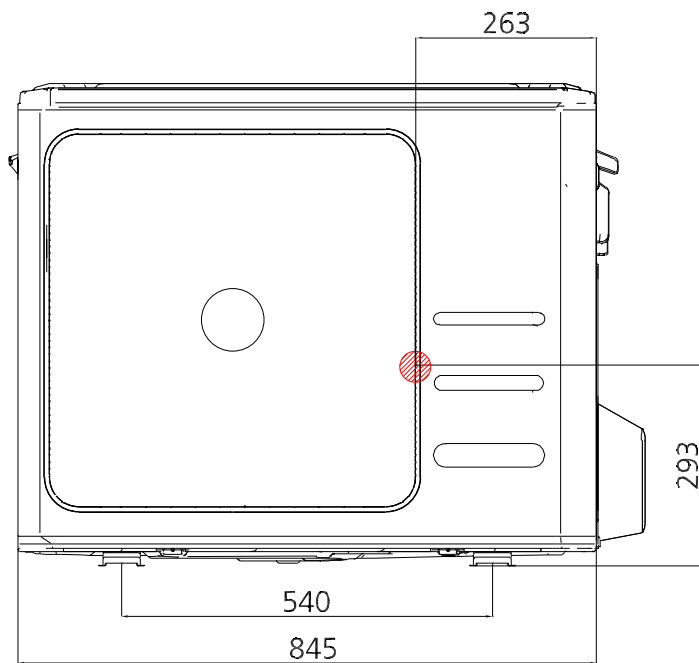
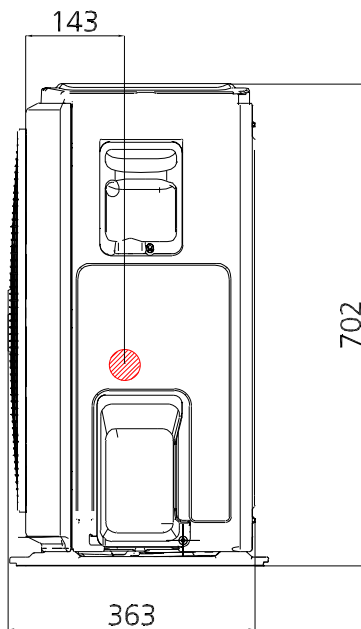
Model	unit	W	D	H	W1	A	B	C
48~55	mm	952	415	1333	1045	634	404	457
	inch	37.48	16.34	52.48	41.14	24.96	15.9	17.99

4. Centre of gravity

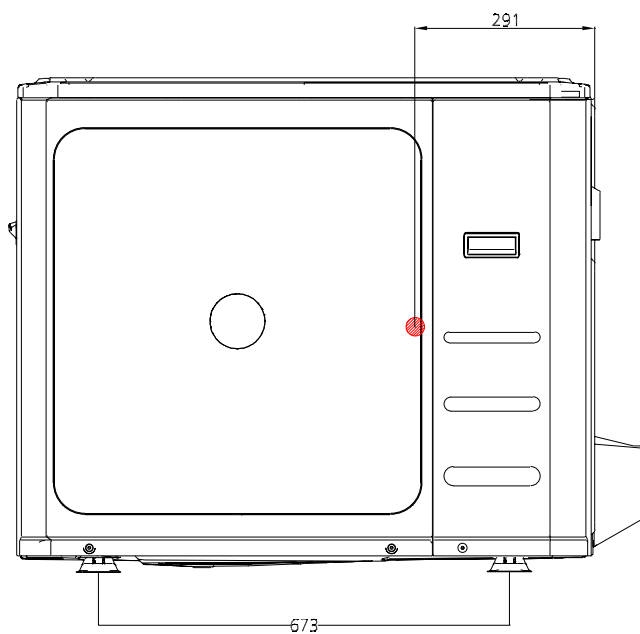
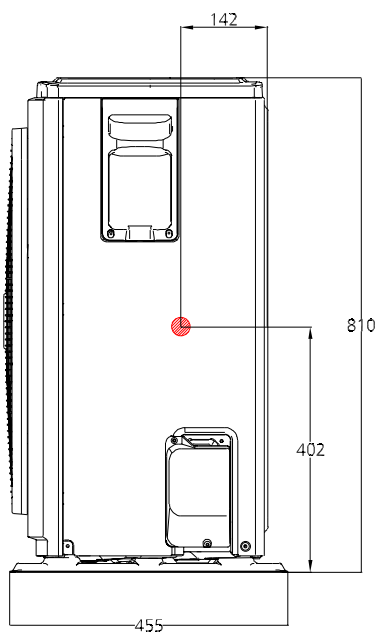
MOB30U-18HFN8-QRD0



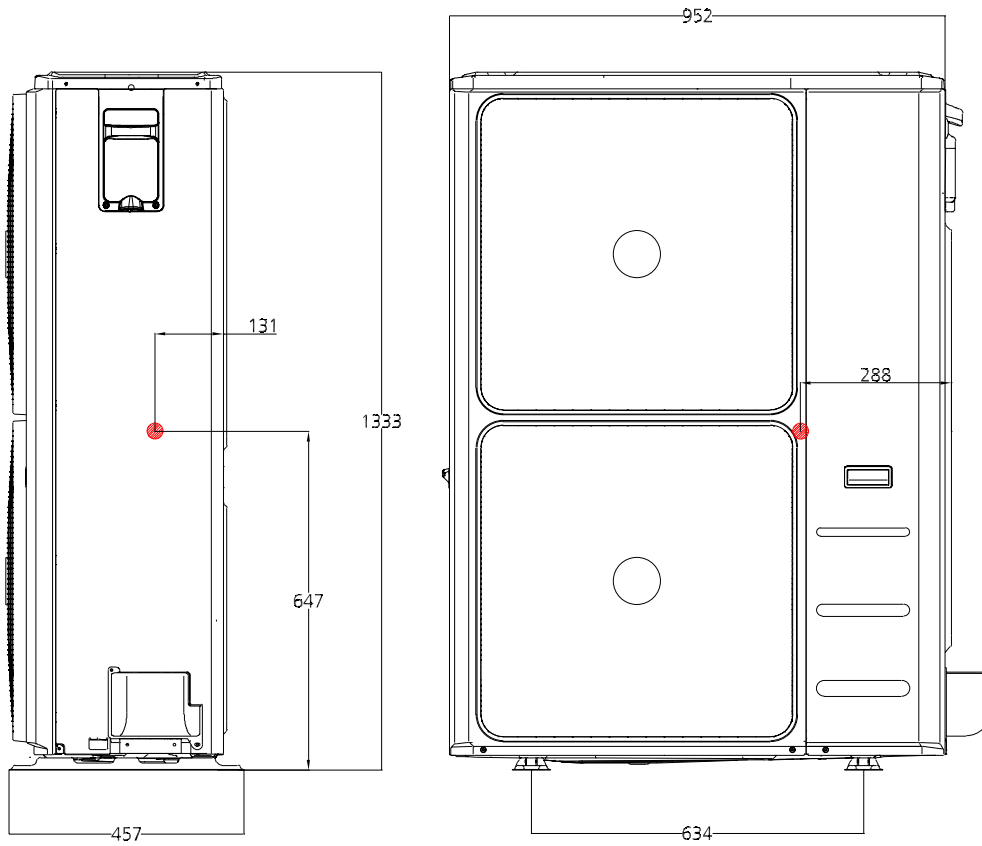
MOCA30U-24HFN8-QRD0



MOD30U-30HFN8-QRD0, MOD30U-36HFN8-QRD0, MOD30U-36HFN8-RRD0, MOD30U-42HFN8-QRD0



MOE30U-48HFN8-RRD0, MOE30U-55HFN8-RRD0

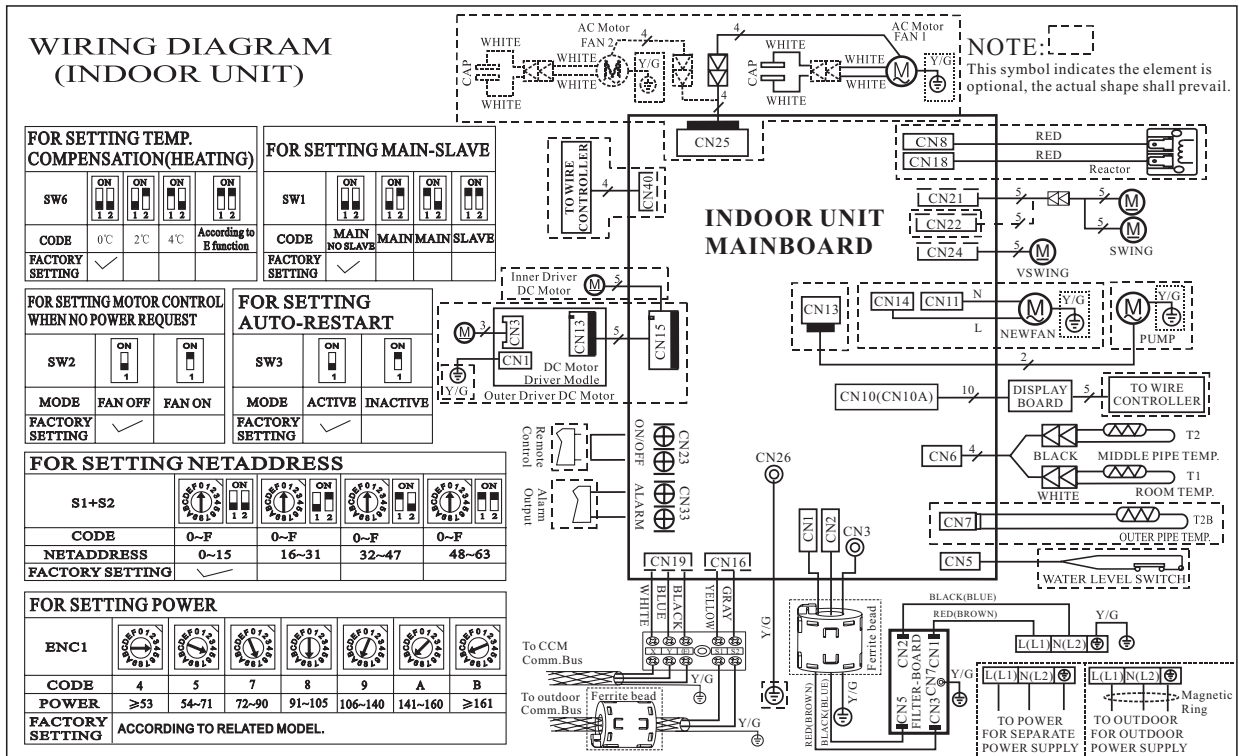


Specifications

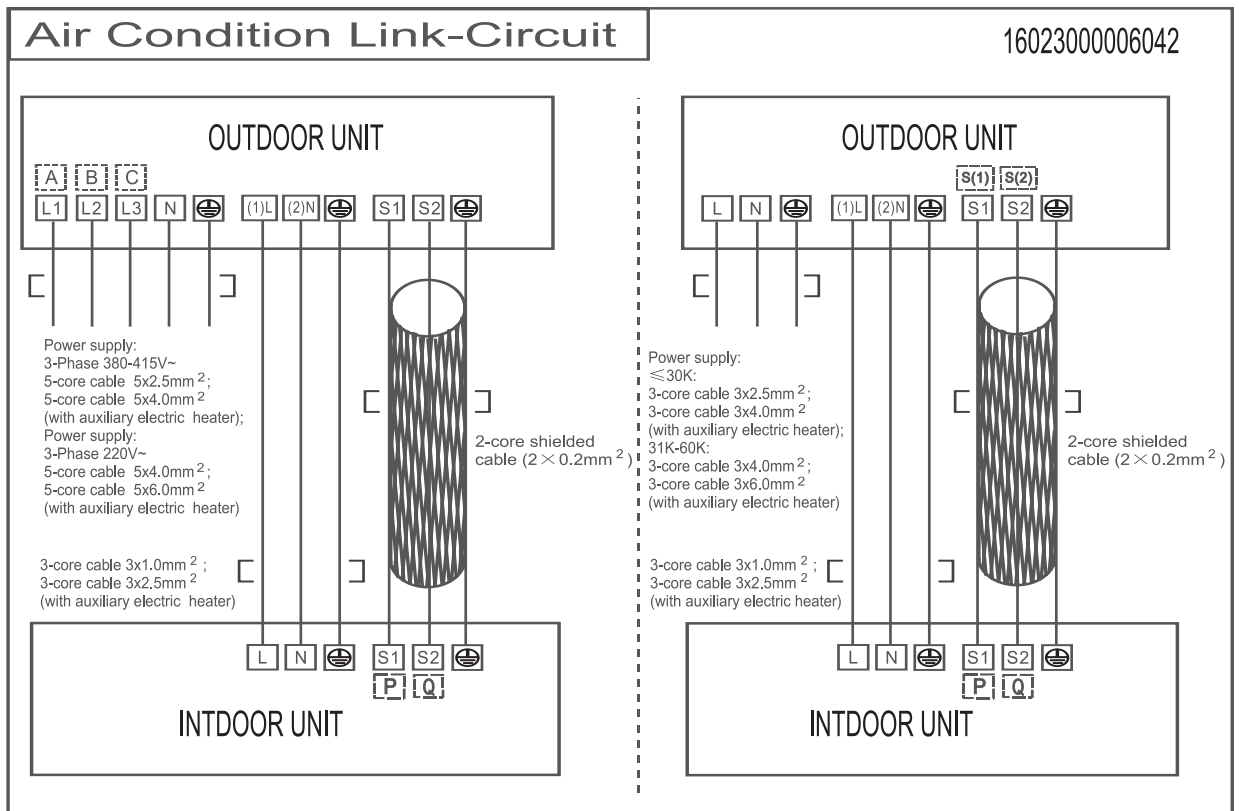
5. Electrical Wiring Diagrams

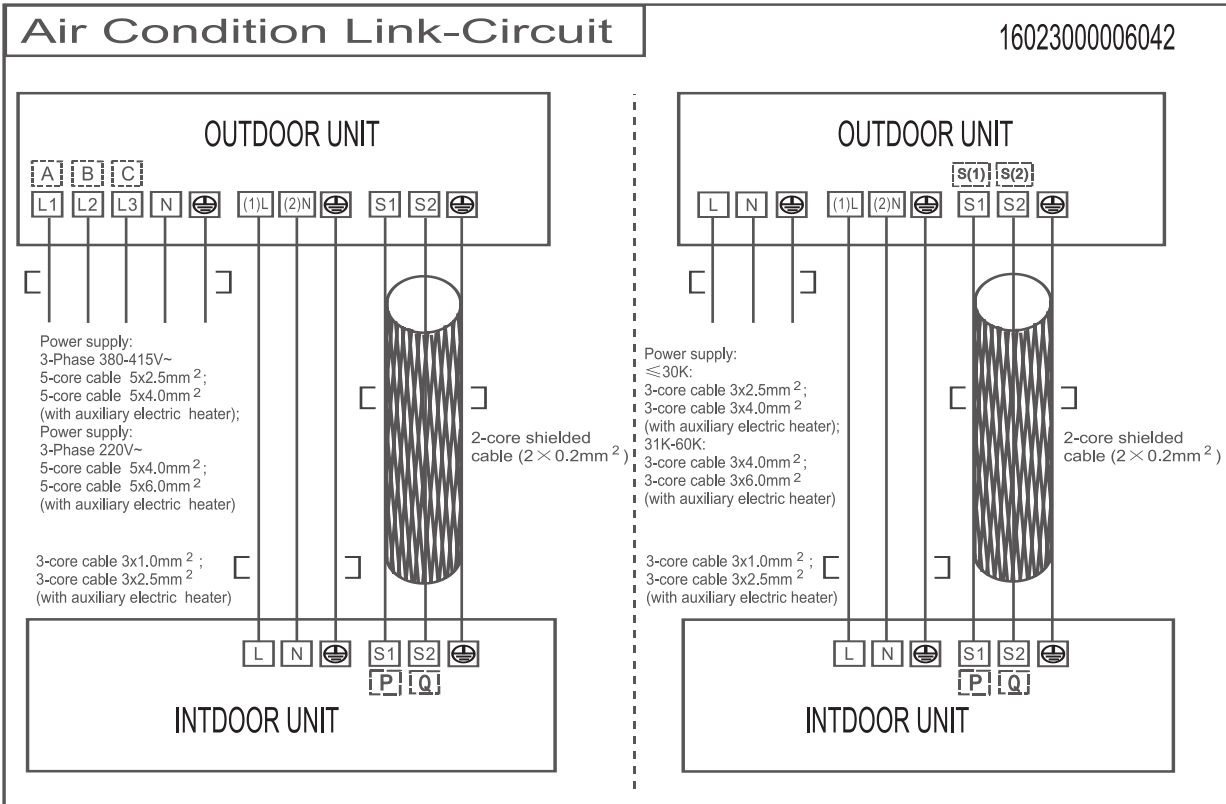
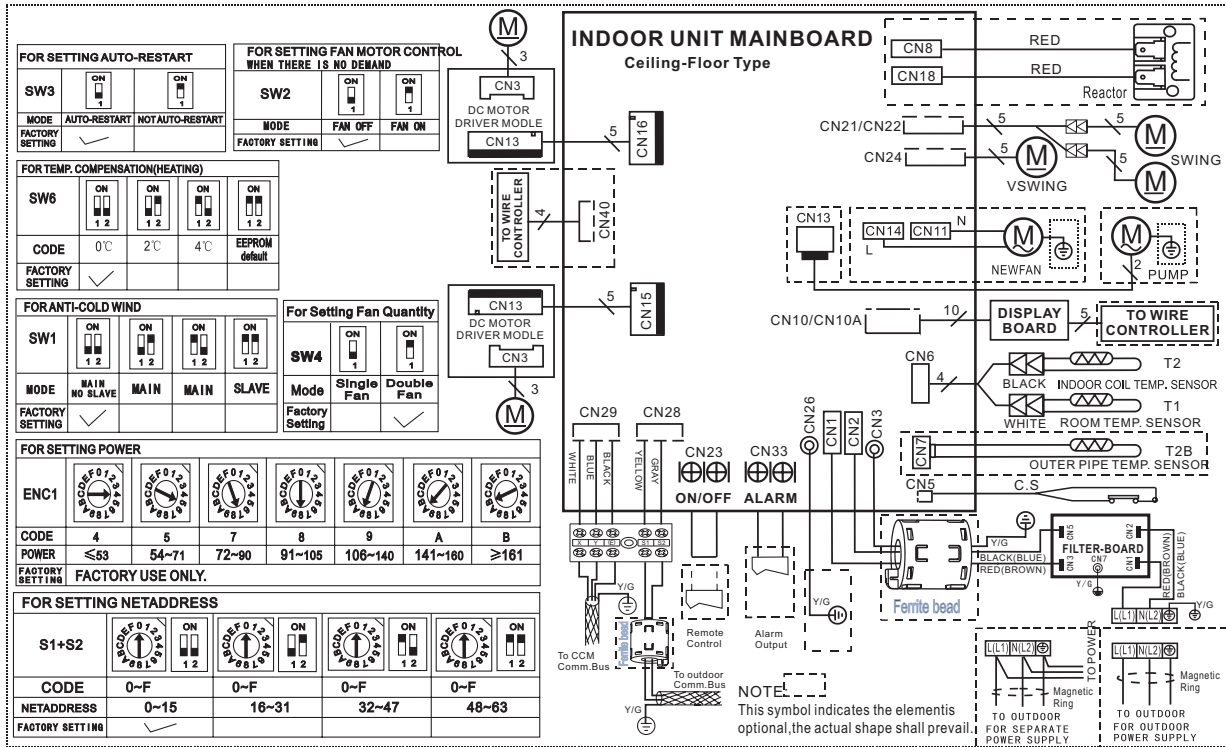
5.1 Indoor unit

Abbreviation	Paraphrase
Y/G	Yellow-Green Conductor
CAP1	Indoor Fan Capacitor
FAN	Indoor Fan
PUMP	PUMP
L	LIVE
N	NEUTRAL
TO CCM Comm.Bus	Central Controller
T1	Indoor Room Temperature
T2	Coil Temperature of Indoor Heat Exchanger
P1	Super High Speed
P2	High Speed

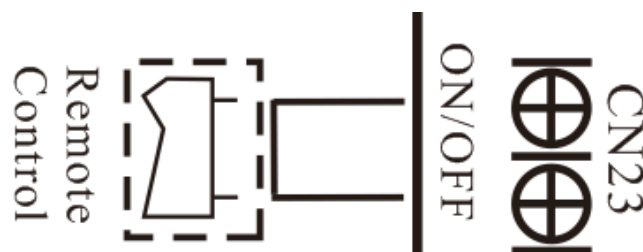


Specifications





5.2 Some connectors introduce:

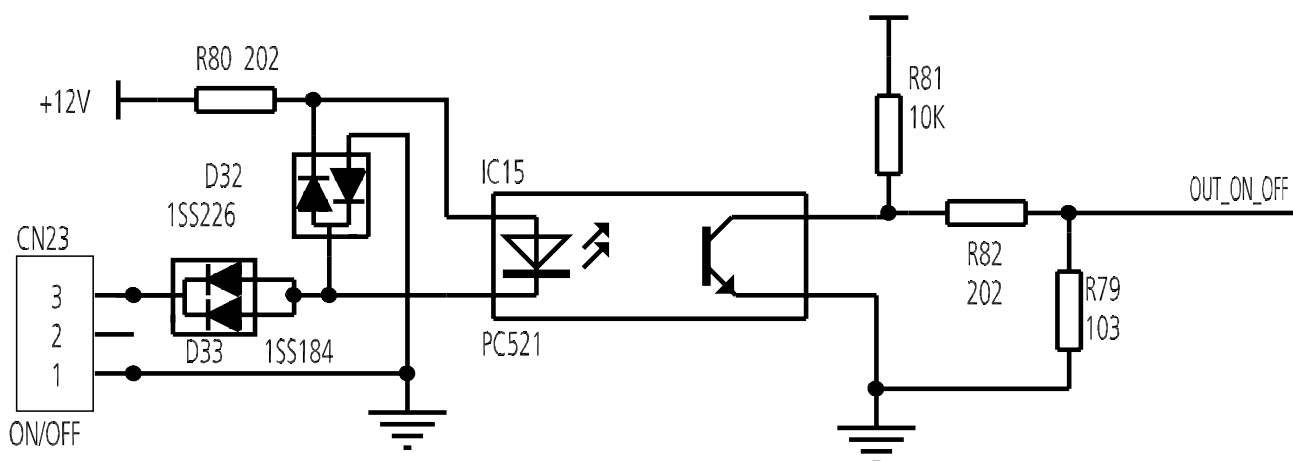


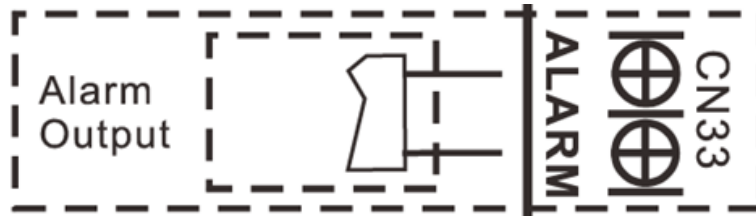
A For remote control (ON-OFF) terminal port CN23

1. Remove the short connector in CN23 when you use ON-OFF function;
2. When remote switch off (OPEN), the unit would be off;
3. When remote switch on (CLOSE), the unit would be on;
4. When close/open the remote switch, the unit would be responded the demand within 2 seconds;
5. When the remote switch on. You can use remote controller/wire controller to select the mode what you want; when the remote switch off, the unit would not respond the demand from remote controller/wire controller.

When the remote switch off, but the remote controller/wire controller are on, CP code would be shown on the display board.

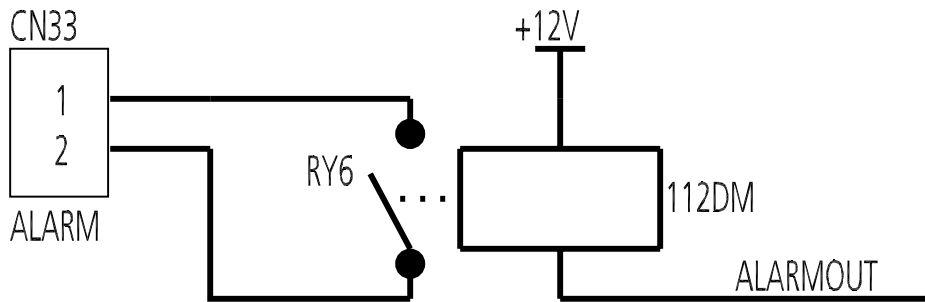
6. The voltage of the port is 12V DC, design Max. current is 5mA.

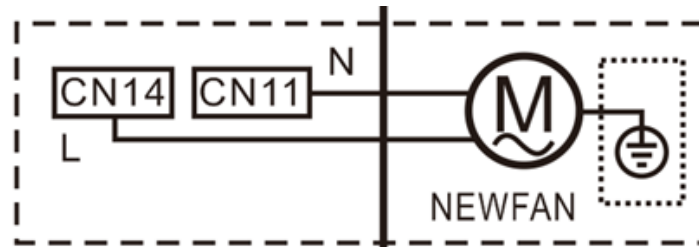




B For ALARM terminal port CN33.

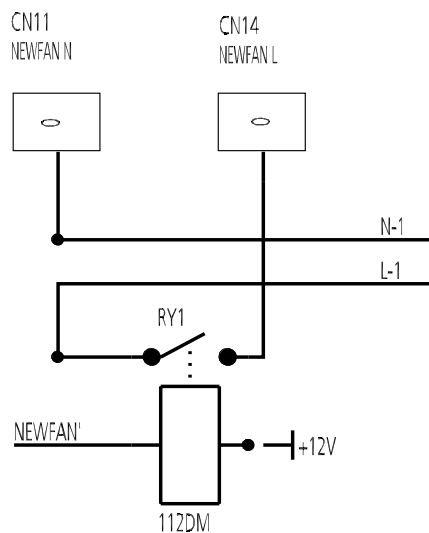
1. Provide the terminal port to connect ALARM, but no voltage of the terminal port , the power from the ALARM system (not from the unit).
2. Although design voltage can support higher voltage, but we strongly ask you connect the power less than 24V, current less than 0.5A.
3. When the unit occurs the problem, the relay would be closed, then ALARM works.





C. For new fresh motor terminal port CN14&CN14.

1. Connect the fan motor to the port, no need care L/N of the motor;
2. The output voltage is the power supply;
3. The fresh motor cannot exceed 200W or 1A, follow the smaller one;
4. The new fresh motor will be worked when the indoor fan motor work ;when the indoor fan motor stops, the new fresh motor would be stopped;
5. When the unit enter force cooling mode or capacity testing mode, the fresh motor isn't work.



5.3 Micro-Switch Introduce:



FOR SETTING MAIN-SLAVE				
SW1				
CODE	MAIN NO SLAVE	MAIN	MAIN	SLAVE
FACTORY SETTING	✓			

A. Micro-switch SW1 is for setting the master or slave unit when the unit is in twin connection.

Range: Master no slave (Normal 1 drive 1 connection), Master (2 positions without difference), Slave



FOR SETTING FAN MOTOR CONTROL WHEN THERE IS NO DEMAND		
SW2		
MODE	FAN OFF	FAN ON
FACTORY SETTING	✓	

B. Micro-switch SW2 is for selection of indoor FAN ACTION if room temperature reaches the setpoint and the compressor stops.

Range: OFF (in 127s), Keep running.



FOR SETTING AUTO-RESTART		
SW3		
MODE	AUTO-RESTART	NOT AUTO-RESTART
FACTORY SETTING	✓	

C. Micro-switch SW3 is for selection of auto-restart function.

Range: Active, inactive



For Setting Fan Quantity		
SW4		
Mode	Single Fan	Double Fan
Factory Setting		✓

D. Micro-switch SW4 is for selection of quantity of fan motors. Same as size selection switch, this switch is for making the PCB suitable for all series units. DO NOT change it at random unless you want to use the PCB as a spare part

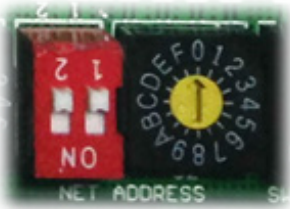
Range: Single Fan, Double Fan



FOR SETTING TEMP. COMPENSATION(HEATING)				
SW6				
CODE	0°C	2°C	4°C	According to B function
FACTORY SETTING	✓			

E. Micro-switch SW6 is for selection of temperature compensation in heating mode. This helps to reduce the real temperature difference between ceiling and floor so that the unit could run properly. If the unit is on-floor installed, 0 should be chosen.

Range: 0°C, 2°C, 4°C, E function (reserved for special customizing)



FOR SETTING NETADDRESS				
S1+S2				
CODE	0~F	0~F	0~F	0~F
NETADDRESS	0~15	16~31	32~47	48~63
FACTORY SETTING	✓			

F. Micro-switch S1 and dial-switch S2 are for address setting when you want to control this unit by a central controller.

Range: 00-63



FOR SETTING POWER(FACTORY USE ONLY)							
ENC1							
CODE	4	5	7	8	9	A	B
POWER	≤53	54~71	72~90	91~105	106~140	141~160	≥161
FACTORY SETTING	ACCORDING TO RELATED MODEL.						

G. Dial-switch ENC1: The indoor PCB is universal designed for whole series units from 18K to 55K. This ENC1 setting will tell the main program what size the unit is.

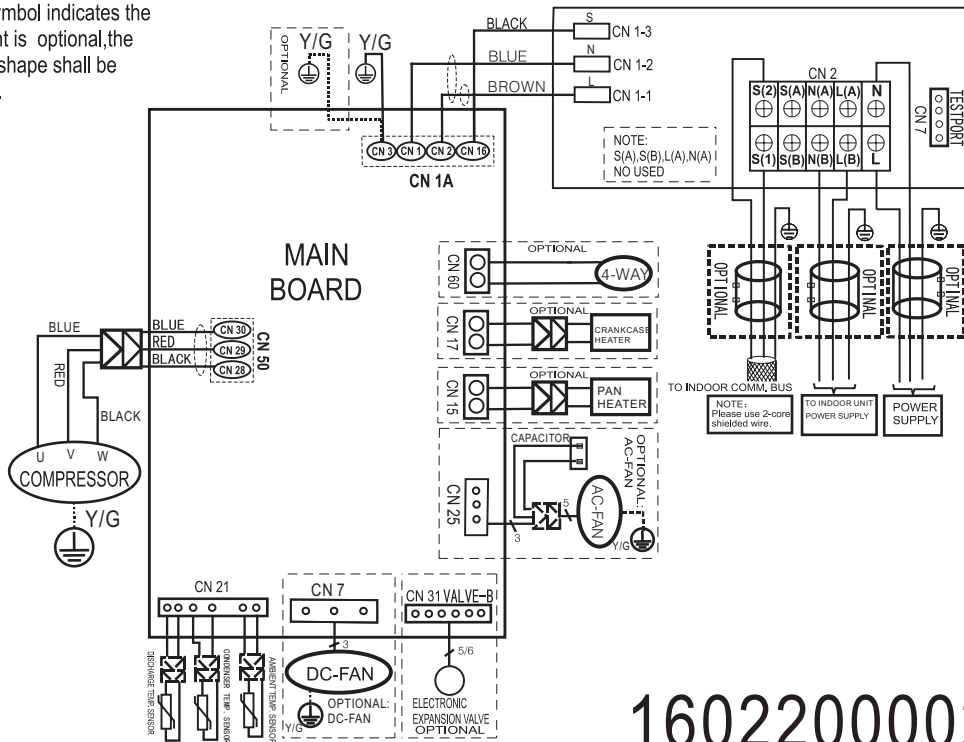
NOTE: Usually there is glue on it because the switch position cannot be changed at random unless you want to use this PCB as a spare part to use in another unit. Then you have to select the right position to match the size of the unit.

“53” means 5.3kW (18K), “105” means 10.5kW(36K), and so on.

5.4 Outdoor Unit

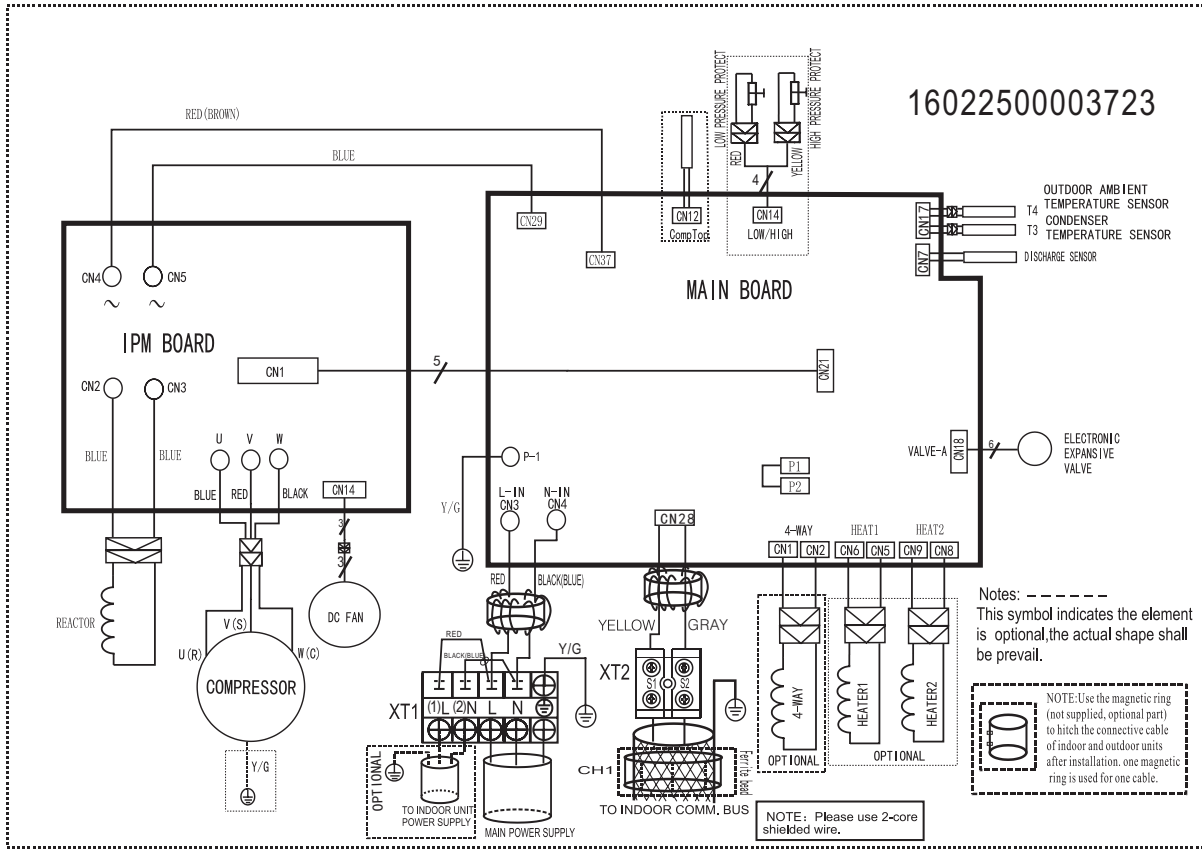
Abbreviation	Paraphrase
CAP1, CAP2, CAP3,CAP4	Capacitor
FAN1	Outdoor Fan Motor
KM8	Contactora
CT1, CT2	AC Current Detector
COMP	Compressor
L-PRO, K2	Low Pressure Switch/Shorting Stub
K1	High Pressure Switch/Shorting Stub
TRANS	Power Transformer
T4	10KΩ RESISTANCE/Outdoor Ambient Temperature
T3	10KΩ RESISTANCE/Coil Temperature of Condenser
XT1	2-Way Terminal/4-Way Terminal
XT2	3-Way Terminal
XT4	Terminal
K3	Compressor Discharge Temperature/Shorting Stub
XP1~XP5,XT5~XT7	Connectors

Notes: - - - - -
 This symbol indicates the element is optional, the actual shape shall be prevail.

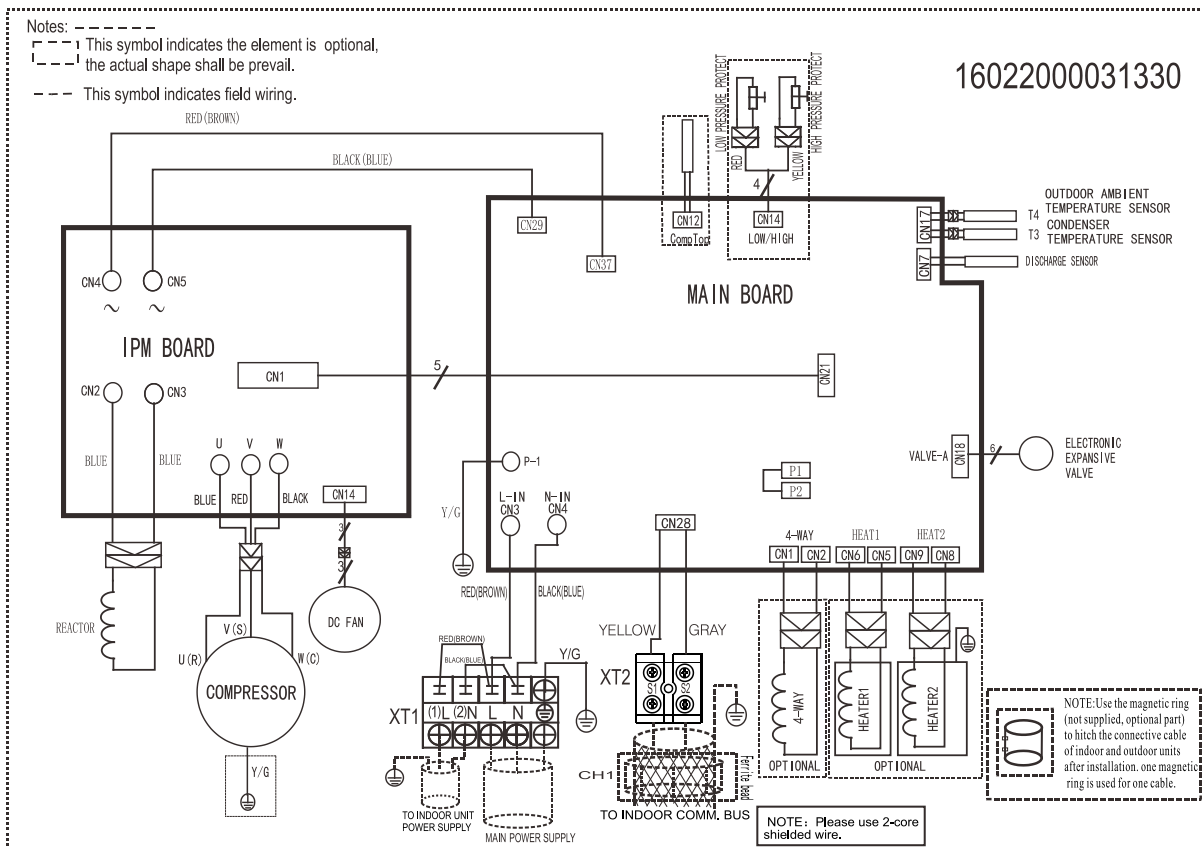


16022000026369

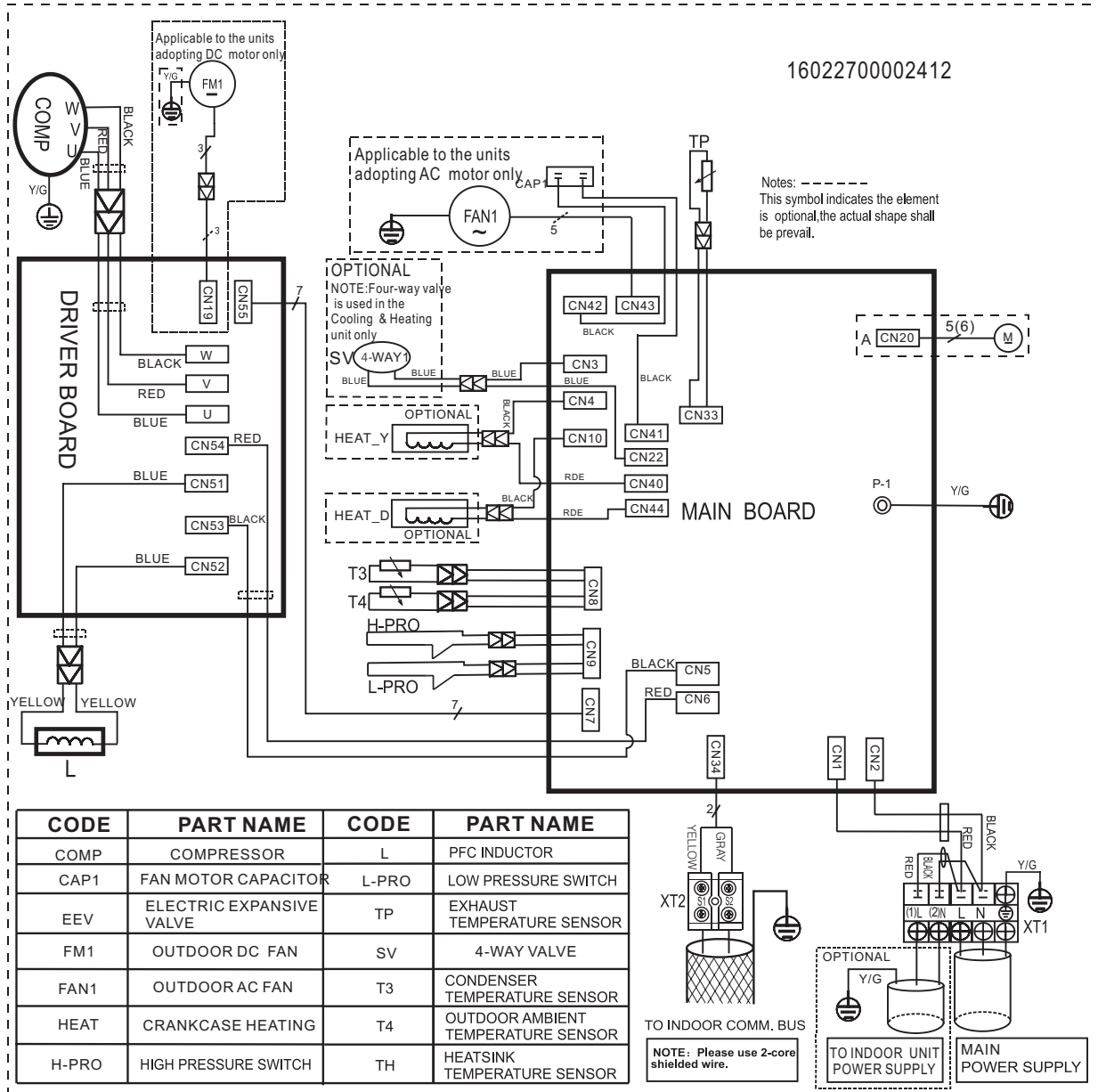
MOCA30U-24HFN8-QRDO

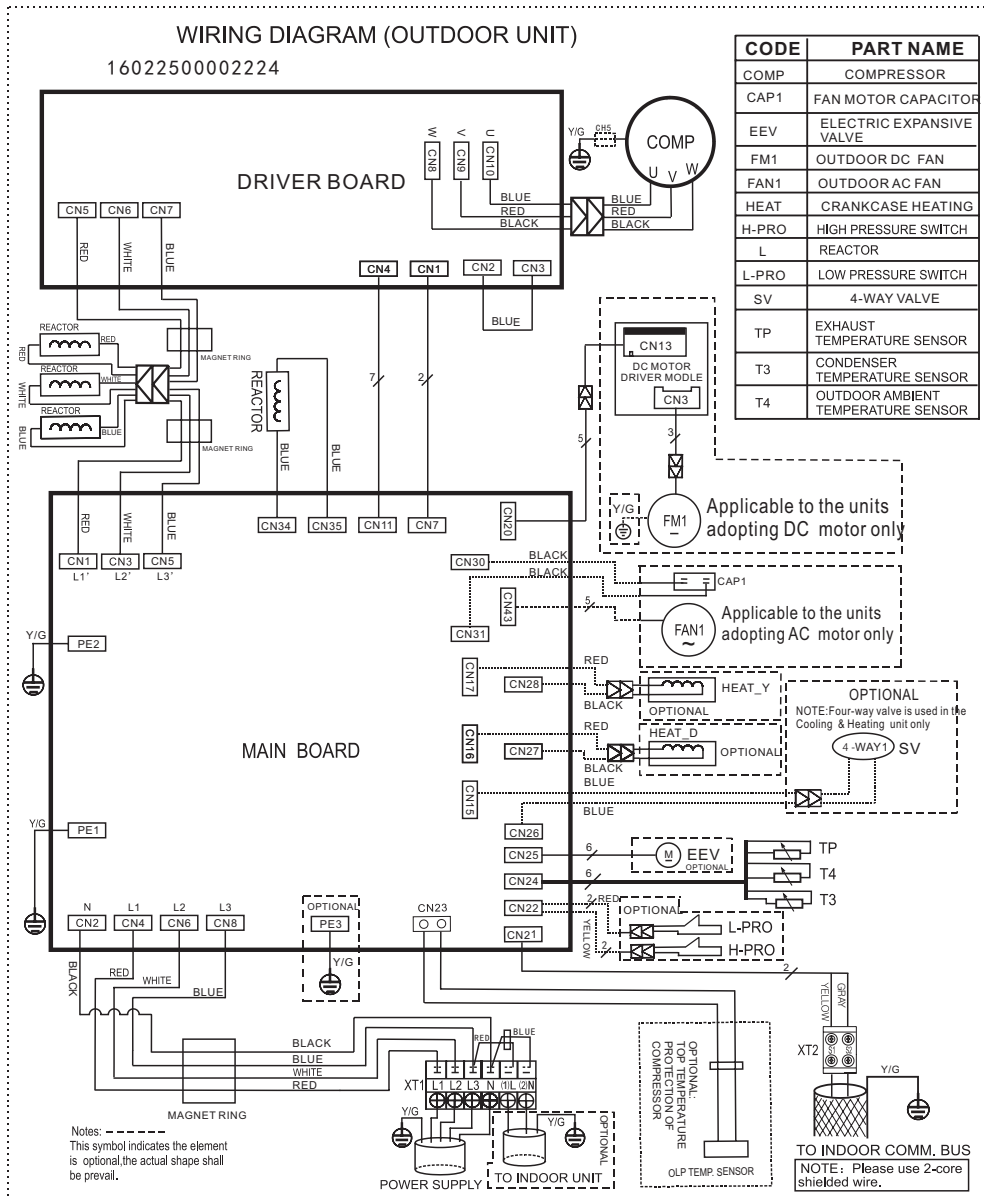


MOD30U-30HFN8-QRDO

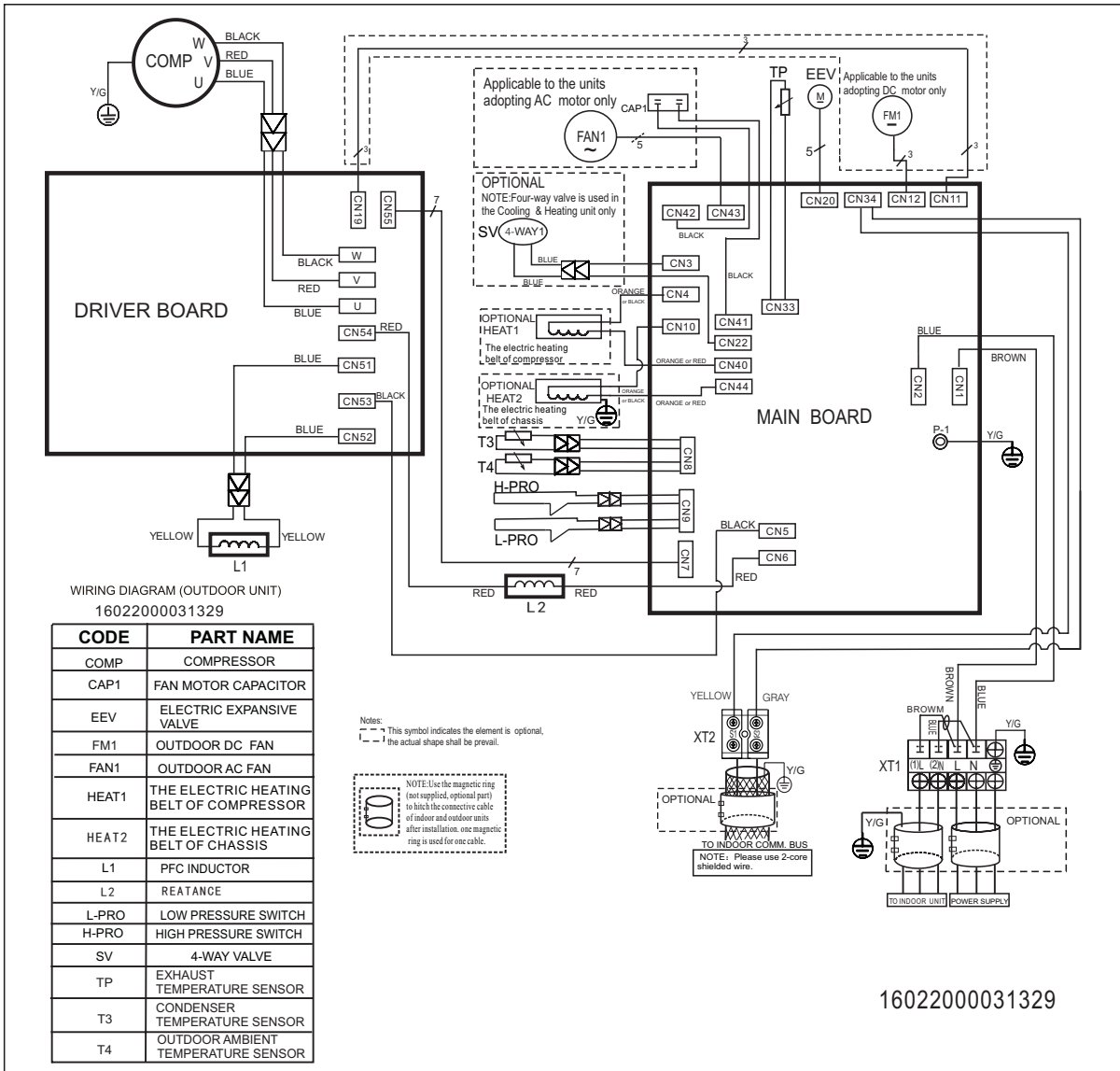


16022700002412

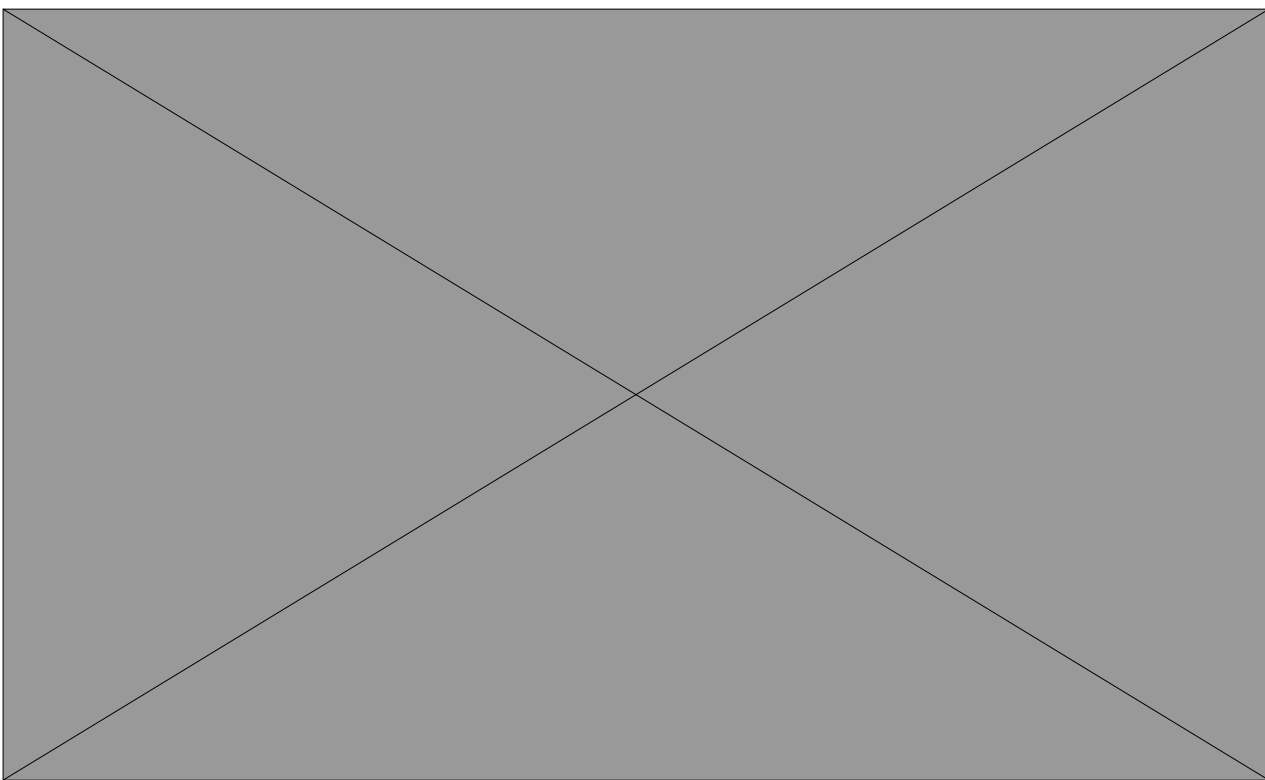




MOD30U-42HFN8-QRDO

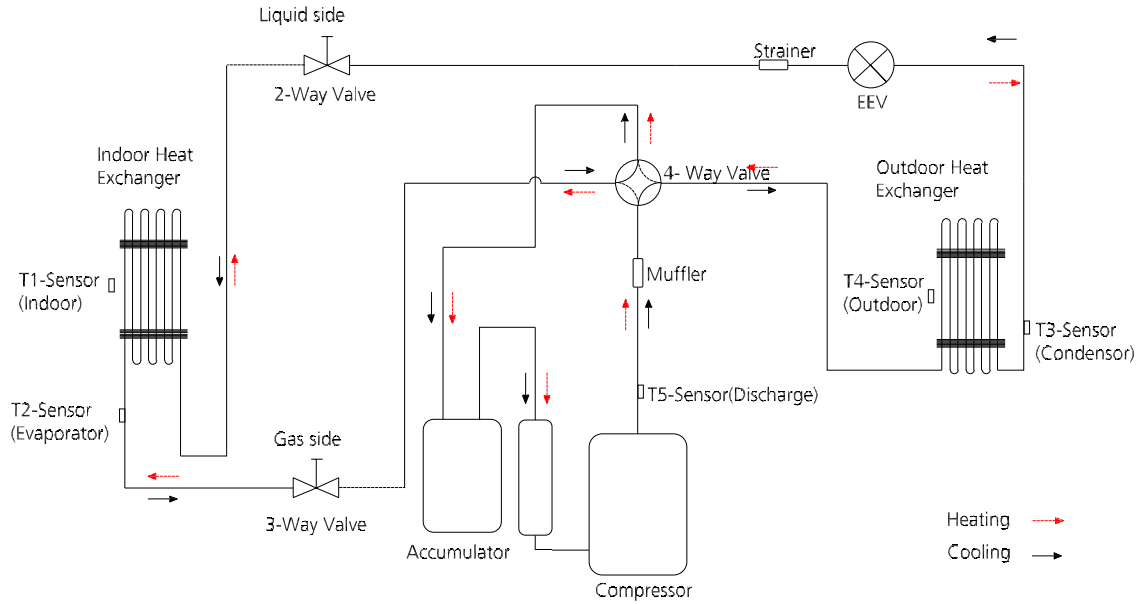


MOE30U-48HFN8-RRD0, MOE30U-55HFN8-RRD0

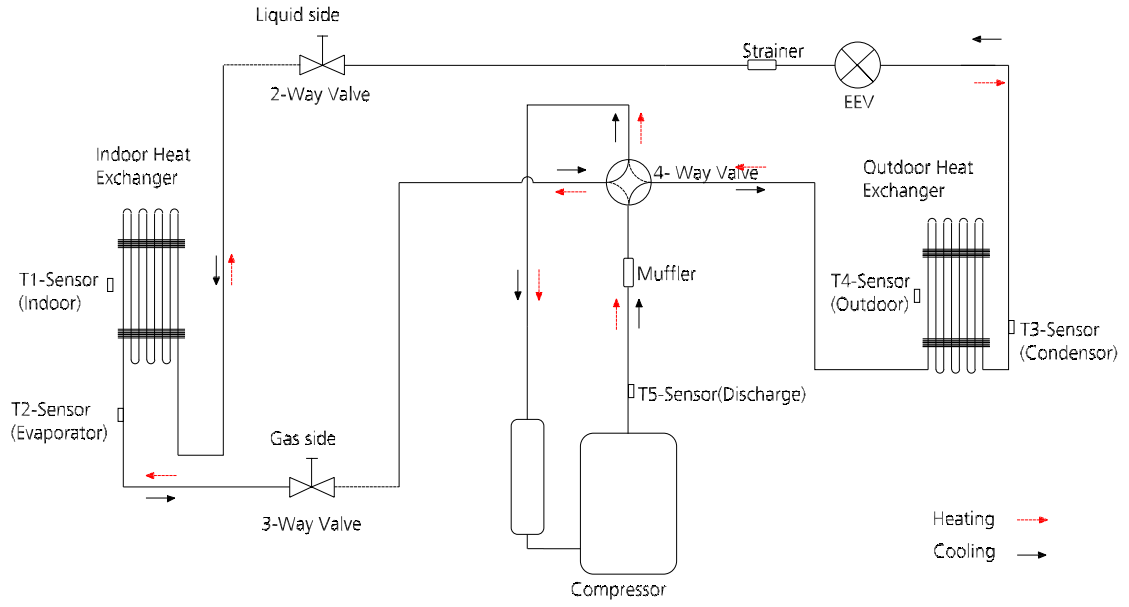


6. Refrigerant Cycle Diagrams

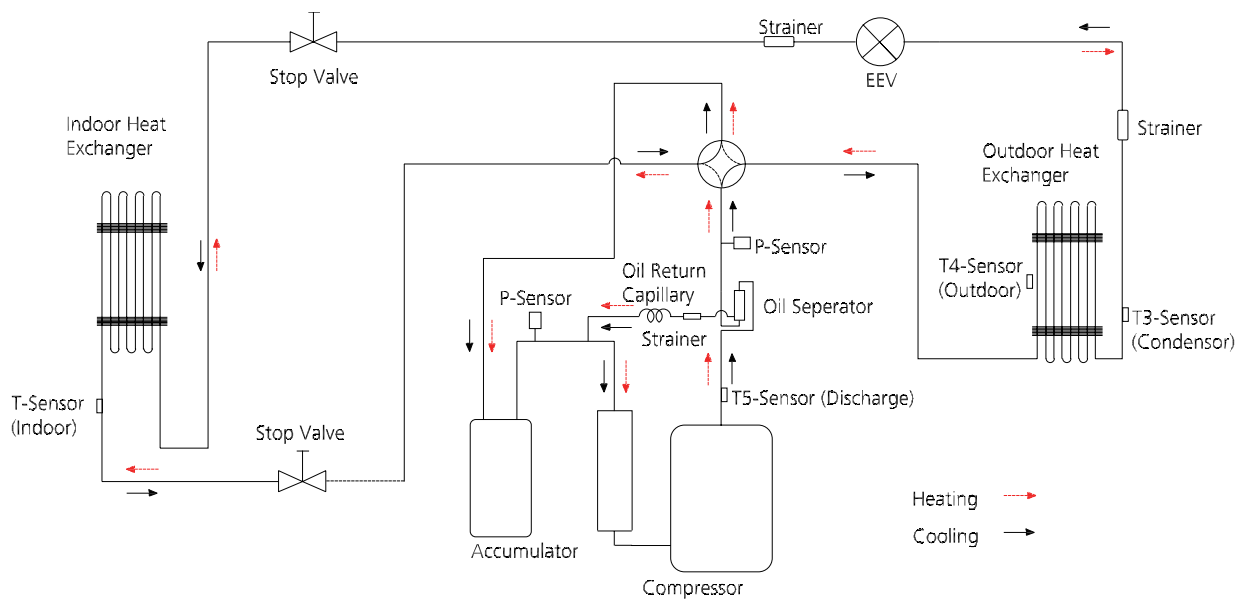
6.1 Heat pump



Model No.	Pipe Size (Diameter:ø) mm(inch)		Piping length (m/ft)		Elevation (m/ft)		Additional Refrigerant
	Gas	Liquid	Rated	Max.	Rated	Max.	
MOB30U-18HFN8-QRD0	12.7(1/2)	6.35(1/4)	5/16.4	30/98.4	0	20/65.6	12g/m (0.13oz/ft)



Model No.	Pipe Size (Diameter:ø) mm(inch)		Piping length (m/ft)		Elevation (m/ft)		Additional Refrigerant
	Gas	Liquid	Rated	Max.	Rated	Max.	
MOCA30U-24HFN8-QRD0	15.9(5/8)	9.52(3/8)	5/16.4	50/164.0	0	25/82	24g/m (0.26oz/ft)
MOD30U-30HFN8-QRD0	15.9(5/8)	9.52(3/8)	5/16.4	50/164.0	0	25/82	24g/m (0.26oz/ft)



Model No.	Pipe Size (Diameter:ø) mm(inch)		Piping length (m/ft)		Elevation (m/ft)		Additional Refrigerant
	Gas	Liquid	Rated	Max.	Rated	Max.	
MOD30U-36HFN8-QRD0	15.9(5/8)	9.52(3/8)	5/16.4	65/213.3	0	30/98.4	24g/m (0.26oz/ft)
MOD30U-36HFN8-RRD0	15.9(5/8)	9.52(3/8)	5/16.4	65/213.3	0	30/98.4	24g/m (0.26oz/ft)
MOD30U-42HFN8-QRD0	15.9(5/8)	9.52(3/8)	5/16.4	65/213.3	0	30/98.4	24g/m (0.26oz/ft)
MOE30U-48HFN8-RRD0	15.9(5/8)	9.52(3/8)	5/16.4	65/213.3	0	30/98.4	24g/m (0.26oz/ft)
MOE30U-55HFN8-RRD0	15.9(5/8)	9.52(3/8)	5/16.4	65/213.3	0	30/98.4	24g/m (0.26oz/ft)

7. Capacity Tables

7.1 Cooling

MUE-18HRFNX-QRDO+MOB30U-18HFN8-QRDO																			
INDOOR AIRFLOW (CMH)	OUTDOOR DB (C)	ID WB (C)	16.0				18.0				19.0				22.0				
		ID DB (C)	23.0	25.0	27.0	30.0	23.0	25.0	27.0	30.0	23.0	25.0	27.0	30.0	23.0	25.0	27.0	30.0	
677	27	TC	5.1	5.1	5.1	5.2	5.3	5.3	5.3	5.4	5.5	5.5	5.5	5.5	5.9	5.9	5.9	5.9	
		S/T	0.68	0.80	0.88	1.00	0.57	0.69	0.76	0.88	0.50	0.62	0.69	0.81	0.35	0.45	0.51	0.63	
		PI	1.39	1.39	1.39	1.39	1.39	1.39	1.39	1.39	1.39	1.39	1.39	1.39	1.39	1.39	1.39	1.39	1.39
	30	TC	5.0	5.0	5.0	5.1	5.2	5.2	5.2	5.2	5.3	5.3	5.3	5.3	5.7	5.7	5.7	5.7	
		S/T	0.69	0.81	0.88	1.00	0.58	0.69	0.77	0.90	0.51	0.62	0.69	0.82	0.34	0.45	0.52	0.64	
		PI	1.46	1.46	1.46	1.46	1.46	1.46	1.46	1.46	1.47	1.47	1.47	1.47	1.47	1.47	1.47	1.47	
	32	TC	4.9	4.9	4.9	5.0	5.1	5.1	5.1	5.1	5.2	5.2	5.2	5.2	5.7	5.7	5.7	5.7	
		S/T	0.69	0.82	0.89	1.00	0.58	0.70	0.77	0.91	0.51	0.62	0.69	0.83	0.34	0.45	0.52	0.64	
		PI	1.52	1.52	1.52	1.52	1.52	1.52	1.52	1.52	1.52	1.52	1.52	1.52	1.52	1.53	1.53	1.53	
	35	TC	4.7	4.7	4.7	4.8	4.9	4.9	4.9	5.0	5.1	5.1	5.2	5.1	5.5	5.5	5.5	5.5	
		S/T	0.70	0.83	0.90	1.00	0.58	0.71	0.78	0.92	0.51	0.63	0.70	0.84	0.34	0.45	0.52	0.65	
		PI	1.60	1.60	1.60	1.60	1.60	1.60	1.60	1.60	1.61	1.61	1.61	1.61	1.62	1.62	1.62	1.62	
	43	TC	4.3	4.3	4.3	4.3	4.5	4.5	4.5	4.5	4.6	4.6	4.6	4.7	5.0	5.0	5.0	5.0	
		S/T	0.72	0.86	0.94	1.00	0.59	0.73	0.81	0.96	0.51	0.65	0.73	0.88	0.33	0.46	0.53	0.67	
		PI	1.86	1.86	1.86	1.86	1.87	1.87	1.87	1.87	1.88	1.88	1.88	1.88	1.89	1.89	1.89	1.89	
	46	TC	4.1	4.1	4.1	4.2	4.3	4.3	4.3	4.3	4.5	4.5	4.5	4.5	4.8	4.8	4.8	4.8	
		S/T	0.72	0.88	0.96	1.00	0.60	0.74	0.83	0.98	0.51	0.65	0.74	0.89	0.33	0.46	0.54	0.68	
		PI	1.96	1.96	1.96	1.96	1.97	1.97	1.97	1.97	1.98	1.98	1.98	1.98	1.99	1.99	1.99	1.99	
	52	TC	3.7	3.8	3.8	3.8	3.9	3.9	3.9	3.9	4.0	4.0	4.0	4.1	4.4	4.4	4.4	4.4	
		S/T	0.75	0.91	1.00	1.00	0.61	0.77	0.86	1.00	0.52	0.67	0.77	0.94	0.32	0.46	0.55	0.71	
		PI	2.22	2.22	2.22	2.22	2.22	2.22	2.22	2.22	2.23	2.23	2.23	2.23	2.25	2.25	2.25	2.25	
	786	27	TC	5.2	5.2	5.3	5.3	5.5	5.5	5.5	5.5	5.6	5.6	5.6	5.6	6.0	6.0	6.0	6.0
			S/T	0.70	0.84	0.92	1.00	0.59	0.72	0.80	0.94	0.51	0.64	0.71	0.86	0.34	0.45	0.53	0.66
			PI	1.41	1.41	1.41	1.41	1.41	1.41	1.41	1.41	1.41	1.41	1.41	1.41	1.41	1.42	1.42	1.42
30		TC	5.1	5.1	5.1	5.2	5.3	5.3	5.3	5.4	5.5	5.5	5.5	5.5	5.9	5.9	5.9	5.9	
		S/T	0.71	0.85	0.93	1.00	0.59	0.72	0.80	0.95	0.51	0.64	0.72	0.87	0.33	0.46	0.53	0.67	
		PI	1.49	1.49	1.49	1.49	1.49	1.49	1.49	1.49	1.49	1.49	1.49	1.49	1.50	1.50	1.50	1.50	
32		TC	5.0	5.0	5.0	5.1	5.2	5.2	5.2	5.2	5.4	5.4	5.4	5.4	5.8	5.8	5.8	5.8	
		S/T	0.72	0.86	0.94	1.00	0.59	0.73	0.81	0.96	0.51	0.65	0.73	0.88	0.33	0.46	0.53	0.67	
		PI	1.54	1.54	1.54	1.54	1.55	1.55	1.55	1.55	1.55	1.55	1.55	1.55	1.56	1.56	1.56	1.56	
35		TC	4.8	4.8	4.9	4.9	5.0	5.0	5.0	5.1	5.2	5.2	5.3	5.3	5.6	5.6	5.6	5.6	
		S/T	0.72	0.87	0.96	1.00	0.59	0.74	0.82	0.98	0.51	0.65	0.73	0.88	0.33	0.46	0.54	0.68	
		PI	1.63	1.63	1.63	1.63	1.63	1.63	1.63	1.63	1.64	1.64	1.64	1.64	1.64	1.64	1.64	1.64	
43		TC	4.4	4.4	4.4	4.5	4.6	4.6	4.6	4.6	4.7	4.7	4.7	4.8	5.1	5.1	5.1	5.1	
		S/T	0.75	0.91	1.00	1.00	0.61	0.76	0.86	1.00	0.52	0.67	0.76	0.93	0.32	0.46	0.55	0.71	
		PI	1.90	1.90	1.90	1.90	1.91	1.91	1.91	1.91	1.91	1.91	1.91	1.91	1.92	1.92	1.92	1.92	
46		TC	4.2	4.2	4.2	4.3	4.4	4.4	4.4	4.5	4.5	4.5	4.5	4.6	4.9	4.9	4.9	4.9	
		S/T	0.76	0.93	1.00	1.00	0.61	0.78	0.88	1.00	0.52	0.68	0.78	0.95	0.32	0.47	0.55	0.72	
		PI	2.00	2.00	2.00	2.00	2.01	2.01	2.01	2.01	2.01	2.01	2.01	2.01	2.03	2.03	2.03	2.03	
52		TC	3.8	3.8	3.9	3.9	4.0	4.0	4.0	4.0	4.1	4.1	4.1	4.2	4.5	4.5	4.5	4.5	
		S/T	0.79	0.97	1.00	1.00	0.63	0.81	0.92	1.00	0.53	0.71	0.81	1.00	0.31	0.47	0.57	0.91	
		PI	2.26	2.26	2.26	2.26	2.26	2.26	2.26	2.26	2.27	2.27	2.27	2.27	2.29	2.29	2.29	2.29	

Note: The table shows the case where the operation frequency of a compressor is fixed.

INDOOR AIRFLOW (CMH)	OUTDOOR DB(C)	ID WB (C)	16.0				18.0				19.0				22.0			
		ID DB (C)	23.0	25.0	27.0	30.0	23.0	25.0	27.0	30.0	23.0	25.0	27.0	30.0	23.0	25.0	27.0	30.0
902	27	TC	5.3	5.3	5.4	5.5	5.6	5.6	5.6	5.6	5.7	5.7	5.7	5.8	6.2	6.2	6.2	6.2
		S/T	0.73	0.88	0.97	1.00	0.60	0.75	0.84	1.00	0.52	0.66	0.75	0.90	0.33	0.46	0.54	0.69
		PI	1.44	1.44	1.44	1.44	1.44	1.44	1.44	1.44	1.44	1.44	1.44	1.44	1.44	1.44	1.44	1.44
	30	TC	5.2	5.2	5.3	5.4	5.4	5.4	5.4	5.5	5.6	5.6	5.6	5.6	6.0	6.0	6.0	6.0
		S/T	0.74	0.89	0.98	1.00	0.60	0.75	0.85	1.00	0.52	0.67	0.76	0.92	0.33	0.46	0.54	0.70
		PI	1.52	1.52	1.52	1.52	1.52	1.52	1.52	1.52	1.52	1.52	1.52	1.52	1.53	1.53	1.53	1.53
	32	TC	5.1	5.1	5.2	5.2	5.3	5.3	5.3	5.4	5.5	5.5	5.5	5.5	5.9	5.9	5.9	5.9
		S/T	0.74	0.90	0.99	1.00	0.61	0.76	0.86	1.00	0.52	0.67	0.76	0.93	0.32	0.46	0.55	0.71
		PI	1.57	1.57	1.57	1.57	1.58	1.58	1.58	1.58	1.58	1.58	1.58	1.58	1.59	1.59	1.59	1.59
	35	TC	4.9	5.0	5.0	5.1	5.2	5.2	5.2	5.2	5.3	5.3	5.4	5.5	5.7	5.7	5.7	5.7
		S/T	0.75	0.91	1.00	1.00	0.61	0.77	0.87	1.00	0.52	0.68	0.77	0.93	0.32	0.47	0.55	0.71
		PI	1.66	1.66	1.66	1.66	1.66	1.66	1.66	1.66	1.67	1.67	1.67	1.67	1.68	1.68	1.68	1.68
	43	TC	4.5	4.5	4.5	4.6	4.7	4.7	4.7	4.8	4.8	4.8	4.9	4.9	5.2	5.2	5.2	5.2
		S/T	0.78	0.96	1.00	1.00	0.63	0.80	0.90	1.00	0.53	0.70	0.80	0.99	0.32	0.47	0.57	0.90
		PI	1.94	1.94	1.94	1.94	1.94	1.94	1.94	1.94	1.95	1.95	1.95	1.95	1.96	1.96	1.96	1.96
	46	TC	4.3	4.3	4.3	4.4	4.5	4.5	4.6	4.6	4.7	4.7	4.7	4.7	5.0	5.0	5.0	5.0
		S/T	0.79	0.98	1.00	1.00	0.63	0.82	0.92	1.00	0.54	0.71	0.82	1.00	0.31	0.48	0.57	0.92
		PI	2.04	2.04	2.04	2.04	2.04	2.04	2.04	2.04	2.05	2.05	2.05	2.05	2.07	2.07	2.07	2.07
	52	TC	3.9	3.9	4.0	4.0	4.1	4.1	4.1	4.1	4.2	4.2	4.2	4.2	4.6	4.6	4.6	4.6
		S/T	0.83	1.00	1.00	1.00	0.66	0.86	0.98	1.00	0.55	0.74	0.86	1.00	0.30	0.48	0.59	0.97
		PI	2.30	2.30	2.30	2.30	2.31	2.31	2.31	2.31	2.31	2.31	2.31	2.31	2.33	2.33	2.33	2.33

TC:Total Cooling Capacity (kW)

S/T:Sensible Cooling Capacity Ratio

PI:Power Input(kW)

Note: The table shows the case where the operation frequency of a compressor is fixed.

MUE-24HRFNX-QRD0+MOCA30U-24HFN8-QRD0																				
INDOOR AIRFLOW (CMH)	OUTDOOR DB(C)	ID WB (C)	16.0				18.0				19.0				22.0					
		ID DB (C)	23.0	25.0	27.0	30.0	23.0	25.0	27.0	30.0	23.0	25.0	27.0	30.0	23.0	25.0	27.0	30.0		
853	27	TC	6.8	6.8	6.8	6.9	7.1	7.1	7.1	7.1	7.3	7.3	7.3	7.3	7.9	7.9	7.9	7.9		
		S/T	0.67	0.79	0.86	0.98	0.57	0.68	0.74	0.87	0.50	0.61	0.67	0.79	0.35	0.45	0.51	0.62		
		PI	1.85	1.85	1.85	1.85	1.85	1.85	1.85	1.85	1.85	1.85	1.85	1.85	1.85	1.86	1.86	1.86	1.86	
	30	TC	6.6	6.6	6.6	6.7	6.9	6.9	6.9	6.9	7.1	7.1	7.1	7.1	7.7	7.7	7.7	7.7		
		S/T	0.68	0.80	0.87	1.00	0.57	0.68	0.75	0.88	0.50	0.61	0.68	0.80	0.35	0.45	0.51	0.63		
		PI	1.95	1.95	1.95	1.95	1.96	1.96	1.96	1.96	1.96	1.96	1.96	1.96	1.97	1.97	1.97	1.97		
	32	TC	6.5	6.5	6.5	6.5	6.8	6.8	6.8	6.8	7.0	7.0	7.0	7.0	7.5	7.5	7.5	7.5		
		S/T	0.68	0.80	0.87	1.00	0.57	0.69	0.76	0.88	0.50	0.62	0.68	0.81	0.35	0.45	0.51	0.63		
		PI	2.02	2.02	2.02	2.02	2.03	2.03	2.03	2.03	2.03	2.03	2.03	2.03	2.04	2.04	2.04	2.04		
	35	TC	6.3	6.3	6.3	6.3	6.6	6.6	6.6	6.6	6.8	6.8	6.9	6.8	7.3	7.3	7.3	7.3		
		S/T	0.69	0.81	0.88	1.00	0.57	0.69	0.76	0.89	0.51	0.62	0.69	0.82	0.35	0.45	0.52	0.64		
		PI	2.14	2.14	2.14	2.14	2.14	2.14	2.14	2.14	2.15	2.15	2.15	2.15	2.16	2.16	2.16	2.16		
	43	TC	5.7	5.7	5.7	5.8	6.0	6.0	6.0	6.0	6.2	6.2	6.2	6.2	6.7	6.7	6.7	6.7		
		S/T	0.70	0.84	0.92	1.00	0.58	0.71	0.79	0.93	0.51	0.63	0.71	0.85	0.34	0.45	0.52	0.66		
		PI	2.49	2.49	2.49	2.49	2.50	2.50	2.50	2.50	2.51	2.51	2.51	2.51	2.52	2.52	2.52	2.52		
	46	TC	5.5	5.5	5.5	5.6	5.7	5.7	5.7	5.8	5.9	5.9	5.9	5.9	6.4	6.4	6.4	6.4		
		S/T	0.71	0.85	0.93	1.00	0.59	0.72	0.81	0.95	0.51	0.64	0.72	0.87	0.33	0.46	0.53	0.67		
		PI	2.62	2.62	2.62	2.62	2.63	2.63	2.63	2.63	2.64	2.64	2.64	2.64	2.66	2.66	2.66	2.66		
	52	TC	5.0	5.0	5.1	5.1	5.2	5.2	5.2	5.3	5.4	5.4	5.4	5.5	5.9	5.9	5.9	5.9		
		S/T	0.74	0.89	0.98	1.00	0.60	0.75	0.84	1.00	0.52	0.66	0.75	0.91	0.33	0.46	0.54	0.69		
		PI	2.96	2.96	2.96	2.96	2.97	2.97	2.97	2.97	2.98	2.98	2.98	2.98	3.00	3.00	3.00	3.00		
	1066	27	TC	6.9	6.9	7.0	7.1	7.3	7.3	7.3	7.3	7.5	7.5	7.5	7.5	8.1	8.1	8.1	8.1	
			S/T	0.71	0.85	0.93	1.00	0.59	0.72	0.80	0.95	0.51	0.64	0.72	0.87	0.34	0.46	0.53	0.66	
			PI	1.88	1.88	1.88	1.88	1.89	1.89	1.89	1.89	1.89	1.89	1.89	1.89	1.89	1.89	1.89	1.89	1.89
30		TC	6.7	6.7	6.8	6.9	7.1	7.1	7.1	7.1	7.3	7.3	7.3	7.3	7.9	7.9	7.9	7.9		
		S/T	0.72	0.86	0.94	1.00	0.59	0.73	0.81	0.96	0.51	0.65	0.73	0.88	0.33	0.46	0.53	0.67		
		PI	1.99	1.99	1.99	1.99	1.99	1.99	1.99	1.99	2.00	2.00	2.00	2.00	2.00	2.00	2.00	2.00	2.00	
32		TC	6.6	6.6	6.7	6.7	6.9	6.9	6.9	7.0	7.2	7.2	7.2	7.2	7.7	7.7	7.7	7.7		
		S/T	0.72	0.87	0.95	1.00	0.59	0.73	0.82	0.97	0.51	0.65	0.73	0.88	0.33	0.46	0.53	0.68		
		PI	2.06	2.06	2.06	2.06	2.07	2.07	2.07	2.07	2.07	2.07	2.07	2.07	2.08	2.08	2.08	2.08		
35		TC	6.4	6.4	6.5	6.5	6.7	6.7	6.7	6.8	6.9	6.9	7.0	7.1	7.5	7.5	7.5	7.5		
		S/T	0.73	0.88	0.97	1.00	0.60	0.74	0.83	0.99	0.52	0.66	0.74	0.89	0.33	0.46	0.54	0.68		
		PI	2.18	2.18	2.18	2.18	2.18	2.18	2.18	2.18	2.19	2.19	2.19	2.19	2.19	2.19	2.19	2.19	2.19	
43		TC	5.8	5.9	5.9	6.0	6.1	6.1	6.1	6.2	6.3	6.3	6.3	6.4	6.8	6.8	6.8	6.8		
		S/T	0.75	0.91	1.00	1.00	0.61	0.77	0.86	1.00	0.52	0.68	0.77	0.94	0.32	0.46	0.55	0.71		
		PI	2.54	2.54	2.54	2.54	2.54	2.54	2.54	2.54	2.55	2.55	2.55	2.55	2.57	2.57	2.57	2.57		
46		TC	5.6	5.7	5.7	5.8	5.9	5.9	5.9	5.9	6.1	6.1	6.1	6.1	6.6	6.6	6.6	6.6		
		S/T	0.76	0.93	1.00	1.00	0.62	0.78	0.88	1.00	0.53	0.69	0.78	0.96	0.32	0.47	0.56	0.72		
		PI	2.67	2.67	2.67	2.67	2.68	2.68	2.68	2.68	2.69	2.69	2.69	2.69	2.71	2.71	2.71	2.71		
52		TC	5.1	5.1	5.2	5.2	5.3	5.3	5.4	5.5	5.5	5.5	5.5	5.6	6.0	6.0	6.0	6.0		
		S/T	0.79	0.98	1.00	1.00	0.63	0.82	0.92	1.00	0.54	0.71	0.82	1.00	0.31	0.47	0.57	0.91		
		PI	3.01	3.01	3.01	3.01	3.02	3.02	3.02	3.02	3.03	3.03	3.03	3.03	3.05	3.05	3.05	3.05	3.05	

Note: The table shows the case where the operation frequency of a compressor is fixed.

INDOOR AIRFLOW (CMH)	OUTDOOR DB(°C)	ID WB (°C)	16.0				18.0				19.0				22.0			
		ID DB (°C)	23.0	25.0	27.0	30.0	23.0	25.0	27.0	30.0	23.0	25.0	27.0	30.0	23.0	25.0	27.0	30.0
1208	27	TC	7.1	7.2	7.2	7.3	7.4	7.4	7.4	7.5	7.6	7.6	7.6	7.7	8.2	8.2	8.2	8.2
		S/T	0.73	0.88	0.97	1.00	0.60	0.75	0.84	1.00	0.52	0.66	0.75	0.91	0.33	0.46	0.54	0.69
		PI	1.92	1.92	1.92	1.92	1.92	1.92	1.92	1.92	1.92	1.92	1.92	1.92	1.92	1.92	1.92	1.92
	30	TC	6.9	6.9	7.0	7.1	7.2	7.2	7.2	7.3	7.4	7.4	7.4	7.5	8.0	8.0	8.0	8.0
		S/T	0.74	0.90	0.99	1.00	0.60	0.76	0.85	1.00	0.52	0.67	0.76	0.92	0.32	0.46	0.55	0.70
		PI	2.03	2.03	2.03	2.03	2.03	2.03	2.03	2.03	2.03	2.03	2.03	2.03	2.04	2.04	2.04	2.04
	32	TC	6.7	6.8	6.9	6.9	7.1	7.1	7.1	7.1	7.3	7.3	7.3	7.4	7.9	7.9	7.9	7.9
		S/T	0.75	0.91	1.00	1.00	0.61	0.76	0.86	1.00	0.52	0.67	0.76	0.93	0.32	0.46	0.55	0.71
		PI	2.10	2.10	2.10	2.10	2.10	2.10	2.10	2.10	2.11	2.11	2.11	2.11	2.12	2.12	2.12	2.12
	35	TC	6.5	6.6	6.7	6.7	6.9	6.9	6.9	6.9	7.1	7.1	7.2	7.2	7.6	7.6	7.6	7.6
		S/T	0.75	0.92	1.00	1.00	0.61	0.77	0.87	1.00	0.52	0.68	0.77	0.94	0.32	0.47	0.55	0.72
		PI	2.22	2.22	2.22	2.22	2.22	2.22	2.22	2.22	2.23	2.23	2.23	2.23	2.24	2.24	2.24	2.24
	43	TC	5.9	6.0	6.1	6.1	6.2	6.2	6.3	6.3	6.4	6.4	6.5	6.5	7.0	7.0	7.0	7.0
		S/T	0.78	0.96	1.00	1.00	0.63	0.80	0.91	1.00	0.53	0.70	0.81	0.99	0.31	0.47	0.57	0.90
		PI	2.58	2.58	2.58	2.58	2.59	2.59	2.59	2.59	2.60	2.60	2.60	2.60	2.62	2.62	2.62	2.62
	46	TC	5.7	5.8	5.8	5.9	6.0	6.0	6.1	6.1	6.2	6.2	6.2	6.2	6.7	6.7	6.7	6.7
		S/T	0.79	0.98	1.00	1.00	0.64	0.82	0.92	1.00	0.54	0.72	0.82	1.00	0.31	0.48	0.57	0.92
		PI	2.72	2.72	2.72	2.72	2.73	2.73	2.73	2.73	2.74	2.74	2.74	2.74	2.76	2.76	2.76	2.76
	52	TC	5.2	5.2	5.3	5.4	5.5	5.5	5.5	5.6	5.6	5.6	5.6	5.7	6.1	6.1	6.1	6.1
		S/T	0.83	1.00	1.00	1.00	0.66	0.86	0.97	1.00	0.55	0.74	0.86	1.00	0.30	0.48	0.59	0.97
		PI	3.07	3.07	3.07	3.07	3.08	3.08	3.08	3.08	3.09	3.09	3.09	3.09	3.11	3.11	3.11	3.11

TC:Total Cooling Capacity (kW)

S/T:Sensible Cooling Capacity Ratio

PI:Power Input(kW)

Note: The table shows the case where the operation frequency of a compressor is fixed.

MUE-30HRFNX-QRDO+MOD30U-30HFN8-QRDO																			
INDOOR AIRFLOW (CMH)	OUTDOOR DB(C)	ID WB (C)	16.0				18.0				19.0				22.0				
		ID DB (C)	23.0	25.0	27.0	30.0	23.0	25.0	27.0	30.0	23.0	25.0	27.0	30.0	23.0	25.0	27.0	30.0	
1431	27	TC	8.21	8.30	8.39	8.47	8.73	8.73	8.73	8.82	8.99	8.99	8.99	9.08	9.68	9.68	9.68	9.68	
		S/T	0.79	0.90	1.00	1.00	0.61	0.72	0.83	0.99	0.53	0.64	0.74	0.90	0.34	0.44	0.54	0.69	
		PI	2.19	2.19	2.19	2.19	2.19	2.19	2.19	2.19	2.19	2.19	2.19	2.19	2.19	2.19	2.19	2.19	
	30	TC	7.98	8.07	8.16	8.24	8.47	8.47	8.47	8.56	8.73	8.73	8.73	8.82	9.42	9.42	9.42	9.42	
		S/T	0.80	0.92	1.00	1.00	0.62	0.73	0.84	1.00	0.53	0.64	0.75	0.91	0.34	0.44	0.54	0.70	
		PI	2.31	2.31	2.31	2.31	2.32	2.32	2.32	2.32	2.32	2.32	2.32	2.32	2.33	2.33	2.33	2.33	
	32	TC	7.81	7.90	7.98	8.07	8.33	8.33	8.33	8.42	8.56	8.56	8.56	8.65	9.25	9.25	9.25	9.25	
		S/T	0.81	0.92	1.00	1.00	0.62	0.74	0.85	1.00	0.54	0.65	0.76	0.92	0.34	0.44	0.55	0.70	
		PI	2.40	2.40	2.40	2.40	2.40	2.40	2.40	2.40	2.41	2.41	2.41	2.41	2.42	2.42	2.42	2.42	
	35	TC	7.58	7.67	7.75	7.84	8.07	8.07	8.07	8.16	8.33	8.33	8.44	8.53	8.96	8.96	8.96	8.96	
		S/T	0.82	0.94	1.00	1.00	0.63	0.75	0.86	1.00	0.54	0.65	0.76	0.93	0.34	0.44	0.55	0.71	
		PI	2.53	2.53	2.53	2.53	2.54	2.54	2.54	2.54	2.55	2.55	2.55	2.55	2.56	2.56	2.56	2.56	
	43	TC	6.77	6.84	6.90	6.97	7.24	7.24	7.28	7.34	7.45	7.45	7.48	7.56	8.05	8.05	8.05	8.05	
		S/T	0.85	0.98	1.00	1.00	0.64	0.77	0.90	1.00	0.55	0.68	0.80	0.99	0.33	0.45	0.57	0.74	
		PI	2.94	2.94	2.94	2.94	2.95	2.95	2.95	2.95	2.96	2.96	2.96	2.96	2.99	2.99	2.99	2.99	
	46	TC	6.51	6.57	6.63	6.68	6.96	6.96	7.02	7.08	7.16	7.16	7.16	7.25	7.76	7.76	7.76	7.76	
		S/T	0.87	1.00	1.00	1.00	0.65	0.79	0.92	1.00	0.55	0.69	0.82	1.00	0.33	0.45	0.57	0.76	
		PI	3.10	3.10	3.10	3.10	3.11	3.11	3.11	3.11	3.12	3.12	3.12	3.12	3.15	3.15	3.15	3.15	
	52	TC	5.89	5.95	6.00	6.06	6.31	6.31	6.37	6.43	6.51	6.51	6.51	6.57	7.08	7.08	7.08	7.08	
		S/T	0.91	1.00	1.00	1.00	0.67	0.82	0.97	1.00	0.57	0.71	0.86	1.00	0.32	0.46	0.59	0.79	
		PI	3.50	3.50	3.50	3.50	3.51	3.51	3.51	3.51	3.52	3.52	3.52	3.52	3.55	3.55	3.55	3.55	
	1844	27	TC	8.39	8.48	8.56	8.65	8.91	8.91	8.99	9.08	9.17	9.17	9.17	9.25	9.88	9.88	9.88	9.88
			S/T	0.87	1.00	1.00	1.00	0.66	0.80	0.93	1.00	0.56	0.69	0.83	1.00	0.33	0.45	0.58	0.77
			PI	2.23	2.23	2.23	2.23	2.23	2.23	2.23	2.23	2.24	2.24	2.24	2.24	2.24	2.24	2.24	2.24
30		TC	8.13	8.22	8.30	8.39	8.65	8.65	8.74	8.82	8.91	8.91	8.91	8.99	9.63	9.63	9.63	9.63	
		S/T	0.88	1.00	1.00	1.00	0.66	0.81	0.94	1.00	0.56	0.70	0.84	1.00	0.33	0.45	0.58	0.78	
		PI	2.36	2.36	2.36	2.36	2.36	2.36	2.36	2.36	2.37	2.37	2.37	2.37	2.38	2.38	2.38	2.38	
32		TC	7.99	8.07	8.16	8.25	8.48	8.48	8.56	8.65	8.76	8.76	8.76	8.85	9.42	9.42	9.42	9.42	
		S/T	0.89	1.00	1.00	1.00	0.67	0.81	0.95	1.00	0.56	0.70	0.85	1.00	0.32	0.46	0.59	0.78	
		PI	2.45	2.45	2.45	2.45	2.45	2.45	2.45	2.45	2.46	2.46	2.46	2.46	2.47	2.47	2.47	2.47	
35		TC	7.73	7.82	7.90	7.99	8.25	8.25	8.33	8.42	8.48	8.48	8.62	8.71	9.17	9.17	9.17	9.17	
		S/T	0.91	1.00	1.00	1.00	0.67	0.82	0.97	1.00	0.57	0.71	0.85	1.00	0.32	0.46	0.59	0.80	
		PI	2.59	2.59	2.59	2.59	2.59	2.59	2.59	2.59	2.60	2.60	2.60	2.60	2.60	2.60	2.60	2.60	
43		TC	7.03	7.09	7.16	7.22	7.50	7.50	7.59	7.68	7.73	7.73	7.83	7.92	8.36	8.36	8.36	8.36	
		S/T	0.95	1.00	1.00	1.00	0.70	0.86	1.00	1.00	0.58	0.74	0.90	1.00	0.32	0.47	0.61	0.84	
		PI	3.00	3.00	3.00	3.00	3.02	3.02	3.02	3.02	3.03	3.03	3.03	3.03	3.04	3.04	3.04	3.04	
46		TC	6.76	6.82	6.87	6.93	7.22	7.22	7.31	7.39	7.45	7.45	7.54	7.62	8.05	8.05	8.05	8.05	
		S/T	0.97	1.00	1.00	1.00	0.71	0.88	1.00	1.00	0.59	0.75	0.92	1.00	0.32	0.47	0.62	0.85	
		PI	3.16	3.16	3.16	3.16	3.18	3.18	3.18	3.18	3.19	3.19	3.19	3.19	3.21	3.21	3.21	3.21	
52		TC	6.10	6.16	6.21	6.27	6.53	6.59	6.64	6.70	6.76	6.76	6.82	6.87	7.34	7.34	7.34	7.42	
		S/T	1.00	1.00	1.00	1.00	0.74	0.92	1.00	1.00	0.61	0.79	0.97	1.00	0.31	0.48	0.65	0.91	
		PI	3.57	3.57	3.57	3.57	3.58	3.58	3.58	3.58	3.59	3.59	3.59	3.59	3.62	3.62	3.62	3.62	

Note: The table shows the case where the operation frequency of a compressor is fixed.

INDOOR AIRFLOW (CMH)	OUTDOOR DB(C)	ID WB (C)	16.0				18.0				19.0				22.0			
		ID DB (C)	23.0	25.0	27.0	30.0	23.0	25.0	27.0	30.0	23.0	25.0	27.0	30.0	23.0	25.0	27.0	30.0
2160	27	TC	8.56	8.65	8.74	8.82	9.08	9.08	9.17	9.25	9.37	9.37	9.45	9.54	10.09	10.09	10.09	10.09
		S/T	0.93	1.00	1.00	1.00	0.69	0.85	1.00	1.00	0.58	0.73	0.88	1.00	0.32	0.46	0.61	0.82
		PI	2.28	2.28	2.28	2.28	2.28	2.28	2.28	2.28	2.28	2.28	2.28	2.28	2.28	2.29	2.29	2.29
	30	TC	8.30	8.39	8.48	8.56	8.82	8.82	8.91	8.99	9.11	9.11	9.19	9.28	9.80	9.80	9.80	9.80
		S/T	0.95	1.00	1.00	1.00	0.70	0.86	1.00	1.00	0.58	0.74	0.89	1.00	0.32	0.47	0.61	0.84
		PI	2.41	2.41	2.41	2.41	2.42	2.42	2.42	2.42	2.42	2.42	2.42	2.42	2.43	2.43	2.43	2.43
	32	TC	8.13	8.22	8.30	8.39	8.65	8.65	8.74	8.82	8.94	8.94	9.02	9.11	9.63	9.63	9.63	9.63
		S/T	0.96	1.00	1.00	1.00	0.70	0.87	1.00	1.00	0.58	0.75	0.90	1.00	0.32	0.47	0.62	0.84
		PI	2.50	2.50	2.50	2.50	2.51	2.51	2.51	2.51	2.51	2.51	2.51	2.51	2.52	2.52	2.52	2.52
	35	TC	7.90	7.99	8.07	8.16	8.39	8.39	8.48	8.56	8.65	8.65	8.79	8.88	9.34	9.34	9.34	9.34
		S/T	0.97	1.00	1.00	1.00	0.71	0.88	1.00	1.00	0.59	0.76	0.92	1.00	0.31	0.47	0.63	0.86
		PI	2.63	2.63	2.63	2.63	2.64	2.64	2.64	2.64	2.65	2.65	2.65	2.65	2.66	2.66	2.66	2.66
	43	TC	7.16	7.22	7.29	7.35	7.65	7.71	7.80	7.88	7.88	7.88	7.99	8.07	8.53	8.53	8.53	8.60
		S/T	1.00	1.00	1.00	1.00	0.74	0.92	1.00	1.00	0.61	0.79	0.97	1.00	0.31	0.48	0.65	0.90
		PI	3.07	3.07	3.07	3.07	3.08	3.08	3.08	3.08	3.09	3.09	3.09	3.09	3.11	3.11	3.11	3.11
	46	TC	6.87	6.93	6.99	7.05	7.36	7.45	7.54	7.62	7.59	7.59	7.68	7.77	8.23	8.23	8.23	8.31
		S/T	1.00	1.00	1.00	1.00	0.75	0.94	1.00	1.00	0.62	0.81	0.99	1.00	0.31	0.48	0.66	0.92
		PI	3.23	3.23	3.23	3.23	3.25	3.25	3.25	3.25	3.26	3.26	3.26	3.26	3.28	3.28	3.28	3.28
	52	TC	6.24	6.30	6.36	6.41	6.67	6.73	6.79	6.85	6.90	6.90	6.96	7.02	7.48	7.48	7.48	7.57
		S/T	1.00	1.00	1.00	1.00	0.79	1.00	1.00	1.00	0.64	0.85	1.00	1.00	0.30	0.50	0.69	0.97
		PI	3.65	3.65	3.65	3.65	3.66	3.66	3.66	3.66	3.67	3.67	3.67	3.67	3.70	3.70	3.70	3.70

TC:Total Cooling Capacity (kW)

S/T:Sensible Cooling Capacity Ratio

PI:Power Input(kW)

Note: The table shows the case where the operation frequency of a compressor is fixed.

MUE-36HRFNX-QRDO+MOD30U-36HFN8-QRDO																			
INDOOR AIRFLOW (CMH)	OUTDOOR DB(C)	ID WB (C)	16.0				18.0				19.0				22.0				
		ID DB (C)	23.0	25.0	27.0	30.0	23.0	25.0	27.0	30.0	23.0	25.0	27.0	30.0	23.0	25.0	27.0	30.0	
1431	27	TC	10.2	10.2	10.3	10.4	10.7	10.7	10.7	10.8	11.0	11.0	11.0	11.0	11.9	11.9	11.9	11.9	
		S/T	0.69	0.82	0.89	1.00	0.58	0.70	0.77	0.91	0.51	0.62	0.70	0.83	0.34	0.45	0.52	0.64	
		PI	3.20	3.20	3.20	3.20	3.20	3.20	3.20	3.20	3.20	3.20	3.20	3.20	3.20	3.21	3.21	3.21	3.21
	30	TC	9.9	9.9	10.0	10.1	10.4	10.4	10.4	10.5	10.7	10.7	10.7	10.7	11.5	11.5	11.5	11.5	
		S/T	0.70	0.83	0.90	1.00	0.58	0.71	0.78	0.92	0.51	0.63	0.70	0.84	0.34	0.45	0.52	0.65	
		PI	3.38	3.38	3.38	3.38	3.38	3.38	3.38	3.38	3.39	3.39	3.39	3.39	3.40	3.40	3.40	3.40	
	32	TC	9.7	9.7	9.8	9.9	10.2	10.2	10.2	10.3	10.5	10.5	10.5	10.5	11.3	11.3	11.3	11.3	
		S/T	0.70	0.83	0.91	1.00	0.58	0.71	0.79	0.93	0.51	0.63	0.71	0.85	0.34	0.45	0.52	0.65	
		PI	3.50	3.50	3.50	3.50	3.51	3.51	3.51	3.51	3.52	3.52	3.52	3.52	3.53	3.53	3.53	3.53	
	35	TC	9.4	9.4	9.5	9.6	9.9	9.9	9.9	10.0	10.2	10.2	10.3	10.2	11.0	11.0	11.0	11.0	
		S/T	0.71	0.84	0.92	1.00	0.59	0.72	0.80	0.94	0.51	0.64	0.71	0.86	0.34	0.45	0.53	0.66	
		PI	3.70	3.70	3.70	3.70	3.71	3.71	3.71	3.71	3.71	3.71	3.72	3.71	3.74	3.74	3.74	3.74	
	43	TC	8.6	8.6	8.7	8.8	9.0	9.0	9.0	9.1	9.3	9.3	9.3	9.3	10.0	10.0	10.0	10.0	
		S/T	0.73	0.88	0.97	1.00	0.60	0.74	0.83	0.99	0.52	0.66	0.74	0.90	0.33	0.46	0.54	0.68	
		PI	4.31	4.31	4.31	4.31	4.32	4.32	4.32	4.32	4.34	4.34	4.34	4.34	4.37	4.37	4.37	4.37	
	46	TC	8.2	8.3	8.4	8.5	8.6	8.6	8.6	8.7	8.9	8.9	8.9	9.0	9.6	9.6	9.6	9.6	
		S/T	0.74	0.89	0.98	1.00	0.60	0.75	0.84	1.00	0.52	0.66	0.75	0.91	0.33	0.46	0.54	0.70	
		PI	4.54	4.54	4.54	4.54	4.55	4.55	4.55	4.55	4.57	4.57	4.57	4.57	4.60	4.60	4.60	4.60	
	52	TC	7.4	7.5	7.6	7.7	7.9	7.9	7.9	7.9	8.1	8.1	8.1	8.2	8.8	8.8	8.8	8.8	
		S/T	0.76	0.93	1.00	1.00	0.62	0.78	0.88	1.00	0.53	0.69	0.78	0.96	0.32	0.47	0.56	0.72	
		PI	5.12	5.12	5.12	5.12	5.14	5.14	5.14	5.14	5.15	5.15	5.15	5.15	5.19	5.19	5.19	5.19	
	1844	27	TC	10.4	10.6	10.7	10.8	10.9	10.9	10.9	11.0	11.2	11.2	11.2	11.3	12.1	12.1	12.1	12.1
			S/T	0.74	0.90	0.99	1.00	0.61	0.76	0.85	1.00	0.52	0.67	0.76	0.92	0.32	0.46	0.55	0.70
			PI	3.27	3.27	3.27	3.27	3.27	3.27	3.27	3.27	3.27	3.27	3.27	3.27	3.27	3.28	3.28	3.28
30		TC	10.1	10.2	10.3	10.4	10.6	10.6	10.6	10.7	10.9	10.9	10.9	11.0	11.8	11.8	11.8	11.8	
		S/T	0.75	0.91	1.00	1.00	0.61	0.77	0.86	1.00	0.52	0.68	0.77	0.94	0.32	0.46	0.55	0.71	
		PI	3.45	3.45	3.45	3.45	3.46	3.46	3.46	3.46	3.46	3.46	3.46	3.46	3.48	3.48	3.48	3.48	
32		TC	9.9	10.0	10.1	10.2	10.4	10.4	10.4	10.5	10.7	10.7	10.7	10.8	11.5	11.5	11.5	11.5	
		S/T	0.75	0.92	1.00	1.00	0.61	0.77	0.87	1.00	0.52	0.68	0.78	0.95	0.32	0.47	0.55	0.72	
		PI	3.58	3.58	3.58	3.58	3.59	3.59	3.59	3.59	3.59	3.59	3.59	3.59	3.61	3.61	3.61	3.61	
35		TC	9.6	9.7	9.8	9.9	10.1	10.1	10.2	10.3	10.4	10.4	10.6	10.7	11.2	11.2	11.2	11.2	
		S/T	0.76	0.94	1.00	1.00	0.62	0.78	0.88	1.00	0.53	0.69	0.78	0.96	0.32	0.47	0.56	0.73	
		PI	3.78	3.78	3.78	3.78	3.79	3.79	3.79	3.79	3.79	3.79	3.80	3.79	3.79	3.79	3.79	3.79	
43		TC	8.7	8.8	8.9	9.0	9.2	9.2	9.3	9.3	9.4	9.4	9.5	9.6	10.2	10.2	10.2	10.2	
		S/T	0.79	0.98	1.00	1.00	0.64	0.82	0.92	1.00	0.54	0.71	0.82	1.00	0.31	0.48	0.57	0.76	
		PI	4.41	4.41	4.41	4.41	4.42	4.42	4.42	4.42	4.42	4.42	4.43	4.42	4.45	4.45	4.45	4.45	
46		TC	8.4	8.5	8.6	8.6	8.8	8.8	8.9	9.0	9.1	9.1	9.1	9.2	9.8	9.8	9.8	9.8	
		S/T	0.81	1.00	1.00	1.00	0.64	0.83	0.94	1.00	0.54	0.73	0.84	1.00	0.31	0.48	0.58	0.78	
		PI	4.64	4.64	4.64	4.64	4.65	4.65	4.65	4.65	4.66	4.66	4.66	4.66	4.70	4.70	4.70	4.70	
52		TC	7.6	7.7	7.8	7.9	8.0	8.0	8.1	8.2	8.3	8.3	8.3	8.4	9.0	9.0	9.0	9.0	
		S/T	0.84	1.00	1.00	1.00	0.66	0.87	1.00	1.00	0.55	0.76	0.88	1.00	0.30	0.49	0.60	0.91	
		PI	5.23	5.23	5.23	5.23	5.25	5.25	5.25	5.25	5.26	5.26	5.26	5.26	5.30	5.30	5.30	5.30	

INDOOR AIRFLOW (CMH)	OUTDOOR DB(C)	ID WB (C)	16.0				18.0				19.0				22.0			
		ID DB (C)	23.0	25.0	27.0	30.0	23.0	25.0	27.0	30.0	23.0	25.0	27.0	30.0	23.0	25.0	27.0	30.0
2160	27	TC	10.6	10.7	10.8	11.0	11.1	11.1	11.2	11.3	11.5	11.5	11.5	11.6	12.3	12.3	12.3	12.3
		S/T	0.78	0.96	1.00	1.00	0.63	0.81	0.91	1.00	0.53	0.70	0.81	1.00	0.31	0.47	0.57	0.75
		PI	3.34	3.34	3.34	3.34	3.34	3.34	3.34	3.34	3.34	3.34	3.34	3.34	3.34	3.35	3.35	3.35
	30	TC	10.3	10.4	10.6	10.7	10.8	10.8	10.9	11.0	11.1	11.1	11.1	11.3	12.0	12.0	12.0	12.0
		S/T	0.79	0.98	1.00	1.00	0.63	0.82	0.92	1.00	0.54	0.71	0.82	1.00	0.31	0.48	0.58	0.76
		PI	3.52	3.52	3.52	3.52	3.53	3.53	3.53	3.53	3.53	3.53	3.53	3.53	3.53	3.55	3.55	3.55
	32	TC	10.1	10.2	10.3	10.4	10.6	10.6	10.7	10.8	10.9	10.9	10.9	11.0	11.8	11.8	11.8	11.8
		S/T	0.80	0.99	1.00	1.00	0.64	0.82	0.93	1.00	0.54	0.72	0.83	1.00	0.31	0.48	0.58	0.77
		PI	3.65	3.65	3.65	3.65	3.66	3.66	3.66	3.66	3.66	3.67	3.67	3.67	3.67	3.69	3.69	3.69
	35	TC	9.8	9.9	10.0	10.1	10.3	10.3	10.4	10.5	10.6	10.6	10.8	10.9	11.4	11.4	11.4	11.4
		S/T	0.81	1.00	1.00	1.00	0.64	0.84	0.95	1.00	0.54	0.73	0.83	1.00	0.31	0.48	0.58	0.78
		PI	3.86	3.86	3.86	3.86	3.87	3.87	3.87	3.87	3.87	3.87	3.88	3.87	3.90	3.90	3.90	3.90
	43	TC	8.9	9.0	9.1	9.2	9.3	9.4	9.5	9.6	9.6	9.6	9.7	9.8	10.4	10.4	10.4	10.4
		S/T	0.84	1.00	1.00	1.00	0.66	0.88	1.00	1.00	0.55	0.76	0.88	1.00	0.30	0.49	0.60	0.90
		PI	4.49	4.49	4.49	4.49	4.51	4.51	4.51	4.51	4.52	4.52	4.52	4.52	4.55	4.55	4.55	4.55
	46	TC	8.6	8.6	8.7	8.8	9.0	9.1	9.1	9.2	9.3	9.3	9.3	9.4	10.1	10.1	10.1	10.1
		S/T	0.86	1.00	1.00	1.00	0.67	0.89	1.00	1.00	0.56	0.77	0.90	1.00	0.30	0.49	0.61	0.92
		PI	4.73	4.73	4.73	4.73	4.75	4.75	4.75	4.75	4.76	4.76	4.76	4.76	4.80	4.80	4.80	4.80
	52	TC	7.7	7.8	7.9	8.0	8.1	8.2	8.3	8.4	8.4	8.4	8.5	8.6	9.1	9.1	9.1	9.1
		S/T	0.90	1.00	1.00	1.00	0.70	0.94	1.00	1.00	0.57	0.81	0.95	1.00	0.29	0.51	0.64	0.97
		PI	5.34	5.34	5.34	5.34	5.36	5.36	5.36	5.36	5.37	5.37	5.37	5.37	5.41	5.41	5.41	5.41

TC:Total Cooling Capacity (kW)

S/T:Sensible Cooling Capacity Ratio

PI:Power Input(kW)

MUE-36HRFNX-QRD0+MOD30U-36HFN8-RRD0																				
INDOOR AIRFLOW (CMH)	OUTDOOR DB(C)	ID WB (C)	16.0				18.0				19.0				22.0					
			ID DB (C)	23.0	25.0	27.0	30.0	23.0	25.0	27.0	30.0	23.0	25.0	27.0	30.0	23.0	25.0	27.0	30.0	
1431	27	TC	10.2	10.2	10.3	10.4	10.7	10.7	10.7	10.8	11.0	11.0	11.0	11.0	11.9	11.9	11.9	11.9		
		S/T	0.69	0.82	0.89	1.00	0.58	0.70	0.77	0.91	0.51	0.62	0.70	0.83	0.34	0.45	0.52	0.64		
		PI	3.17	3.17	3.17	3.17	3.17	3.17	3.17	3.17	3.17	3.17	3.17	3.17	3.17	3.18	3.18	3.18	3.18	
	30	TC	9.9	9.9	10.0	10.1	10.4	10.4	10.4	10.5	10.7	10.7	10.7	10.7	11.5	11.5	11.5	11.5		
		S/T	0.70	0.83	0.90	1.00	0.58	0.71	0.78	0.92	0.51	0.63	0.70	0.84	0.34	0.45	0.52	0.65		
		PI	3.34	3.34	3.34	3.34	3.35	3.35	3.35	3.35	3.35	3.35	3.35	3.35	3.37	3.37	3.37	3.37		
	32	TC	9.7	9.7	9.8	9.9	10.2	10.2	10.2	10.3	10.5	10.5	10.5	10.5	11.3	11.3	11.3	11.3		
		S/T	0.70	0.83	0.91	1.00	0.58	0.71	0.79	0.93	0.51	0.63	0.71	0.85	0.34	0.45	0.52	0.65		
		PI	3.47	3.47	3.47	3.47	3.47	3.47	3.47	3.47	3.47	3.48	3.48	3.48	3.48	3.50	3.50	3.50	3.50	
	35	TC	9.4	9.4	9.5	9.6	9.9	9.9	9.9	10.0	10.2	10.2	10.3	10.2	11.0	11.0	11.0	11.0		
		S/T	0.71	0.84	0.92	1.00	0.59	0.72	0.80	0.94	0.51	0.64	0.71	0.86	0.34	0.45	0.53	0.66		
		PI	3.66	3.66	3.66	3.66	3.67	3.67	3.67	3.67	3.67	3.67	3.67	3.68	3.67	3.70	3.70	3.70	3.70	
	43	TC	8.6	8.6	8.7	8.8	9.0	9.0	9.0	9.1	9.3	9.3	9.3	9.3	10.0	10.0	10.0	10.0		
		S/T	0.73	0.88	0.97	1.00	0.60	0.74	0.83	0.99	0.52	0.66	0.74	0.90	0.33	0.46	0.54	0.68		
		PI	4.26	4.26	4.26	4.26	4.28	4.28	4.28	4.28	4.29	4.29	4.29	4.29	4.32	4.32	4.32	4.32		
	46	TC	8.2	8.3	8.4	8.5	8.6	8.6	8.6	8.7	8.9	8.9	8.9	9.0	9.6	9.6	9.6	9.6		
		S/T	0.74	0.89	0.98	1.00	0.60	0.75	0.84	1.00	0.52	0.66	0.75	0.91	0.33	0.46	0.54	0.70		
		PI	4.49	4.49	4.49	4.49	4.51	4.51	4.51	4.51	4.52	4.52	4.52	4.52	4.55	4.55	4.55	4.55		
	52	TC	7.4	7.5	7.6	7.7	7.9	7.9	7.9	7.9	8.1	8.1	8.1	8.2	8.8	8.8	8.8	8.8		
		S/T	0.76	0.93	1.00	1.00	0.62	0.78	0.88	1.00	0.53	0.69	0.78	0.96	0.32	0.47	0.56	0.72		
		PI	5.07	5.07	5.07	5.07	5.08	5.08	5.08	5.08	5.09	5.09	5.09	5.09	5.13	5.13	5.13	5.13		
	1844	27	TC	10.4	10.6	10.7	10.8	10.9	10.9	10.9	11.0	11.2	11.2	11.2	11.3	12.1	12.1	12.1	12.1	
			S/T	0.74	0.90	0.99	1.00	0.61	0.76	0.85	1.00	0.52	0.67	0.76	0.92	0.32	0.46	0.55	0.70	
			PI	3.23	3.23	3.23	3.23	3.23	3.23	3.23	3.23	3.23	3.23	3.23	3.23	3.23	3.24	3.24	3.24	3.24
30		TC	10.1	10.2	10.3	10.4	10.6	10.6	10.6	10.7	10.9	10.9	10.9	11.0	11.8	11.8	11.8	11.8		
		S/T	0.75	0.91	1.00	1.00	0.61	0.77	0.86	1.00	0.52	0.68	0.77	0.94	0.32	0.46	0.55	0.71		
		PI	3.41	3.41	3.41	3.41	3.41	3.41	3.41	3.41	3.42	3.42	3.42	3.42	3.43	3.43	3.43	3.43		
32		TC	9.9	10.0	10.1	10.2	10.4	10.4	10.4	10.5	10.7	10.7	10.7	10.8	11.5	11.5	11.5	11.5		
		S/T	0.75	0.92	1.00	1.00	0.61	0.77	0.87	1.00	0.52	0.68	0.78	0.95	0.32	0.47	0.55	0.72		
		PI	3.53	3.53	3.53	3.53	3.54	3.54	3.54	3.54	3.54	3.54	3.54	3.54	3.56	3.56	3.56	3.56		
35		TC	9.6	9.7	9.8	9.9	10.1	10.1	10.2	10.3	10.4	10.4	10.6	10.7	11.2	11.2	11.2	11.2		
		S/T	0.76	0.94	1.00	1.00	0.62	0.78	0.88	1.00	0.53	0.69	0.78	0.96	0.32	0.47	0.56	0.73		
		PI	3.73	3.73	3.73	3.73	3.74	3.74	3.74	3.74	3.74	3.74	3.75	3.74	3.74	3.74	3.74	3.74		
43		TC	8.7	8.8	8.9	9.0	9.2	9.2	9.3	9.3	9.4	9.4	9.5	9.6	10.2	10.2	10.2	10.2		
		S/T	0.79	0.98	1.00	1.00	0.64	0.82	0.92	1.00	0.54	0.71	0.82	1.00	0.31	0.48	0.57	0.76		
		PI	4.35	4.35	4.35	4.35	4.36	4.36	4.36	4.36	4.37	4.37	4.37	4.37	4.39	4.39	4.39	4.39		
46		TC	8.4	8.5	8.6	8.6	8.8	8.8	8.9	9.0	9.1	9.1	9.1	9.2	9.8	9.8	9.8	9.8		
		S/T	0.81	1.00	1.00	1.00	0.64	0.83	0.94	1.00	0.54	0.73	0.84	1.00	0.31	0.48	0.58	0.78		
		PI	4.58	4.58	4.58	4.58	4.59	4.59	4.59	4.59	4.60	4.60	4.60	4.60	4.64	4.64	4.64	4.64		
52		TC	7.6	7.7	7.8	7.9	8.0	8.0	8.1	8.2	8.3	8.3	8.3	8.4	9.0	9.0	9.0	9.0		
		S/T	0.84	1.00	1.00	1.00	0.66	0.87	1.00	1.00	0.55	0.76	0.88	1.00	0.30	0.49	0.60	0.91		
		PI	5.16	5.16	5.16	5.16	5.18	5.18	5.18	5.18	5.19	5.19	5.19	5.19	5.23	5.23	5.23	5.23		

Note: The table shows the case where the operation frequency of a compressor is fixed.

INDOOR AIRFLOW (CMH)	OUTDOOR DB (C)	ID WB (C)	16.0				18.0				19.0				22.0			
		ID DB (C)	23.0	25.0	27.0	30.0	23.0	25.0	27.0	30.0	23.0	25.0	27.0	30.0	23.0	25.0	27.0	30.0
2160	27	TC	10.6	10.7	10.8	11.0	11.1	11.1	11.2	11.3	11.5	11.5	11.5	11.6	12.3	12.3	12.3	12.3
		S/T	0.78	0.96	1.00	1.00	0.63	0.81	0.91	1.00	0.53	0.70	0.81	1.00	0.31	0.47	0.57	0.75
		PI	3.30	3.30	3.30	3.30	3.30	3.30	3.30	3.30	3.30	3.30	3.30	3.30	3.31	3.31	3.31	3.31
	30	TC	10.3	10.4	10.6	10.7	10.8	10.8	10.9	11.0	11.1	11.1	11.1	11.3	12.0	12.0	12.0	12.0
		S/T	0.79	0.98	1.00	1.00	0.63	0.82	0.92	1.00	0.54	0.71	0.82	1.00	0.31	0.48	0.58	0.76
		PI	3.48	3.48	3.48	3.48	3.48	3.48	3.48	3.48	3.49	3.49	3.49	3.49	3.50	3.50	3.50	3.50
	32	TC	10.1	10.2	10.3	10.4	10.6	10.6	10.7	10.8	10.9	10.9	10.9	11.0	11.8	11.8	11.8	11.8
		S/T	0.80	0.99	1.00	1.00	0.64	0.82	0.93	1.00	0.54	0.72	0.83	1.00	0.31	0.48	0.58	0.77
		PI	3.61	3.61	3.61	3.61	3.61	3.61	3.61	3.61	3.61	3.62	3.62	3.62	3.62	3.64	3.64	3.64
	35	TC	9.8	9.9	10.0	10.1	10.3	10.3	10.4	10.5	10.6	10.6	10.8	10.9	11.4	11.4	11.4	11.4
		S/T	0.81	1.00	1.00	1.00	0.64	0.84	0.95	1.00	0.54	0.73	0.83	1.00	0.31	0.48	0.58	0.78
		PI	3.81	3.81	3.81	3.81	3.82	3.82	3.82	3.82	3.82	3.82	3.83	3.82	3.85	3.85	3.85	3.85
	43	TC	8.9	9.0	9.1	9.2	9.3	9.4	9.5	9.6	9.6	9.6	9.7	9.8	10.4	10.4	10.4	10.4
		S/T	0.84	1.00	1.00	1.00	0.66	0.88	1.00	1.00	0.55	0.76	0.88	1.00	0.30	0.49	0.60	0.90
		PI	4.44	4.44	4.44	4.44	4.45	4.45	4.45	4.45	4.46	4.46	4.46	4.46	4.50	4.50	4.50	4.50
	46	TC	8.6	8.6	8.7	8.8	9.0	9.1	9.1	9.2	9.3	9.3	9.3	9.4	10.1	10.1	10.1	10.1
		S/T	0.86	1.00	1.00	1.00	0.67	0.89	1.00	1.00	0.56	0.77	0.90	1.00	0.30	0.49	0.61	0.92
		PI	4.67	4.67	4.67	4.67	4.69	4.69	4.69	4.69	4.70	4.70	4.70	4.70	4.74	4.74	4.74	4.74
	52	TC	7.7	7.8	7.9	8.0	8.1	8.2	8.3	8.4	8.4	8.4	8.5	8.6	9.1	9.1	9.1	9.1
		S/T	0.90	1.00	1.00	1.00	0.70	0.94	1.00	1.00	0.57	0.81	0.95	1.00	0.29	0.51	0.64	0.97
		PI	5.27	5.27	5.27	5.27	5.29	5.29	5.29	5.29	5.30	5.30	5.30	5.30	5.34	5.34	5.34	5.34

TC: Total Cooling Capacity (kW)

S/T: Sensible Cooling Capacity Ratio

PI: Power Input (kW)

Note: The table shows the case where the operation frequency of a compressor is fixed.

MUE-42HRFNX-QRDO+MOD30U-42HFN8-QRDO																					
INDOOR AIRFLOW (CMH)	OUTDOOR DB(C)	ID WB (C)	16.0				18.0				19.0				22.0						
		ID DB (C)	23.0	25.0	27.0	30.0	23.0	25.0	27.0	30.0	23.0	25.0	27.0	30.0	23.0	25.0	27.0	30.0			
1417	27	TC	10.95	10.94	11.06	11.17	11.64	11.63	11.63	11.63	11.98	11.98	11.98	11.98	12.90	12.90	12.90	12.90			
		S/T	0.72	0.81	0.89	1.00	0.58	0.66	0.74	0.87	0.51	0.59	0.67	0.79	0.36	0.44	0.51	0.62			
		PI	3.09	3.09	3.09	3.09	3.09	3.09	3.09	3.09	3.09	3.09	3.09	3.09	3.09	3.10	3.10	3.10	3.10		
	30	TC	10.63	10.63	10.74	10.86	11.32	11.32	11.32	11.32	11.66	11.66	11.66	11.66	12.55	12.55	12.55	12.55			
		S/T	0.73	0.82	0.90	1.00	0.58	0.67	0.75	0.88	0.52	0.60	0.68	0.80	0.36	0.44	0.51	0.63			
		PI	3.25	3.25	3.25	3.25	3.26	3.26	3.26	3.26	3.26	3.26	3.26	3.26	3.28	3.28	3.28	3.28			
	32	TC	10.43	10.43	10.54	10.66	11.09	11.09	11.09	11.09	11.43	11.43	11.43	11.43	12.32	12.32	12.32	12.32			
		S/T	0.73	0.82	0.91	1.00	0.58	0.67	0.76	0.88	0.52	0.60	0.68	0.81	0.36	0.44	0.51	0.63			
		PI	3.37	3.37	3.37	3.37	3.38	3.38	3.38	3.38	3.39	3.39	3.39	3.39	3.41	3.41	3.41	3.41			
	35	TC	10.11	10.11	10.23	10.34	10.74	10.74	10.74	10.86	11.09	11.09	11.26	11.09	11.95	11.95	11.95	11.95			
		S/T	0.74	0.83	0.92	1.00	0.59	0.68	0.76	0.89	0.52	0.60	0.68	0.82	0.36	0.44	0.52	0.63			
		PI	3.56	3.56	3.56	3.56	3.58	3.58	3.58	3.58	3.58	3.58	3.59	3.58	3.61	3.61	3.61	3.61			
	43	TC	9.09	9.09	9.18	9.27	9.67	9.67	9.67	9.77	9.99	9.99	10.04	9.99	10.81	10.81	10.81	10.81			
		S/T	0.76	0.86	0.96	1.00	0.60	0.69	0.79	0.93	0.52	0.62	0.71	0.85	0.35	0.44	0.52	0.65			
		PI	4.15	4.15	4.15	4.15	4.17	4.17	4.17	4.17	4.18	4.18	4.18	4.18	4.21	4.21	4.21	4.21			
	46	TC	8.74	8.74	8.82	8.91	9.31	9.31	9.31	9.39	9.62	9.62	9.62	9.62	10.42	10.42	10.42	10.42			
		S/T	0.77	0.88	0.98	1.00	0.60	0.70	0.80	0.95	0.52	0.62	0.72	0.87	0.35	0.44	0.53	0.66			
		PI	4.37	4.37	4.37	4.37	4.39	4.39	4.39	4.39	4.40	4.40	4.40	4.40	4.44	4.44	4.44	4.44			
	52	TC	7.91	8.00	8.08	8.17	8.45	8.45	8.45	8.54	8.74	8.74	8.74	8.82	9.48	9.48	9.48	9.48			
		S/T	0.80	0.91	1.00	1.00	0.62	0.73	0.84	1.00	0.53	0.64	0.75	0.91	0.34	0.44	0.54	0.69			
		PI	4.93	4.93	4.93	4.93	4.95	4.95	4.95	4.95	4.97	4.97	4.97	4.97	5.00	5.00	5.00	5.00			
	1930	27	TC	11.18	11.29	11.41	11.52	11.87	11.87	11.87	11.98	12.24	12.24	12.24	12.36	13.16	13.16	13.16	13.16		
			S/T	0.79	0.90	1.00	1.00	0.61	0.72	0.83	0.99	0.53	0.64	0.74	0.90	0.34	0.44	0.54	0.69		
			PI	3.15	3.15	3.15	3.15	3.15	3.15	3.15	3.15	3.16	3.16	3.16	3.16	3.16	3.16	3.16	3.16	3.16	
30		TC	10.86	10.98	11.09	11.21	11.55	11.55	11.55	11.67	11.90	11.90	11.90	12.01	12.82	12.82	12.82	12.82			
		S/T	0.80	0.91	1.00	1.00	0.62	0.73	0.84	1.00	0.53	0.64	0.75	0.91	0.34	0.44	0.54	0.69			
		PI	3.32	3.32	3.32	3.32	3.33	3.33	3.33	3.33	3.33	3.33	3.33	3.33	3.35	3.35	3.35	3.35			
32		TC	10.63	10.75	10.86	10.98	11.32	11.32	11.32	11.44	11.67	11.67	11.67	11.78	12.59	12.59	12.59	12.59			
		S/T	0.80	0.92	1.00	1.00	0.62	0.73	0.85	1.00	0.53	0.65	0.76	0.92	0.34	0.44	0.55	0.70			
		PI	3.44	3.44	3.44	3.44	3.45	3.45	3.45	3.45	3.46	3.46	3.46	3.46	3.48	3.48	3.48	3.48			
35		TC	10.32	10.43	10.55	10.66	10.98	10.98	10.98	11.09	11.32	11.32	11.49	11.61	12.21	12.21	12.21	12.21			
		S/T	0.81	0.93	1.00	1.00	0.62	0.74	0.86	1.00	0.54	0.65	0.76	0.93	0.34	0.44	0.55	0.71			
		PI	3.64	3.64	3.64	3.64	3.65	3.65	3.65	3.65	3.66	3.66	3.66	3.66	3.66	3.66	3.66	3.66	3.66		
43		TC	9.22	9.32	9.41	9.50	9.83	9.83	9.90	9.99	10.15	10.15	10.20	10.29	10.97	10.97	10.97	10.97			
		S/T	0.85	0.98	1.00	1.00	0.64	0.77	0.90	1.00	0.55	0.67	0.80	0.98	0.33	0.45	0.56	0.74			
		PI	4.23	4.23	4.23	4.23	4.25	4.25	4.25	4.25	4.26	4.26	4.26	4.26	4.28	4.28	4.28	4.28			
46		TC	8.87	8.95	9.04	9.12	9.46	9.46	9.55	9.63	9.77	9.77	9.77	9.86	10.57	10.57	10.57	10.57			
		S/T	0.86	1.00	1.00	1.00	0.65	0.79	0.92	1.00	0.55	0.68	0.81	1.00	0.33	0.45	0.57	0.75			
		PI	4.45	4.45	4.45	4.45	4.47	4.47	4.47	4.47	4.48	4.48	4.48	4.48	4.52	4.52	4.52	4.52			
52		TC	8.02	8.10	8.19	8.27	8.58	8.58	8.67	8.75	8.87	8.87	8.87	8.95	9.63	9.63	9.63	9.63			
		S/T	0.90	1.00	1.00	1.00	0.67	0.82	0.96	1.00	0.57	0.71	0.85	1.00	0.32	0.46	0.59	0.91			
		PI	5.02	5.02	5.02	5.02	5.05	5.05	5.05	5.05	5.06	5.06	5.06	5.06	5.10	5.10	5.10	5.10			

Note: The table shows the case where the operation frequency of a compressor is fixed.

INDOOR AIRFLOW (CMH)	OUTDOOR DB(C)	ID WB (C)	16.0				18.0				19.0				22.0			
		ID DB (C)	23.0	25.0	27.0	30.0	23.0	25.0	27.0	30.0	23.0	25.0	27.0	30.0	23.0	25.0	27.0	30.0
2329	27	TC	11.41	11.52	11.64	11.75	12.13	12.13	12.24	12.36	12.47	12.47	12.47	12.59	13.45	13.45	13.45	13.45
		S/T	0.84	0.98	1.00	1.00	0.64	0.77	0.89	1.00	0.55	0.67	0.80	0.98	0.33	0.45	0.56	0.74
		PI	3.21	3.21	3.21	3.21	3.21	3.21	3.21	3.21	3.21	3.21	3.21	3.21	3.21	3.22	3.22	3.22
	30	TC	11.06	11.18	11.29	11.41	11.78	11.78	11.90	12.01	12.13	12.13	12.13	12.24	13.07	13.07	13.07	13.07
		S/T	0.85	0.99	1.00	1.00	0.65	0.78	0.91	1.00	0.55	0.68	0.81	1.00	0.33	0.45	0.57	0.75
		PI	3.39	3.39	3.39	3.39	3.40	3.40	3.40	3.40	3.40	3.40	3.40	3.40	3.40	3.42	3.42	3.42
	32	TC	10.86	10.98	11.09	11.21	11.55	11.55	11.67	11.78	11.90	11.90	11.90	12.01	12.82	12.82	12.82	12.82
		S/T	0.86	1.00	1.00	1.00	0.65	0.79	0.92	1.00	0.55	0.68	0.82	1.00	0.33	0.45	0.57	0.76
		PI	3.52	3.52	3.52	3.52	3.53	3.53	3.53	3.53	3.53	3.53	3.53	3.53	3.55	3.55	3.55	3.55
	35	TC	10.52	10.63	10.75	10.86	11.21	11.21	11.32	11.44	11.55	11.55	11.72	11.84	12.44	12.44	12.44	12.44
		S/T	0.87	1.00	1.00	1.00	0.66	0.80	0.93	1.00	0.56	0.69	0.82	1.00	0.33	0.45	0.58	0.77
		PI	3.70	3.70	3.70	3.70	3.72	3.72	3.72	3.72	3.72	3.72	3.73	3.72	3.75	3.75	3.75	3.75
	43	TC	9.40	9.49	9.59	9.68	10.04	10.04	10.13	10.23	10.36	10.36	10.49	10.60	11.20	11.20	11.20	11.20
		S/T	0.91	1.00	1.00	1.00	0.68	0.83	0.98	1.00	0.57	0.72	0.87	1.00	0.32	0.46	0.60	0.90
		PI	4.31	4.31	4.31	4.31	4.33	4.33	4.33	4.33	4.35	4.35	4.35	4.35	4.37	4.37	4.37	4.37
	46	TC	9.04	9.12	9.21	9.29	9.66	9.66	9.75	9.83	9.97	9.97	10.09	10.20	10.79	10.79	10.79	10.79
		S/T	0.93	1.00	1.00	1.00	0.69	0.85	1.00	1.00	0.58	0.73	0.88	1.00	0.32	0.46	0.61	0.92
		PI	4.54	4.54	4.54	4.54	4.56	4.56	4.56	4.56	4.58	4.58	4.58	4.58	4.61	4.61	4.61	4.61
	52	TC	8.19	8.27	8.36	8.44	8.75	8.84	8.92	9.01	9.07	9.07	9.15	9.24	9.83	9.83	9.83	9.83
		S/T	0.98	1.00	1.00	1.00	0.72	0.89	1.00	1.00	0.59	0.76	0.93	1.00	0.31	0.47	0.63	0.97
		PI	5.13	5.13	5.13	5.13	5.15	5.15	5.15	5.15	5.16	5.16	5.16	5.16	5.20	5.20	5.20	5.20

TC:Total Cooling Capacity (kW)

S/T:Sensible Cooling Capacity Ratio

PI:Power Input(kW)

Note: The table shows the case where the operation frequency of a compressor is fixed.

MUE-48HRFNX-QRDO+MOE30U-48HFN8-RRDO																			
INDOOR AIRFLOW (CMH)	OUTDOOR DB(C)	ID WB (C)	16.0				18.0				19.0				22.0				
		ID DB (C)	23.0	25.0	27.0	30.0	23.0	25.0	27.0	30.0	23.0	25.0	27.0	30.0	23.0	25.0	27.0	30.0	
1417	27	TC	13.6	13.6	13.6	13.7	14.2	14.2	14.2	14.2	14.7	14.7	14.7	14.7	15.8	15.8	15.8	15.8	
		S/T	0.65	0.75	0.80	0.91	0.56	0.65	0.71	0.81	0.50	0.59	0.64	0.74	0.37	0.45	0.50	0.59	
		PI	4.64	4.64	4.64	4.64	4.64	4.64	4.64	4.64	4.64	4.64	4.64	4.64	4.65	4.65	4.65	4.65	
	30	TC	13.2	13.2	13.2	13.4	13.8	13.8	13.8	13.8	14.2	14.2	14.2	14.2	15.4	15.4	15.4	15.4	
		S/T	0.65	0.75	0.81	0.92	0.56	0.65	0.71	0.82	0.50	0.59	0.65	0.75	0.37	0.45	0.50	0.60	
		PI	4.90	4.90	4.90	4.90	4.90	4.90	4.90	4.90	4.91	4.91	4.91	4.91	4.93	4.93	4.93	4.93	
	32	TC	13.0	13.0	13.0	13.1	13.6	13.6	13.6	13.6	14.0	14.0	14.0	14.0	15.1	15.1	15.1	15.1	
		S/T	0.66	0.76	0.82	0.93	0.56	0.66	0.71	0.82	0.50	0.59	0.65	0.75	0.37	0.45	0.50	0.60	
		PI	5.08	5.08	5.08	5.08	5.09	5.09	5.09	5.09	5.09	5.09	5.09	5.09	5.12	5.12	5.12	5.12	
	35	TC	12.5	12.5	12.5	12.7	13.2	13.2	13.2	13.2	13.6	13.6	13.8	13.6	14.6	14.6	14.6	14.6	
		S/T	0.66	0.76	0.82	0.94	0.56	0.66	0.72	0.83	0.50	0.60	0.65	0.76	0.36	0.45	0.50	0.60	
		PI	5.36	5.36	5.36	5.36	5.37	5.37	5.37	5.37	5.38	5.38	5.39	5.38	5.42	5.42	5.42	5.42	
	43	TC	11.4	11.4	11.4	11.5	11.9	11.9	11.9	11.9	12.3	12.3	12.4	12.3	13.3	13.3	13.3	13.3	
		S/T	0.67	0.78	0.85	0.98	0.57	0.68	0.74	0.86	0.50	0.61	0.67	0.79	0.35	0.45	0.51	0.62	
		PI	6.25	6.25	6.25	6.25	6.26	6.26	6.26	6.26	6.28	6.28	6.28	6.28	6.33	6.33	6.33	6.33	
	46	TC	11.0	11.0	11.0	11.1	11.5	11.5	11.5	11.5	11.9	11.9	11.9	11.9	12.9	12.9	12.9	12.9	
		S/T	0.68	0.80	0.87	0.99	0.57	0.68	0.75	0.88	0.50	0.61	0.68	0.80	0.35	0.45	0.51	0.62	
		PI	6.58	6.58	6.58	6.58	6.60	6.60	6.60	6.60	6.62	6.62	6.62	6.62	6.67	6.67	6.67	6.67	
	52	TC	9.9	9.9	10.0	10.1	10.4	10.4	10.4	10.6	10.8	10.8	10.8	10.8	11.7	11.7	11.7	11.7	
		S/T	0.69	0.82	0.90	1.00	0.58	0.70	0.78	0.91	0.51	0.63	0.70	0.83	0.34	0.45	0.52	0.64	
		PI	7.42	7.42	7.42	7.42	7.44	7.44	7.44	7.44	7.46	7.46	7.46	7.46	7.52	7.52	7.52	7.52	
	1930	27	TC	13.9	13.9	14.0	14.2	14.5	14.5	14.5	14.7	15.0	15.0	15.0	15.0	16.1	16.1	16.1	16.1
			S/T	0.69	0.82	0.89	1.00	0.58	0.70	0.77	0.90	0.51	0.62	0.69	0.83	0.34	0.45	0.52	0.64
			PI	4.73	4.73	4.73	4.73	4.73	4.73	4.73	4.73	4.74	4.74	4.74	4.74	4.75	4.75	4.75	4.75
30		TC	13.5	13.5	13.6	13.8	14.1	14.1	14.1	14.3	14.6	14.6	14.6	14.6	15.7	15.7	15.7	15.7	
		S/T	0.69	0.83	0.90	1.00	0.58	0.70	0.78	0.92	0.51	0.63	0.70	0.84	0.34	0.45	0.52	0.65	
		PI	5.00	5.00	5.00	5.00	5.00	5.00	5.00	5.00	5.01	5.01	5.01	5.01	5.03	5.03	5.03	5.03	
32		TC	13.2	13.2	13.4	13.5	13.9	13.9	13.9	14.0	14.3	14.3	14.3	14.3	15.4	15.4	15.4	15.4	
		S/T	0.70	0.83	0.91	1.00	0.58	0.71	0.79	0.92	0.51	0.63	0.71	0.84	0.34	0.45	0.52	0.65	
		PI	5.18	5.18	5.18	5.18	5.19	5.19	5.19	5.19	5.20	5.20	5.20	5.20	5.23	5.23	5.23	5.23	
35		TC	12.8	12.8	13.0	13.1	13.4	13.4	13.4	13.6	13.9	13.9	14.1	13.9	14.9	14.9	14.9	14.9	
		S/T	0.70	0.84	0.92	1.00	0.58	0.72	0.80	0.94	0.51	0.64	0.71	0.86	0.34	0.45	0.53	0.66	
		PI	5.47	5.47	5.47	5.47	5.48	5.48	5.48	5.48	5.49	5.49	5.50	5.49	5.49	5.49	5.49	5.49	
43		TC	11.6	11.7	11.8	12.0	12.2	12.2	12.2	12.3	12.6	12.6	12.7	12.7	13.6	13.6	13.6	13.6	
		S/T	0.73	0.88	0.96	1.00	0.60	0.74	0.83	0.98	0.51	0.65	0.74	0.89	0.33	0.46	0.54	0.68	
		PI	6.37	6.37	6.37	6.37	6.39	6.39	6.39	6.39	6.41	6.41	6.41	6.41	6.45	6.45	6.45	6.45	
46		TC	11.2	11.3	11.4	11.5	11.8	11.8	11.8	11.9	12.1	12.1	12.1	12.3	13.1	13.1	13.1	13.1	
		S/T	0.74	0.89	0.98	1.00	0.60	0.75	0.84	1.00	0.52	0.66	0.75	0.91	0.33	0.46	0.54	0.69	
		PI	6.71	6.71	6.71	6.71	6.73	6.73	6.73	6.73	6.75	6.75	6.75	6.75	6.81	6.81	6.81	6.81	
52		TC	10.1	10.2	10.3	10.4	10.7	10.7	10.7	10.8	11.0	11.0	11.0	11.1	12.0	12.0	12.0	12.0	
		S/T	0.76	0.93	1.00	1.00	0.62	0.78	0.88	1.00	0.53	0.69	0.78	0.96	0.32	0.47	0.56	0.91	
		PI	7.57	7.57	7.57	7.57	7.59	7.59	7.59	7.59	7.61	7.61	7.61	7.61	7.67	7.67	7.67	7.67	

Note: The table shows the case where the operation frequency of a compressor is fixed.

INDOOR AIRFLOW (CMH)	OUTDOOR DB (C)	ID WB (C)	16.0				18.0				19.0				22.0			
		ID DB (C)	23.0	25.0	27.0	30.0	23.0	25.0	27.0	30.0	23.0	25.0	27.0	30.0	23.0	25.0	27.0	30.0
2329	27	TC	14.2	14.2	14.3	14.5	14.8	14.8	14.8	15.0	15.3	15.3	15.3	15.4	16.5	16.5	16.5	16.5
		S/T	0.72	0.87	0.96	1.00	0.60	0.74	0.83	0.98	0.51	0.65	0.74	0.89	0.33	0.46	0.54	0.68
		PI	4.83	4.83	4.83	4.83	4.83	4.83	4.83	4.83	4.83	4.83	4.83	4.83	4.84	4.84	4.84	4.84
	30	TC	13.8	13.8	13.9	14.1	14.4	14.4	14.4	14.6	14.9	14.9	14.9	15.0	16.0	16.0	16.0	16.0
		S/T	0.73	0.88	0.97	1.00	0.60	0.75	0.84	1.00	0.52	0.66	0.75	0.90	0.33	0.46	0.54	0.69
		PI	5.10	5.10	5.10	5.10	5.10	5.10	5.10	5.10	5.11	5.11	5.11	5.11	5.13	5.13	5.13	5.13
	32	TC	13.5	13.7	13.8	14.0	14.2	14.2	14.2	14.3	14.6	14.6	14.6	14.7	15.7	15.7	15.7	15.7
		S/T	0.74	0.89	0.98	1.00	0.60	0.75	0.84	1.00	0.52	0.66	0.75	0.91	0.33	0.46	0.54	0.70
		PI	5.28	5.28	5.28	5.28	5.29	5.29	5.29	5.29	5.30	5.30	5.30	5.30	5.33	5.33	5.33	5.33
	35	TC	13.1	13.2	13.4	13.5	13.7	13.7	13.7	13.9	14.2	14.2	14.4	14.5	15.3	15.3	15.3	15.3
		S/T	0.74	0.90	0.99	1.00	0.61	0.76	0.85	1.00	0.52	0.67	0.76	0.92	0.32	0.46	0.55	0.70
		PI	5.58	5.58	5.58	5.58	5.59	5.59	5.59	5.59	5.60	5.60	5.61	5.60	5.64	5.64	5.64	5.64
	43	TC	11.9	12.0	12.1	12.3	12.5	12.5	12.5	12.7	12.9	12.9	12.9	13.0	13.9	13.9	13.9	13.9
		S/T	0.77	0.94	1.00	1.00	0.62	0.79	0.89	1.00	0.53	0.69	0.79	0.97	0.32	0.47	0.56	0.90
		PI	6.50	6.50	6.50	6.50	6.52	6.52	6.52	6.52	6.54	6.54	6.54	6.54	6.59	6.59	6.59	6.59
	46	TC	11.4	11.5	11.7	11.8	12.0	12.0	12.1	12.2	12.4	12.4	12.4	12.5	13.4	13.4	13.4	13.4
		S/T	0.78	0.96	1.00	1.00	0.63	0.81	0.91	1.00	0.53	0.70	0.81	1.00	0.31	0.47	0.57	0.92
		PI	6.84	6.84	6.84	6.84	6.87	6.87	6.87	6.87	6.89	6.89	6.89	6.89	6.94	6.94	6.94	6.94
	52	TC	10.3	10.5	10.6	10.7	10.9	10.9	11.0	11.1	11.3	11.3	11.3	11.4	12.2	12.2	12.2	12.2
		S/T	0.82	1.00	1.00	1.00	0.65	0.84	0.96	1.00	0.54	0.73	0.85	1.00	0.31	0.48	0.59	0.97
		PI	7.72	7.72	7.72	7.72	7.75	7.75	7.75	7.75	7.77	7.77	7.77	7.77	7.82	7.82	7.82	7.82

TC:Total Cooling Capacity (kW)

S/T:Sensible Cooling Capacity Ratio

PI:Power Input(kW)

Note: The table shows the case where the operation frequency of a compressor is fixed.

MUE-55HRFNX-QRDO+MOE30U-55HFN8-RRDO																			
INDOOR AIRFLOW (CMH)	OUTDOOR DB(C)	ID WB (C)	16.0				18.0				19.0				22.0				
		ID DB (C)	23.0	25.0	27.0	30.0	23.0	25.0	27.0	30.0	23.0	25.0	27.0	30.0	23.0	25.0	27.0	30.0	
1426	27	TC	15.3	15.3	15.3	15.3	16.0	16.0	16.0	16.0	16.5	16.5	16.5	16.5	17.8	17.8	17.8	17.8	
		S/T	0.64	0.73	0.78	0.88	0.56	0.64	0.69	0.78	0.51	0.58	0.63	0.72	0.38	0.46	0.50	0.58	
		PI	0.01	0.01	0.01	0.01	0.01	0.01	0.01	0.01	0.01	0.01	0.01	0.01	0.01	0.01	0.01	0.01	
	30	TC	14.9	14.9	14.9	14.9	15.6	15.6	15.6	15.6	16.0	16.0	16.0	16.0	17.3	17.3	17.3	17.3	
		S/T	0.65	0.73	0.79	0.88	0.56	0.64	0.69	0.79	0.51	0.59	0.63	0.73	0.38	0.45	0.50	0.58	
		PI	0.01	0.01	0.01	0.01	0.01	0.01	0.01	0.01	0.01	0.01	0.01	0.01	0.01	0.01	0.01	0.01	
	32	TC	14.6	14.6	14.6	14.7	15.3	15.3	15.3	15.3	15.7	15.7	15.7	15.7	17.0	17.0	17.0	17.0	
		S/T	0.65	0.74	0.79	0.89	0.56	0.64	0.70	0.79	0.50	0.59	0.64	0.73	0.38	0.45	0.50	0.59	
		PI	0.01	0.01	0.01	0.01	0.01	0.01	0.01	0.01	0.01	0.01	0.01	0.01	0.01	0.01	0.01	0.01	
	35	TC	14.1	14.1	14.1	14.3	14.8	14.8	14.8	14.8	15.3	15.3	15.5	15.3	16.5	16.5	16.5	16.5	
		S/T	0.65	0.74	0.80	0.90	0.56	0.65	0.70	0.80	0.50	0.59	0.64	0.74	0.37	0.45	0.50	0.59	
		PI	0.01	0.01	0.01	0.01	0.01	0.01	0.01	0.01	0.01	0.01	0.01	0.01	0.01	0.01	0.01	0.01	
	43	TC	12.8	12.8	12.8	13.0	13.5	13.5	13.5	13.5	13.9	13.9	13.9	13.9	15.0	15.0	15.0	15.0	
		S/T	0.66	0.76	0.82	0.93	0.56	0.66	0.72	0.83	0.50	0.60	0.65	0.76	0.36	0.45	0.50	0.60	
		PI	0.01	0.01	0.01	0.01	0.01	0.01	0.01	0.01	0.01	0.01	0.01	0.01	0.01	0.01	0.01	0.01	
	46	TC	12.3	12.3	12.3	12.5	13.0	13.0	13.0	13.0	13.4	13.4	13.4	13.4	14.5	14.5	14.5	14.5	
		S/T	0.66	0.77	0.83	0.95	0.56	0.66	0.72	0.84	0.50	0.60	0.66	0.77	0.36	0.45	0.50	0.61	
		PI	0.01	0.01	0.01	0.01	0.01	0.01	0.01	0.01	0.01	0.01	0.01	0.01	0.01	0.01	0.01	0.01	
	52	TC	11.2	11.2	11.2	11.3	11.8	11.8	11.8	11.8	12.1	12.1	12.1	12.1	13.2	13.2	13.2	13.2	
		S/T	0.68	0.79	0.86	0.99	0.57	0.68	0.75	0.87	0.50	0.61	0.68	0.80	0.35	0.45	0.51	0.62	
		PI	0.01	0.01	0.01	0.01	0.01	0.01	0.01	0.01	0.01	0.01	0.01	0.01	0.01	0.01	0.01	0.01	
	1834	27	TC	15.6	15.6	15.6	15.8	16.4	16.4	16.4	16.4	16.9	16.9	16.9	16.9	18.1	18.1	18.1	18.1
			S/T	0.66	0.77	0.84	0.95	0.56	0.67	0.73	0.84	0.50	0.60	0.66	0.77	0.36	0.45	0.51	0.61
			PI	0.01	0.01	0.01	0.01	0.01	0.01	0.01	0.01	0.01	0.01	0.01	0.01	0.01	0.01	0.01	0.01
30		TC	15.2	15.2	15.2	15.3	15.9	15.9	15.9	15.9	16.4	16.4	16.4	16.4	17.6	17.6	17.6	17.6	
		S/T	0.67	0.78	0.84	0.96	0.57	0.67	0.74	0.85	0.50	0.60	0.67	0.78	0.36	0.45	0.51	0.61	
		PI	0.01	0.01	0.01	0.01	0.01	0.01	0.01	0.01	0.01	0.01	0.01	0.01	0.01	0.01	0.01	0.01	
32		TC	14.9	14.9	14.9	15.0	15.6	15.6	15.6	15.6	16.1	16.1	16.1	16.1	17.3	17.3	17.3	17.3	
		S/T	0.67	0.78	0.85	0.97	0.57	0.67	0.74	0.86	0.50	0.61	0.67	0.79	0.35	0.45	0.51	0.62	
		PI	0.01	0.01	0.01	0.01	0.01	0.01	0.01	0.01	0.01	0.01	0.01	0.01	0.01	0.01	0.01	0.01	
35		TC	14.4	14.4	14.4	14.6	15.1	15.1	15.1	15.1	15.6	15.6	15.8	15.6	16.8	16.8	16.8	16.8	
		S/T	0.68	0.79	0.86	0.99	0.57	0.68	0.75	0.87	0.50	0.61	0.67	0.80	0.35	0.45	0.51	0.62	
		PI	0.01	0.01	0.01	0.01	0.01	0.01	0.01	0.01	0.01	0.01	0.01	0.01	0.01	0.01	0.01	0.01	
43		TC	13.1	13.1	13.2	13.3	13.7	13.7	13.7	13.8	14.2	14.2	14.2	14.2	15.3	15.3	15.3	15.3	
		S/T	0.69	0.82	0.89	1.00	0.58	0.70	0.77	0.90	0.51	0.62	0.69	0.83	0.34	0.45	0.52	0.64	
		PI	0.01	0.01	0.01	0.01	0.01	0.01	0.01	0.01	0.01	0.01	0.01	0.01	0.01	0.01	0.01	0.01	
46		TC	12.6	12.6	12.7	12.8	13.2	13.2	13.2	13.4	13.7	13.7	13.7	13.7	14.8	14.8	14.8	14.8	
		S/T	0.70	0.83	0.91	1.00	0.58	0.71	0.78	0.92	0.51	0.63	0.70	0.84	0.34	0.45	0.52	0.65	
		PI	0.01	0.01	0.01	0.01	0.01	0.01	0.01	0.01	0.01	0.01	0.01	0.01	0.01	0.01	0.01	0.01	
52		TC	11.4	11.4	11.5	11.6	12.0	12.0	12.0	12.1	12.4	12.4	12.4	12.4	13.5	13.5	13.5	13.5	
		S/T	0.72	0.87	0.95	1.00	0.59	0.73	0.82	0.97	0.51	0.65	0.73	0.88	0.33	0.46	0.53	0.91	
		PI	0.01	0.01	0.01	0.01	0.01	0.01	0.01	0.01	0.01	0.01	0.01	0.01	0.01	0.01	0.01	0.01	

Note: The table shows the case where the operation frequency of a compressor is fixed.

INDOOR AIRFLOW (CMH)	OUTDOOR DB (C)	ID WB (C)	16.0				18.0				19.0				22.0			
		ID DB (C)	23.0	25.0	27.0	30.0	23.0	25.0	27.0	30.0	23.0	25.0	27.0	30.0	23.0	25.0	27.0	30.0
2454	27	TC	15.9	15.9	16.1	16.2	16.7	16.7	16.7	16.9	17.2	17.2	17.2	17.2	18.5	18.5	18.5	18.5
		S/T	0.71	0.85	0.93	1.00	0.59	0.72	0.80	0.95	0.51	0.64	0.72	0.87	0.33	0.46	0.53	0.67
		PI	0.01	0.01	0.01	0.01	0.01	0.01	0.01	0.01	0.01	0.01	0.01	0.01	0.01	0.01	0.01	0.01
	30	TC	15.5	15.5	15.7	15.8	16.2	16.2	16.2	16.4	16.7	16.7	16.7	16.7	18.0	18.0	18.0	18.0
		S/T	0.72	0.86	0.94	1.00	0.59	0.73	0.81	0.96	0.51	0.65	0.73	0.88	0.33	0.46	0.53	0.67
		PI	0.01	0.01	0.01	0.01	0.01	0.01	0.01	0.01	0.01	0.01	0.01	0.01	0.01	0.01	0.01	0.01
	32	TC	15.2	15.2	15.3	15.5	15.9	15.9	15.9	16.1	16.4	16.4	16.4	16.6	17.7	17.7	17.7	17.7
		S/T	0.72	0.87	0.95	1.00	0.59	0.73	0.82	0.97	0.51	0.65	0.73	0.88	0.33	0.46	0.53	0.68
		PI	0.01	0.01	0.01	0.01	0.01	0.01	0.01	0.01	0.01	0.01	0.01	0.01	0.01	0.01	0.01	0.01
	35	TC	14.7	14.7	14.9	15.0	15.4	15.4	15.4	15.6	15.9	15.9	16.1	16.3	17.1	17.1	17.1	17.1
		S/T	0.73	0.88	0.97	1.00	0.60	0.74	0.83	0.99	0.52	0.66	0.74	0.89	0.33	0.46	0.54	0.69
		PI	0.01	0.01	0.01	0.01	0.01	0.01	0.01	0.01	0.01	0.01	0.01	0.01	0.01	0.01	0.01	0.01
	43	TC	13.3	13.4	13.6	13.7	14.0	14.0	14.0	14.2	14.5	14.5	14.5	14.7	15.6	15.6	15.6	15.6
		S/T	0.75	0.91	1.00	1.00	0.61	0.77	0.87	1.00	0.52	0.68	0.77	0.94	0.32	0.46	0.55	0.90
		PI	0.01	0.01	0.01	0.01	0.01	0.01	0.01	0.01	0.01	0.01	0.01	0.01	0.01	0.01	0.01	0.01
	46	TC	12.8	13.0	13.1	13.2	13.5	13.5	13.5	13.6	13.9	13.9	13.9	14.1	15.1	15.1	15.1	15.1
		S/T	0.76	0.93	1.00	1.00	0.62	0.78	0.88	1.00	0.53	0.69	0.78	0.96	0.32	0.47	0.56	0.92
		PI	0.01	0.01	0.01	0.01	0.01	0.01	0.01	0.01	0.01	0.01	0.01	0.01	0.01	0.01	0.01	0.01
	52	TC	11.6	11.8	11.9	12.0	12.3	12.3	12.4	12.5	12.7	12.7	12.7	12.8	13.7	13.7	13.7	13.7
		S/T	0.79	0.98	1.00	1.00	0.63	0.82	0.92	1.00	0.54	0.71	0.82	1.00	0.31	0.47	0.57	0.97
		PI	0.01	0.01	0.01	0.01	0.01	0.01	0.01	0.01	0.01	0.01	0.01	0.01	0.01	0.01	0.01	0.01

TC:Total Cooling Capacity (kW)

S/T:Sensible Cooling Capacity Ratio

PI:Power Input(kW)

Note: The table shows the case where the operation frequency of a compressor is fixed.

7.2 Heating

MUE-18HRFNX-QRDO+MOB30U-18HFN8-QRDO									
HEATING PERFORMANCE AT INDOOR DRY BULB TEMPERATURE									
INDOOR AIRFLOW (CMH)	OUTDOOR DB(°C)	TC:TOTAL CAPACITY IN KILOWATTS (KW)				PI:TOTAL POWER IN KILOWATTS (KW)			
		Indoor Conditions (DB °C)				Indoor Conditions (DB °C)			
		16.0	20.0	22.0	24.0	16.0	20.0	22.0	24.0
677	-7.0	4.0	3.8	4.0	3.9	1.53	1.58	1.58	1.60
	-5.6	4.1	4.0	4.0	4.0	1.52	1.55	1.56	1.58
	-2.8	4.2	4.2	4.1	4.1	1.49	1.53	1.54	1.56
	0.0	4.3	4.3	4.2	4.2	1.47	1.50	1.52	1.54
	2.8	4.6	4.5	4.5	4.5	1.47	1.50	1.51	1.53
	5.6	5.0	5.0	5.0	4.9	1.46	1.49	1.50	1.52
	7.0	5.4	5.5	5.3	5.3	1.46	1.49	1.50	1.52
	11.1	5.8	5.7	5.7	5.7	1.44	1.47	1.48	1.50
	13.9	6.1	6.0	6.0	5.9	1.42	1.45	1.47	1.48
	16.7	6.4	6.3	6.2	6.2	1.41	1.44	1.45	1.46
18.0	6.5	6.4	6.4	6.3	1.40	1.43	1.44	1.46	
786	-7.0	4.1	3.9	4.0	4.0	1.54	1.59	1.59	1.61
	-5.6	4.1	4.1	4.1	4.0	1.53	1.56	1.58	1.59
	-2.8	4.3	4.2	4.2	4.2	1.51	1.54	1.55	1.57
	0.0	4.4	4.4	4.3	4.3	1.48	1.52	1.53	1.55
	2.8	4.7	4.7	4.6	4.6	1.48	1.51	1.52	1.54
	5.6	5.2	5.1	5.0	5.0	1.47	1.50	1.51	1.53
	7.0	5.5	5.6	5.4	5.4	1.47	1.50	1.51	1.53
	11.1	5.9	5.9	5.8	5.8	1.45	1.48	1.49	1.50
	13.9	6.2	6.2	6.1	6.1	1.43	1.46	1.47	1.49
	16.7	6.5	6.4	6.4	6.3	1.42	1.45	1.46	1.47
18.0	6.7	6.6	6.5	6.4	1.41	1.44	1.45	1.46	
902	-7.0	4.2	4.0	4.1	4.0	1.56	1.61	1.61	1.63
	-5.6	4.2	4.1	4.1	4.1	1.54	1.58	1.59	1.61
	-2.8	4.4	4.3	4.3	4.2	1.52	1.56	1.57	1.59
	0.0	4.5	4.4	4.4	4.4	1.50	1.53	1.55	1.57
	2.8	4.7	4.7	4.7	4.6	1.49	1.53	1.54	1.56
	5.6	5.2	5.1	5.1	5.1	1.49	1.52	1.53	1.55
	7.0	5.6	5.6	5.5	5.5	1.49	1.52	1.53	1.55
	11.1	6.0	5.9	5.9	5.9	1.47	1.50	1.51	1.53
	13.9	6.3	6.2	6.2	6.1	1.45	1.48	1.50	1.51
	16.7	6.6	6.5	6.4	6.4	1.44	1.47	1.48	1.50
18.0	6.7	6.6	6.6	6.5	1.43	1.46	1.47	1.49	

Note: The table shows the case where the operation frequency of a compressor is fixed.

MUE-24HRFNX-QRD0+MOCA30U-24HFN8-QRD0									
HEATING PERFORMANCE AT INDOOR DRY BULB TEMPERATURE									
INDOOR AIRFLOW (CMH)	OUTDOOR DB(°C)	TC:TOTAL CAPACITY IN KILOWATTS (KW)				PI:TOTAL POWER IN KILOWATTS (KW)			
		Indoor Conditions (DB °C)				Indoor Conditions (DB °C)			
		16.0	20.0	22.0	24.0	16.0	20.0	22.0	24.0
853	-7.0	6.2	5.9	6.1	6.0	2.69	2.78	2.73	2.74
	-5.6	6.1	6.1	6.0	6.0	2.61	2.64	2.65	2.66
	-2.8	6.2	6.2	6.2	6.1	2.49	2.50	2.51	2.52
	0.0	6.3	6.2	6.2	6.1	2.36	2.37	2.38	2.38
	2.8	6.6	6.5	6.4	6.4	2.25	2.26	2.26	2.27
	5.6	7.0	6.9	6.9	6.9	2.14	2.14	2.15	2.15
	7.0	7.5	7.5	7.3	7.3	2.09	2.03	2.09	2.09
	11.1	7.9	7.8	7.7	7.6	1.92	1.91	1.90	1.90
	13.9	8.1	8.0	7.9	7.9	1.80	1.78	1.78	1.77
	16.7	8.4	8.3	8.2	8.1	1.68	1.66	1.65	1.64
18.0	8.5	8.4	8.3	8.3	1.62	1.60	1.59	1.58	
1066	-7.0	6.3	6.1	6.2	6.2	2.71	2.81	2.75	2.76
	-5.6	6.3	6.2	6.2	6.1	2.64	2.66	2.67	2.69
	-2.8	6.4	6.3	6.3	6.2	2.51	2.53	2.54	2.55
	0.0	6.4	6.3	6.3	6.2	2.38	2.39	2.40	2.41
	2.8	6.7	6.6	6.5	6.5	2.27	2.28	2.28	2.29
	5.6	7.2	7.1	7.0	7.0	2.16	2.16	2.17	2.17
	7.0	7.6	7.6	7.5	7.4	2.11	2.05	2.11	2.11
	11.1	8.0	7.9	7.9	7.8	1.94	1.93	1.92	1.92
	13.9	8.3	8.2	8.1	8.1	1.82	1.80	1.80	1.79
	16.7	8.6	8.4	8.4	8.3	1.70	1.68	1.67	1.66
18.0	8.7	8.6	8.5	8.4	1.64	1.62	1.61	1.60	
1208	-7.0	6.3	6.1	6.2	6.2	2.73	2.83	2.78	2.79
	-5.6	6.3	6.2	6.2	6.2	2.66	2.69	2.70	2.71
	-2.8	6.4	6.4	6.3	6.3	2.53	2.55	2.56	2.57
	0.0	6.5	6.4	6.4	6.3	2.40	2.42	2.42	2.43
	2.8	6.7	6.7	6.6	6.6	2.29	2.30	2.30	2.31
	5.6	7.3	7.2	7.1	7.1	2.18	2.19	2.19	2.19
	7.0	7.7	7.7	7.6	7.5	2.13	2.07	2.13	2.13
	11.1	8.1	8.0	7.9	7.9	1.95	1.95	1.94	1.94
	13.9	8.4	8.3	8.2	8.1	1.83	1.82	1.81	1.81
	16.7	8.6	8.5	8.5	8.4	1.72	1.70	1.69	1.68
18.0	8.8	8.7	8.6	8.5	1.66	1.64	1.62	1.61	

Note: The table shows the case where the operation frequency of a compressor is fixed.

MUE-30HRFNX-QRDO+MOD30U-30HFN8-QRDO									
HEATING PERFORMANCE AT INDOOR DRY BULB TEMPERATURE									
INDOOR AIRFLOW (CMH)	OUTDOOR DB(°C)	TC:TOTAL CAPACITY IN KILOWATTS (KW)				PI:TOTAL POWER IN KILOWATTS (KW)			
		Indoor Conditions (DB °C)				Indoor Conditions (DB °C)			
		16.0	20.0	22.0	24.0	16.0	20.0	22.0	24.0
1431	-7.0	7.00	6.92	6.89	6.84	2.49	2.57	2.56	2.59
	-5.6	7.27	7.18	7.15	7.09	2.46	2.50	2.53	2.55
	-2.8	7.53	7.44	7.38	7.36	2.40	2.45	2.47	2.50
	0.0	7.68	7.59	7.53	7.50	2.35	2.40	2.42	2.44
	2.8	8.14	8.02	7.97	7.91	2.33	2.37	2.39	2.41
	5.6	8.87	8.75	8.69	8.63	2.30	2.34	2.36	2.38
	7.0	9.65	9.53	9.30	9.24	2.29	2.32	2.35	2.37
	11.1	10.14	9.99	9.93	9.88	2.23	2.27	2.29	2.30
	13.9	10.57	10.43	10.37	10.28	2.20	2.23	2.24	2.26
	16.7	11.04	10.86	10.81	10.72	2.16	2.20	2.20	2.22
18.0	11.24	11.10	11.01	10.92	2.14	2.18	2.19	2.20	
1844	-7.0	7.15	7.07	7.04	7.01	2.52	2.60	2.59	2.62
	-5.6	7.41	7.33	7.30	7.27	2.48	2.53	2.56	2.58
	-2.8	7.68	7.59	7.56	7.50	2.43	2.48	2.50	2.52
	0.0	7.85	7.76	7.70	7.65	2.38	2.42	2.45	2.47
	2.8	8.32	8.20	8.14	8.08	2.35	2.39	2.41	2.44
	5.6	9.07	8.93	8.87	8.81	2.32	2.36	2.38	2.40
	7.0	9.89	9.73	9.50	9.44	2.31	2.35	2.37	2.39
	11.1	10.34	10.22	10.14	10.08	2.25	2.29	2.31	2.33
	13.9	10.81	10.66	10.60	10.52	2.21	2.25	2.26	2.28
	16.7	11.27	11.10	11.04	10.95	2.18	2.20	2.22	2.24
18.0	11.47	11.33	11.24	11.15	2.16	2.19	2.20	2.22	
2160	-7.0	7.18	7.12	7.07	7.04	2.55	2.63	2.62	2.65
	-5.6	7.47	7.41	7.36	7.33	2.51	2.56	2.59	2.61
	-2.8	7.76	7.65	7.62	7.56	2.46	2.51	2.53	2.55
	0.0	7.91	7.82	7.76	7.70	2.41	2.45	2.47	2.50
	2.8	8.37	8.26	8.20	8.17	2.38	2.42	2.44	2.46
	5.6	9.13	9.01	8.95	8.90	2.35	2.39	2.41	2.43
	7.0	9.94	9.82	9.59	9.50	2.34	2.37	2.40	2.42
	11.1	10.46	10.31	10.22	10.17	2.28	2.32	2.33	2.35
	13.9	10.92	10.75	10.69	10.60	2.24	2.27	2.29	2.31
	16.7	11.36	11.21	11.13	11.07	2.20	2.23	2.25	2.26
18.0	11.59	11.42	11.36	11.27	2.19	2.21	2.23	2.24	

Note: The table shows the case where the operation frequency of a compressor is fixed.

MUE-36HRFNX-QRDO+MOD30U-36HFN8-QRDO									
HEATING PERFORMANCE AT INDOOR DRY BULB TEMPERATURE									
INDOOR AIRFLOW (CMH)	OUTDOOR DB(°C)	TC:TOTAL CAPACITY IN KILOWATTS (KW)				PI:TOTAL POWER IN KILOWATTS (KW)			
		Indoor Conditions (DB °C)				Indoor Conditions (DB °C)			
		16.0	20.0	22.0	24.0	16.0	20.0	22.0	24.0
1431	-7.0	9.8	9.6	9.7	9.7	3.98	4.12	4.04	4.06
	-5.6	9.8	9.7	9.6	9.6	3.87	3.91	3.93	3.95
	-2.8	9.8	9.6	9.6	9.6	3.68	3.71	3.73	3.74
	0.0	9.6	9.6	9.5	9.4	3.49	3.51	3.52	3.53
	2.8	9.9	9.8	9.7	9.6	3.34	3.35	3.35	3.36
	5.6	10.4	10.3	10.2	10.2	3.18	3.18	3.18	3.18
	7.0	11.0	10.9	10.8	10.7	3.10	3.01	3.10	3.10
	11.1	11.3	11.2	11.1	11.0	2.84	2.83	2.82	2.82
	13.9	11.5	11.4	11.3	11.2	2.67	2.65	2.64	2.62
	16.7	11.8	11.6	11.5	11.4	2.49	2.46	2.45	2.43
18.0	11.9	11.7	11.6	11.5	2.41	2.38	2.36	2.34	
1844	-7.0	10.1	9.8	9.9	9.9	4.02	4.17	4.08	4.10
	-5.6	9.9	9.8	9.8	9.8	3.92	3.95	3.97	3.99
	-2.8	10.0	9.8	9.8	9.7	3.72	3.75	3.77	3.78
	0.0	9.8	9.7	9.7	9.6	3.53	3.55	3.56	3.57
	2.8	10.1	10.0	9.9	9.8	3.37	3.38	3.39	3.39
	5.6	10.6	10.5	10.4	10.4	3.21	3.21	3.21	3.21
	7.0	11.2	11.1	11.0	10.9	3.13	3.04	3.13	3.13
	11.1	11.5	11.4	11.3	11.3	2.87	2.86	2.85	2.84
	13.9	11.8	11.6	11.5	11.5	2.69	2.67	2.66	2.65
	16.7	12.0	11.8	11.8	11.7	2.52	2.49	2.47	2.46
18.0	12.1	12.0	11.9	11.8	2.43	2.40	2.38	2.36	
2160	-7.0	10.2	9.9	10.0	10.0	4.07	4.21	4.13	4.15
	-5.6	10.1	10.0	9.9	9.8	3.96	3.99	4.01	4.03
	-2.8	10.1	10.0	9.9	9.8	3.76	3.79	3.81	3.82
	0.0	10.0	9.8	9.8	9.7	3.57	3.59	3.60	3.61
	2.8	10.2	10.1	10.0	9.9	3.40	3.42	3.42	3.43
	5.6	10.8	10.6	10.6	10.5	3.24	3.24	3.25	3.25
	7.0	11.3	11.3	11.1	11.0	3.16	3.07	3.16	3.16
	11.1	11.7	11.5	11.4	11.4	2.90	2.88	2.88	2.87
	13.9	11.9	11.8	11.7	11.6	2.72	2.70	2.69	2.67
	16.7	12.1	12.0	11.9	11.8	2.54	2.51	2.49	2.48
18.0	12.3	12.1	12.0	11.9	2.45	2.42	2.40	2.38	

Note: The table shows the case where the operation frequency of a compressor is fixed.

MUE-36HRFNX-QRDO+MOD30U-36HFN8-RRDO									
HEATING PERFORMANCE AT INDOOR DRY BULB TEMPERATURE									
INDOOR AIRFLOW (CMH)	OUTDOOR DB(°C)	TC:TOTAL CAPACITY IN KILOWATTS (KW)				PI:TOTAL POWER IN KILOWATTS (KW)			
		Indoor Conditions (DB °C)				Indoor Conditions (DB °C)			
		16.0	20.0	22.0	24.0	16.0	20.0	22.0	24.0
1431	-7.0	10.2	10.0	10.1	10.0	4.30	4.46	4.35	4.36
	-5.6	10.1	10.0	9.9	9.9	4.17	4.19	4.20	4.21
	-2.8	10.0	9.9	9.8	9.8	3.92	3.93	3.94	3.94
	0.0	9.8	9.7	9.7	9.6	3.67	3.67	3.67	3.67
	2.8	10.0	9.9	9.8	9.8	3.45	3.44	3.43	3.43
	5.6	10.5	10.3	10.3	10.2	3.23	3.21	3.20	3.19
	7.0	11.0	10.9	10.8	10.7	3.12	2.97	3.08	3.07
	11.1	11.3	11.1	11.0	10.9	2.78	2.73	2.71	2.69
	13.9	11.4	11.3	11.2	11.1	2.54	2.49	2.46	2.43
	16.7	11.6	11.4	11.3	11.2	2.31	2.24	2.21	2.18
18.0	11.6	11.5	11.4	11.3	2.20	2.13	2.09	2.06	
1844	-7.0	10.4	10.2	10.3	10.2	4.35	4.51	4.39	4.41
	-5.6	10.3	10.2	10.1	10.1	4.21	4.23	4.25	4.26
	-2.8	10.2	10.1	10.1	10.0	3.96	3.97	3.98	3.98
	0.0	10.1	9.9	9.9	9.8	3.71	3.71	3.71	3.71
	2.8	10.2	10.1	10.0	10.0	3.49	3.47	3.47	3.46
	5.6	10.7	10.6	10.5	10.4	3.26	3.24	3.23	3.22
	7.0	11.3	11.1	11.0	11.0	3.16	3.00	3.11	3.10
	11.1	11.5	11.3	11.3	11.2	2.80	2.76	2.74	2.72
	13.9	11.7	11.5	11.4	11.3	2.57	2.51	2.49	2.46
	16.7	11.8	11.6	11.5	11.5	2.33	2.27	2.23	2.20
18.0	11.9	11.7	11.6	11.5	2.22	2.15	2.11	2.08	
2160	-7.0	10.5	10.3	10.4	10.3	4.39	4.55	4.43	4.45
	-5.6	10.4	10.3	10.3	10.2	4.25	4.28	4.29	4.30
	-2.8	10.3	10.2	10.2	10.1	4.00	4.01	4.02	4.02
	0.0	10.2	10.1	10.0	9.9	3.74	3.74	3.74	3.75
	2.8	10.3	10.2	10.1	10.1	3.52	3.51	3.50	3.50
	5.6	10.8	10.7	10.6	10.6	3.30	3.27	3.26	3.25
	7.0	11.4	11.3	11.1	11.1	3.19	3.03	3.15	3.13
	11.1	11.6	11.5	11.4	11.3	2.83	2.79	2.77	2.75
	13.9	11.8	11.6	11.5	11.4	2.59	2.54	2.51	2.48
	16.7	11.9	11.8	11.7	11.6	2.35	2.29	2.26	2.22
18.0	12.0	11.8	11.8	11.6	2.24	2.17	2.13	2.10	

Note: The table shows the case where the operation frequency of a compressor is fixed.

MUE-42HRFNX-QRDO+MOD30U-42HFN8-QRDO									
HEATING PERFORMANCE AT INDOOR DRY BULB TEMPERATURE									
INDOOR AIRFLOW (CMH)	OUTDOOR DB(°C)	TC:TOTAL CAPACITY IN KILOWATTS (KW)				PI:TOTAL POWER IN KILOWATTS (KW)			
		Indoor Conditions (DB °C)				Indoor Conditions (DB °C)			
		16.0	20.0	22.0	24.0	16.0	20.0	22.0	24.0
1417	-7.0	10.10	10.01	9.96	9.90	4.57	4.73	4.66	4.70
	-5.6	10.30	10.22	10.16	10.10	4.47	4.53	4.56	4.59
	-2.8	10.51	10.39	10.33	10.25	4.31	4.36	4.38	4.41
	0.0	10.57	10.42	10.36	10.30	4.13	4.18	4.20	4.22
	2.8	10.97	10.86	10.77	10.71	4.00	4.03	4.05	4.07
	5.6	11.78	11.64	11.55	11.49	3.86	3.89	3.90	3.92
	7.0	12.67	12.52	12.29	12.20	3.80	3.75	3.83	3.85
	11.1	13.16	12.98	12.90	12.81	3.58	3.59	3.60	3.61
	13.9	13.59	13.39	13.30	13.22	3.42	3.43	3.43	3.44
	16.7	14.03	13.83	13.71	13.62	3.26	3.26	3.27	3.27
18.0	14.23	14.03	13.91	13.83	3.19	3.19	3.19	3.18	
1930	-7.0	10.29	10.20	10.15	10.09	4.62	4.78	4.71	4.75
	-5.6	10.51	10.42	10.36	10.30	4.52	4.58	4.61	4.64
	-2.8	10.71	10.59	10.54	10.45	4.35	4.40	4.43	4.44
	0.0	10.77	10.62	10.57	10.51	4.17	4.22	4.24	4.26
	2.8	11.20	11.06	11.00	10.91	4.04	4.07	4.09	4.11
	5.6	12.05	11.87	11.78	11.73	3.90	3.92	3.94	3.95
	7.0	12.97	12.78	12.55	12.46	3.83	3.79	3.87	3.88
	11.1	13.45	13.24	13.16	13.07	3.61	3.62	3.63	3.64
	13.9	13.88	13.68	13.59	13.51	3.45	3.46	3.46	3.46
	16.7	14.32	14.12	14.03	13.91	3.29	3.29	3.29	3.29
18.0	14.55	14.32	14.23	14.12	3.22	3.21	3.21	3.21	
2329	-7.0	10.42	10.30	10.25	10.19	4.67	4.83	4.76	4.79
	-5.6	10.62	10.51	10.45	10.39	4.57	4.62	4.65	4.68
	-2.8	10.80	10.68	10.62	10.57	4.40	4.44	4.46	4.49
	0.0	10.86	10.74	10.65	10.59	4.22	4.26	4.28	4.30
	2.8	11.32	11.17	11.09	11.03	4.07	4.11	4.13	4.15
	5.6	12.13	11.99	11.90	11.81	3.93	3.96	3.98	3.99
	7.0	13.05	12.90	12.66	12.58	3.87	3.82	3.91	3.92
	11.1	13.56	13.39	13.27	13.19	3.64	3.66	3.66	3.67
	13.9	14.00	13.83	13.71	13.62	3.48	3.49	3.49	3.49
	16.7	14.46	14.23	14.14	14.03	3.32	3.32	3.32	3.32
18.0	14.67	14.46	14.35	14.23	3.24	3.24	3.24	3.24	

Note: The table shows the case where the operation frequency of a compressor is fixed.

MUE-48HRFNX-QRDO+MOE30U-48HFN8-RRDO									
HEATING PERFORMANCE AT INDOOR DRY BULB TEMPERATURE									
INDOOR AIRFLOW (CMH)	OUTDOOR DB(°C)	TC:TOTAL CAPACITY IN KILOWATTS (KW)				PI:TOTAL POWER IN KILOWATTS (KW)			
		Indoor Conditions (DB °C)				Indoor Conditions (DB °C)			
		16.0	20.0	22.0	24.0	16.0	20.0	22.0	24.0
1417	-7.0	12.5	12.1	12.3	12.3	5.29	5.46	5.45	5.50
	-5.6	12.5	12.4	12.3	12.3	5.23	5.33	5.38	5.43
	-2.8	12.9	12.7	12.7	12.6	5.13	5.23	5.28	5.33
	0.0	13.0	12.9	12.8	12.7	5.03	5.13	5.18	5.23
	2.8	13.7	13.5	13.4	13.3	4.98	5.08	5.12	5.17
	5.6	14.8	14.6	14.5	14.4	4.94	5.03	5.07	5.12
	7.0	15.8	15.8	15.4	15.4	4.92	5.00	5.06	5.10
	11.1	16.7	16.5	16.4	16.3	4.82	4.90	4.94	4.98
	13.9	17.4	17.1	17.0	16.9	4.74	4.82	4.86	4.90
	16.7	18.0	17.7	17.6	17.5	4.67	4.75	4.79	4.83
1930	-7.0	12.8	12.3	12.6	12.5	5.34	5.51	5.50	5.55
	-5.6	12.8	12.7	12.6	12.5	5.28	5.38	5.43	5.49
	-2.8	13.1	13.0	12.9	12.8	5.18	5.28	5.33	5.38
	0.0	13.3	13.1	13.0	13.0	5.08	5.18	5.23	5.28
	2.8	14.0	13.8	13.7	13.6	5.03	5.13	5.18	5.22
	5.6	15.1	14.9	14.8	14.7	4.99	5.08	5.12	5.17
	7.0	16.1	16.1	15.8	15.7	4.97	5.05	5.11	5.15
	11.1	17.1	16.8	16.7	16.6	4.86	4.95	4.99	5.03
	13.9	17.7	17.5	17.3	17.2	4.79	4.87	4.91	4.95
	16.7	18.3	18.1	18.0	17.8	4.72	4.80	4.84	4.87
2329	-7.0	12.9	12.4	12.7	12.6	5.39	5.57	5.56	5.61
	-5.6	12.9	12.8	12.7	12.6	5.33	5.44	5.49	5.54
	-2.8	13.3	13.1	13.0	13.0	5.23	5.33	5.39	5.44
	0.0	13.5	13.3	13.2	13.1	5.13	5.23	5.28	5.33
	2.8	14.1	13.9	13.8	13.7	5.08	5.18	5.23	5.27
	5.6	15.3	15.1	14.9	14.9	5.03	5.13	5.17	5.22
	7.0	16.3	16.3	15.9	15.8	5.02	5.10	5.16	5.20
	11.1	17.2	17.0	16.9	16.8	4.91	5.00	5.04	5.08
	13.9	17.9	17.6	17.5	17.4	4.84	4.92	4.96	5.00
	16.7	18.6	18.3	18.2	18.1	4.76	4.84	4.88	4.92
18.0	18.9	18.6	18.5	18.3	4.73	4.81	4.84	4.88	

Note: The table shows the case where the operation frequency of a compressor is fixed.

MUE-55HRFNX-QRDO+MOE30U-55HFN8-RRDO									
HEATING PERFORMANCE AT INDOOR DRY BULB TEMPERATURE									
INDOOR AIRFLOW (CMH)	OUTDOOR DB(°C)	TC:TOTAL CAPACITY IN KILOWATTS (KW)				PI:TOTAL POWER IN KILOWATTS (KW)			
		Indoor Conditions (DB °C)				Indoor Conditions (DB °C)			
		16.0	20.0	22.0	24.0	16.0	20.0	22.0	24.0
1426	-7.0	14.8	14.3	14.6	14.5	5.75	5.93	5.97	6.04
	-5.6	14.7	14.6	14.5	14.4	5.72	5.87	5.94	6.01
	-2.8	15.0	14.8	14.7	14.7	5.70	5.85	5.92	5.99
	0.0	15.1	14.9	14.8	14.7	5.68	5.83	5.90	5.97
	2.8	15.7	15.5	15.4	15.3	5.72	5.86	5.94	6.01
	5.6	16.8	16.6	16.5	16.4	5.76	5.90	5.97	6.05
	7.0	17.8	17.8	17.5	17.4	5.79	5.98	6.01	6.08
	11.1	18.7	18.5	18.3	18.2	5.80	5.95	6.02	6.09
	13.9	19.3	19.1	18.9	18.8	5.81	5.96	6.03	6.10
	16.7	19.9	19.6	19.5	19.3	5.82	5.96	6.04	6.11
18.0	20.2	19.9	19.8	19.6	5.82	5.97	6.04	6.12	
1834	-7.0	15.1	14.6	14.9	14.8	5.80	5.99	6.02	6.09
	-5.6	15.1	14.9	14.8	14.7	5.78	5.92	6.00	6.07
	-2.8	15.3	15.1	15.0	14.9	5.76	5.90	5.97	6.05
	0.0	15.4	15.2	15.1	15.0	5.73	5.88	5.95	6.03
	2.8	16.0	15.8	15.7	15.6	5.77	5.92	5.99	6.06
	5.6	17.1	16.9	16.8	16.7	5.81	5.96	6.03	6.10
	7.0	18.2	18.2	17.8	17.7	5.84	6.04	6.06	6.14
	11.1	19.1	18.8	18.7	18.6	5.86	6.00	6.08	6.15
	13.9	19.7	19.4	19.3	19.2	5.86	6.01	6.09	6.16
	16.7	20.3	20.0	19.9	19.7	5.87	6.02	6.09	6.17
18.0	20.6	20.3	20.2	20.0	5.88	6.02	6.10	6.17	
2454	-7.0	15.2	14.8	15.0	14.9	5.86	6.04	6.08	6.15
	-5.6	15.2	15.0	15.0	14.9	5.83	5.98	6.05	6.13
	-2.8	15.4	15.3	15.2	15.1	5.81	5.96	6.03	6.11
	0.0	15.5	15.3	15.2	15.1	5.79	5.94	6.01	6.09
	2.8	16.1	15.9	15.8	15.7	5.83	5.98	6.05	6.13
	5.6	17.3	17.1	17.0	16.9	5.87	6.02	6.09	6.17
	7.0	18.3	18.3	18.0	17.9	5.90	6.10	6.13	6.20
	11.1	19.3	19.0	18.9	18.8	5.92	6.07	6.14	6.22
	13.9	19.9	19.6	19.5	19.3	5.93	6.08	6.15	6.23
	16.7	20.5	20.2	20.1	19.9	5.94	6.09	6.16	6.24
18.0	20.8	20.5	20.3	20.2	5.94	6.09	6.17	6.24	

Note: The table shows the case where the operation frequency of a compressor is fixed.

8. Capacity Correction Factor for Height Difference

8.1 Heat pump models

Model	18K		Pipe Length (m)			
Cooling			5	10	20	30
Height difference H (m)	Indoor Upper than Outdoor	20			0.928	0.912
		10		0.969	0.937	0.921
		5	0.995	0.979	0.946	0.930
		0	1.000	0.984	0.951	0.935
	Outdoor Upper than Indoor	-5	1.000	0.984	0.951	0.935
		-10		0.984	0.951	0.935
		-20			0.951	0.935
Heating			5	10	20	30
Height difference H (m)	Indoor Upper than Outdoor	20			0.982	0.976
		10		0.994	0.982	0.976
		5	1.000	0.994	0.982	0.976
		0	1.000	0.994	0.982	0.976
	Outdoor Upper than Indoor	-5	0.992	0.986	0.974	0.968
		-10		0.978	0.966	0.960
		-20			0.959	0.953

Model	24K		Pipe Length (m)						
Cooling			5	10	20	30	40	50	
Height difference H (m)	Indoor Upper than Outdoor	25				0.914	0.894	0.874	
		20			0.944	0.924	0.903	0.883	
		10		0.975	0.954	0.933	0.912	0.891	
		5	0.995	0.984	0.963	0.942	0.921	0.900	
			0	1.000	0.989	0.968	0.947	0.926	0.905
	Outdoor Upper than Indoor	-5	1.000	0.989	0.968	0.947	0.926	0.905	
		-10		0.989	0.968	0.947	0.926	0.905	
		-20			0.968	0.947	0.926	0.905	
-25					0.947	0.926	0.905		
Heating			5	10	20	30	40	50	
Height difference H (m)	Indoor Upper than Outdoor	25				0.983	0.977	0.970	
		20			0.990	0.983	0.977	0.970	
		10		0.997	0.990	0.983	0.977	0.970	
		5	1.000	0.997	0.990	0.983	0.977	0.970	
			0	1.000	0.997	0.990	0.983	0.977	0.970
	Outdoor Upper than Indoor	-5	0.992	0.989	0.982	0.975	0.969	0.962	
		-10		0.981	0.974	0.968	0.961	0.955	
		-20			0.966	0.960	0.953	0.947	
-25					0.952	0.946	0.939		

Capacity (Btu/h)	30K		Pipe Length (m)					
Cooling			5	10	20	30	40	50
Height difference H (m)	Indoor Upper than Outdoor	25				0.887	0.856	0.824
		20			0.928	0.896	0.864	0.833
		10		0.969	0.937	0.905	0.873	0.841
		5	0.995	0.979	0.947	0.914	0.882	0.850
	Outdoor Upper than Indoor	0	1.000	0.984	0.951	0.919	0.886	0.854
		-5	1.000	0.984	0.951	0.919	0.886	0.854
		-10		0.984	0.951	0.919	0.886	0.854
		-20			0.951	0.919	0.886	0.854
		-25				0.919	0.886	0.854
Heating			5	10	20	30	40	50
Height difference H (m)	Indoor Upper than Outdoor	25				0.958	0.942	0.925
		20			0.975	0.958	0.942	0.925
		10		0.992	0.975	0.958	0.942	0.925
		5	1.000	0.992	0.975	0.958	0.942	0.925
	Outdoor Upper than Indoor	0	1.000	0.992	0.975	0.958	0.942	0.925
		-5	0.992	0.984	0.967	0.951	0.934	0.918
		-10		0.976	0.959	0.943	0.927	0.910
		-20			0.952	0.936	0.919	0.903
		-25				0.928	0.912	0.896

Model	36K		Pipe Length (m)					
Cooling			5	15	25	35	50	65
Height difference H (m)	Indoor Upper than Outdoor	30				0.885	0.845	0.805
		20			0.921	0.894	0.854	0.813
		10		0.958	0.931	0.903	0.862	0.822
		5	0.995	0.967	0.940	0.912	0.871	0.830
		0	1.000	0.972	0.945	0.917	0.876	0.834
	Outdoor Upper than Indoor	-5	1.000	0.972	0.945	0.917	0.876	0.834
		-10		0.972	0.945	0.917	0.876	0.834
		-20			0.945	0.917	0.876	0.834
-30					0.917	0.876	0.834	
Heating			5	15	25	35	50	65
Height difference H (m)	Indoor Upper than Outdoor	30				0.962	0.943	0.924
		20			0.975	0.962	0.943	0.924
		10		0.987	0.975	0.962	0.943	0.924
		5	1.000	0.987	0.975	0.962	0.943	0.924
		0	1.000	0.987	0.975	0.962	0.943	0.924
	Outdoor Upper than Indoor	-5	0.992	0.979	0.967	0.954	0.935	0.917
		-10		0.972	0.959	0.947	0.928	0.909
		-20			0.951	0.939	0.921	0.902
-30					0.932	0.913	0.895	

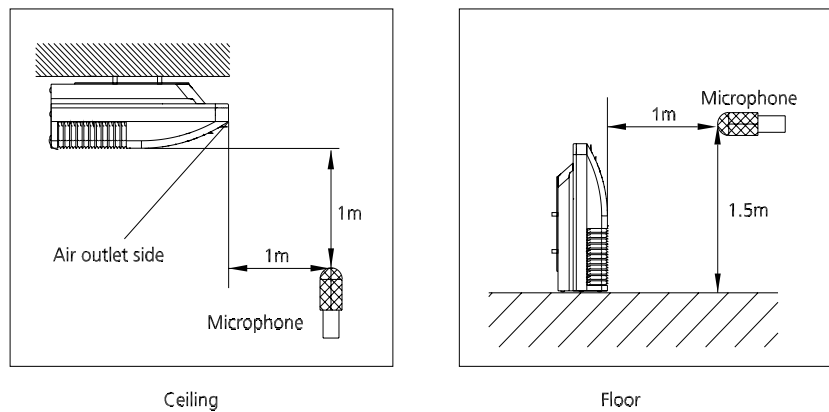
Capacity (Btu/h)	42K		Pipe Length (m)					
Cooling			5	15	25	35	50	65
Height difference H (m)	Indoor Upper than Outdoor	30				0.881	0.839	0.797
		20			0.919	0.890	0.848	0.806
		10		0.956	0.928	0.899	0.857	0.814
		5	0.995	0.966	0.937	0.908	0.865	0.822
		0	1.000	0.971	0.942	0.913	0.870	0.826
	Outdoor Upper than Indoor	-5	1.000	0.971	0.942	0.913	0.870	0.826
		-10		0.971	0.942	0.913	0.870	0.826
		-20			0.942	0.913	0.870	0.826
-30					0.913	0.870	0.826	
Heating			5	15	25	35	50	65
Height difference H (m)	Indoor Upper than Outdoor	30				0.960	0.940	0.920
		20			0.973	0.960	0.940	0.920
		10		0.987	0.973	0.960	0.940	0.920
		5	1.000	0.987	0.973	0.960	0.940	0.920
		0	1.000	0.987	0.973	0.960	0.940	0.920
	Outdoor Upper than Indoor	-5	0.992	0.979	0.966	0.952	0.932	0.913
		-10		0.971	0.958	0.945	0.925	0.905
		-20			0.950	0.937	0.918	0.898
-30					0.930	0.910	0.891	

Model	48K		Pipe Length (m)					
Cooling			5	15	25	35	50	65
Height difference H (m)	Indoor Upper than Outdoor	30				0.880	0.838	0.796
		20			0.918	0.889	0.846	0.804
		10		0.956	0.927	0.898	0.855	0.812
		5	0.995	0.966	0.937	0.907	0.864	0.820
		0	1.000	0.971	0.941	0.912	0.868	0.824
	Outdoor Upper than Indoor	-5	1.000	0.971	0.941	0.912	0.868	0.824
		-10		0.971	0.941	0.912	0.868	0.824
		-20			0.941	0.912	0.868	0.824
-30					0.912	0.868	0.824	
Heating			5	15	25	35	50	65
Height difference H (m)	Indoor Upper than Outdoor	30				0.956	0.933	0.911
		20			0.970	0.956	0.933	0.911
		10		0.985	0.970	0.956	0.933	0.911
		5	1.000	0.985	0.970	0.956	0.933	0.911
		0	1.000	0.985	0.970	0.956	0.933	0.911
	Outdoor Upper than Indoor	-5	0.992	0.977	0.963	0.948	0.926	0.904
		-10		0.969	0.955	0.940	0.918	0.896
		-20			0.947	0.933	0.911	0.889
-30					0.925	0.904	0.882	

Model	55K		Pipe Length (m)					
Cooling			5	15	25	35	50	65
Height difference H (m)	Indoor Upper than Outdoor	30				0.866	0.816	0.767
		20			0.908	0.875	0.825	0.774
		10		0.951	0.917	0.884	0.833	0.782
		5	0.995	0.961	0.927	0.893	0.841	0.790
		0	1.000	0.966	0.931	0.897	0.846	0.794
	Outdoor Upper than Indoor	-5	1.000	0.966	0.931	0.897	0.846	0.794
		-10		0.966	0.931	0.897	0.846	0.794
		-20			0.931	0.897	0.846	0.794
-30					0.897	0.846	0.794	
Heating			5	15	25	35	50	65
Height difference H (m)	Indoor Upper than Outdoor	30				0.953	0.929	0.905
		20			0.968	0.953	0.929	0.905
		10		0.984	0.968	0.953	0.929	0.905
		5	1.000	0.984	0.968	0.953	0.929	0.905
		0	1.000	0.984	0.968	0.953	0.929	0.905
	Outdoor Upper than Indoor	-5	0.992	0.976	0.961	0.945	0.921	0.898
		-10		0.968	0.953	0.937	0.914	0.891
		-20			0.945	0.930	0.907	0.883
-30					0.922	0.899	0.876	

9. Noise Criterion Curves

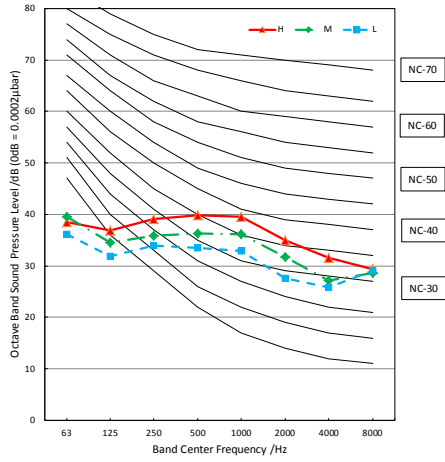
9.1 Indoor Unit



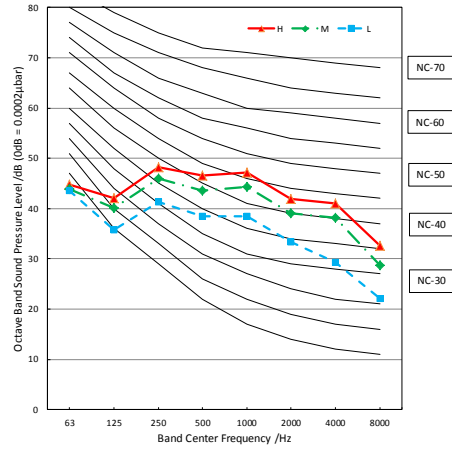
Notes:

- Sound measured at 1.5m away from the center of the unit.
- Data is valid at free field condition
- Data is valid at nominal operation condition
- Reference acoustic pressure $OdB = 20\mu Pa$
- Sound level will vary depending on a range of factors such as the construction -(acoustic absorption coefficient) of particular room in which the equipment is installed.
- The operating conditions are assumed to be standard.

MUE-18HRFNX-QRD0

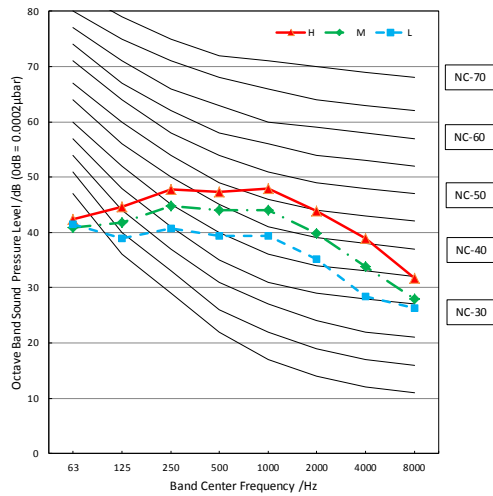


MUE-24HRFNX-QRD0

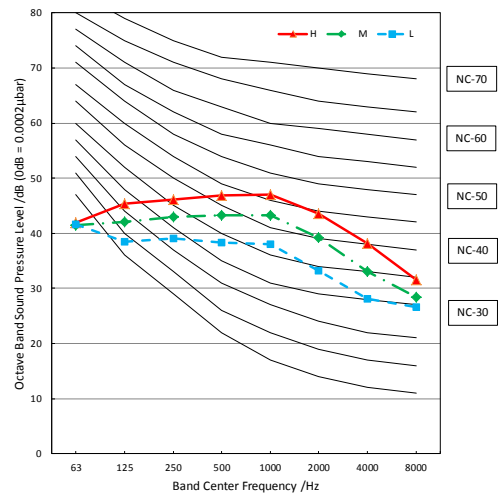


MUE-30HRFNX-QRD0

MUE-36HRFNX-QRD0(with MOD30U-36HFN8-QRD0)

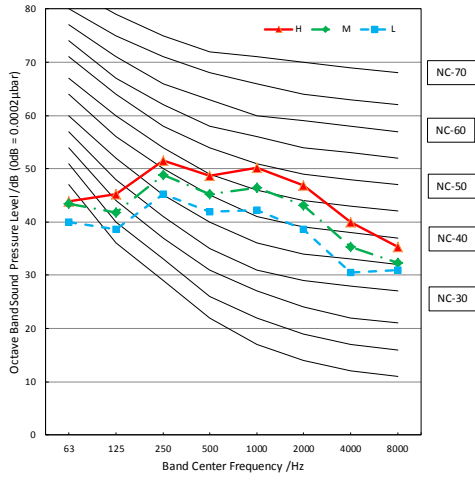


MUE-36HRFNX-QRD0(with MOD30U-36HFN8-RRD0)

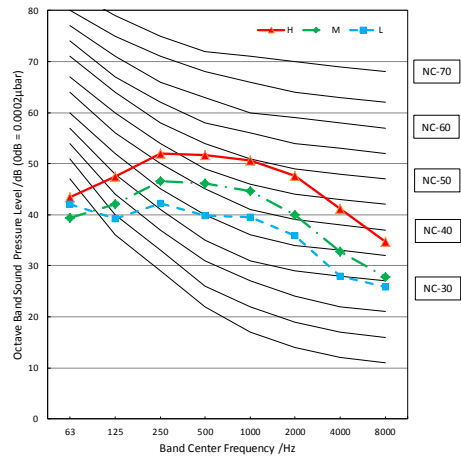


MUE-42HRFNX-QRDO

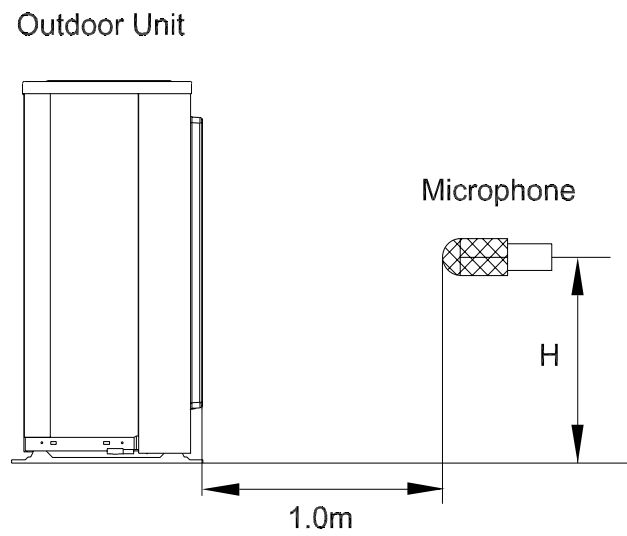
MUE-48HRFNX-QRDO



MUE-55HRFNX-QRDO



9.2 Outdoor Unit

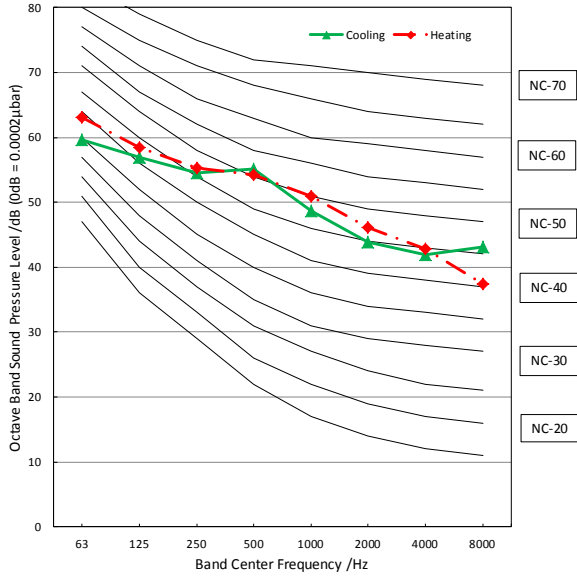


Note: $H = 0.5 \times$ height of outdoor unit

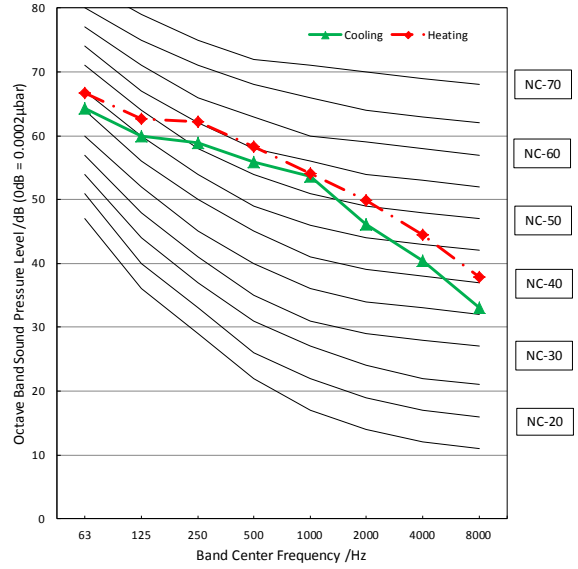
Notes:

- Sound measured at 1.0m away from the center of the unit.
- Data is valid at free field condition
- Data is valid at nominal operation condition
- Reference acoustic pressure $OdB=20\mu Pa$
- Sound level will vary depending on arrangement of factors such as the construction (acoustic absorption coefficient) of particular room in which the equipment is installed.
- The operating conditions are assumed to be standard.

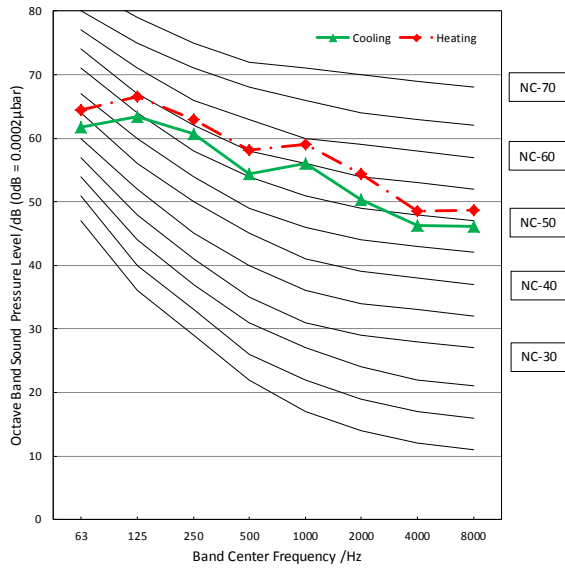
MOB30U-18HFN8-QRDO



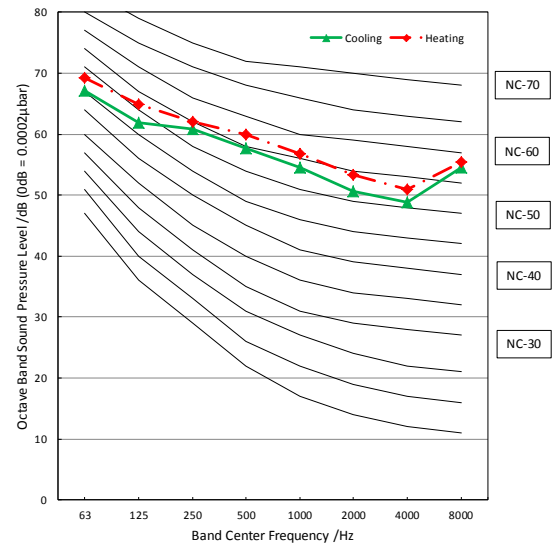
MOCA30U-24HFN8-QRDO



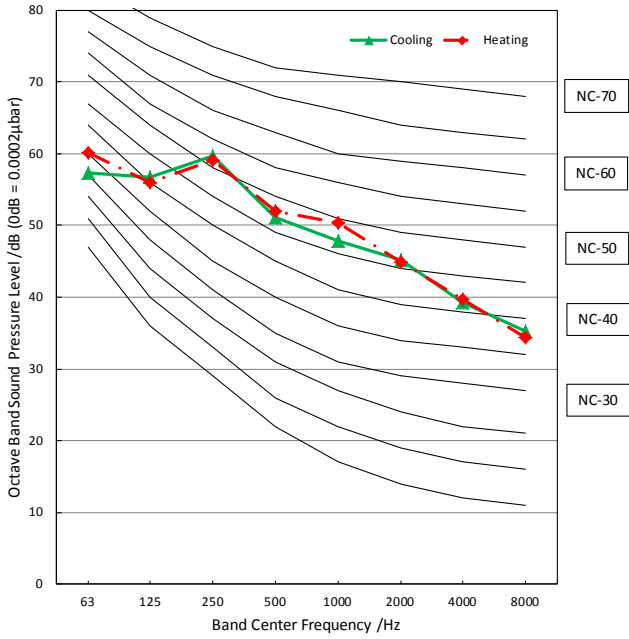
MOD30U-36HFN8-QRDO



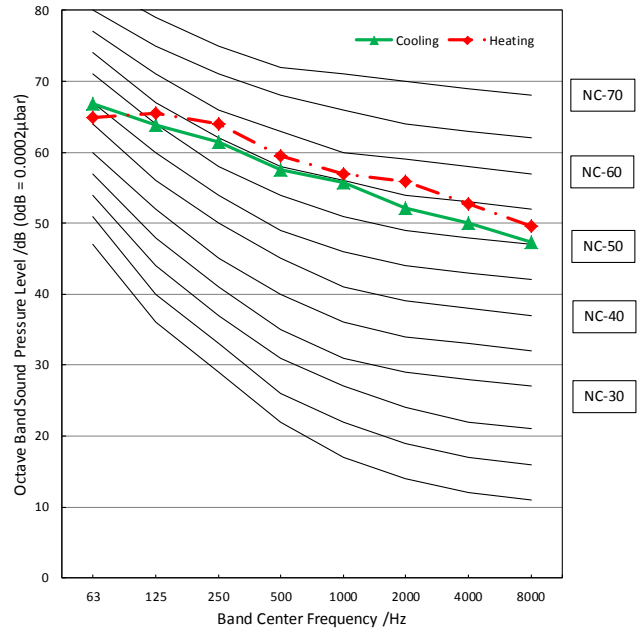
MOD30U-36HFN8-RRDO



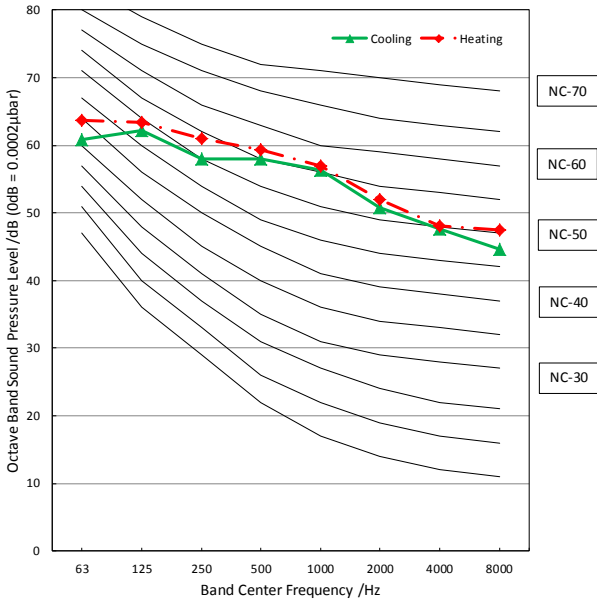
MOD30U-30HFN8-QRDO



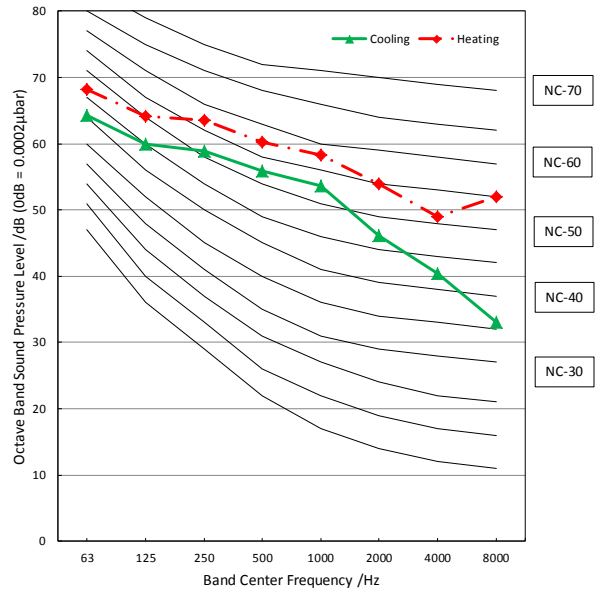
MOD30U-42HFN8-QRDO



MOE30U-48HFN8-RRDO



MOE30U-55HFN8-RRDO



10. Electrical Characteristics

Type		18000 Btu/h	24000 Btu/h	36000 Btu/h
Phase		1-phase	1-phase	1-phase
Frequency and Voltage		220-240V, 50Hz	220-240V, 50Hz	220-240V, 50Hz
Circuit Breaker/ Fuse (A)		25/20	25/20	40/30
Indoor Unit Power Wiring (mm ²)		/		
Outdoor Unit Power Wiring (mm ²)		3×2.5(3×4.0 with auxiliary electric heater)	3×2.5(3×4.0 with auxiliary electric heater)	3×4.0(3×6.0 with auxiliary electric heater)
Indoor/Outdoor Connecting Wiring (mm ²)	Ground Wiring	2.5	2.5	4.0
	Strong Electric Signal	3×1.0(3×2.5 with auxiliary electric heater)	3×1.0(3×2.5 with auxiliary electric heater)	3×1.0(3×2.5 with auxiliary electric heater)
	Weak Electric Signal	2×0.2	2×0.2	2×0.2

Type		36000 Btu/h	48000 Btu/h	55000 Btu/h
Phase		3-phase	3-phase	3-phase
Frequency and Voltage		380-450V, 50Hz	380-450V, 50Hz	380-450V, 50Hz
Circuit Breaker/ Fuse (A)		25/20	32/25	32/25
Indoor Unit Power Wiring (mm ²)		/		
Outdoor Unit Power Wiring (mm ²)		5×2.5(5×4.0 with auxiliary electric heater)	5×2.5(5×4.0 with auxiliary electric heater)	5×2.5(5×4.0 with auxiliary electric heater)
Indoor/Outdoor Connecting Wiring (mm ²)	Ground Wiring	2.5	2.5	2.5
	Strong Electric Signal	3×1.0(3×2.5 with auxiliary electric heater)	3×1.0(3×2.5 with auxiliary electric heater)	3×1.0(3×2.5 with auxiliary electric heater)
	Weak Electric Signal	2×0.2	2×0.2	2×0.2

Product Features

Contents

1.	Operation Modes and Functions	75
1.1	Abbreviations	75
1.2	Safety Features	75
1.3	Display Function	75
1.4	Fan.....	75
1.5	Cooling Mode	75
1.6	Heating Mode (Heat pump models).....	76
1.7	Auto Mode.....	76
1.8	Drying Mode	76
1.9	Timer Function	76
1.10	Sleep Function.....	76
1.11	Auto-Restart.....	77
1.12	Follow Me	77
1.13	Drain Pump Control.....	77
2.	Remote Controller Functions	77
2.1	Infrared Wireless Remote Controller.....	77
2.2	LCD Wired Remote Controller	80
2.3	Centralized Controller	92

1. Operation Modes and Functions

1.1 Abbreviation

Unit element abbreviations

Abbreviation	Element
T1	Indoor room temperature
T2	Coil temperature of evaporator
T3	Coil temperature of condenser
T4	Outdoor ambient temperature
T5	Compressor discharge temperature

1.2 Safety Features

Compressor three-minute delay at restart

Compressor functions are delayed for up to one minute upon the first startup of the unit, and are delayed for up to three minutes upon subsequent unit restarts.

Low Pressure Check Function(For 36K~55K)

The low pressure switch should be always closed. If it is open, the system will stop until the fault is cleared. During defrosting procedure , 4 minutes after defrosting ends and 5 minutes after compressor is on in heating mode, low pressure switch won't be checked.

Note: The system will not check if the protection could be cleared in 30 seconds after the protection occurs. If this protection occurs 3 times, it won't recover automatically until the main power is cut off.

Over-current protection

When compressor is running, if the current is over twice of the rated for 3 seconds, the compressor will stop and an error code will be displayed on the outdoor PCB. If the current becomes normal, the indoor sends signal to the outdoor, the outdoor will display normally.

Open Circuit/Disconnection Sensor Protection

Fan Speed Malfunction

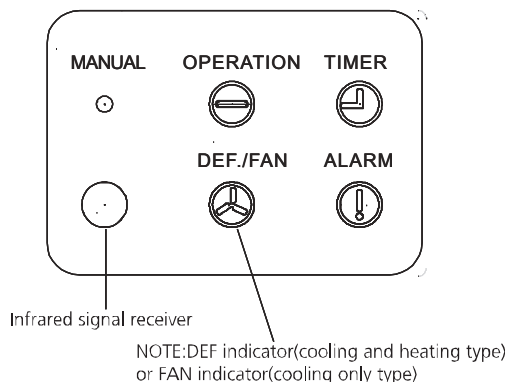
If a fault occurs on the air volume regulator or the regulator enters protection mode, it sends the error message CF and an instruction to reduce fan speed to the master. The message and the instruction can be inquired with the remote controller or the wired controller. (Fault and protection information are displayed for one minute). After a fault occurs, the master unit shows the error code E3 and the fault count for one minute.

If the fault occurs three times, then the fan is unable to resolve the problem independently. External shutdown by a remote controller, wired controller, or central controller

must be used to clear the fan fault and fault count. The fan runs normally for 5 minutes while clearing fault count.

1.3 Display Function

Unit display functions



1.4 Fan

When fan mode is activated:

- The outdoor fan and compressor are stopped.
- Temperature control is disabled and no temperature setting is displayed.
- The indoor fan speed can be set to high, medium, low, or auto.
- The louver operations are identical to those in cooling mode.

1.5 Cooling Mode

1.5.1 Compressor Control

- When T1-Ts-ΔT is lower than setting value, the compressor ceases operation.
- When T1-Ts-ΔT is higher than setting value, the compressor continues operation.

1.5.2 Indoor Fan Control

- In cooling mode, the indoor fan operates continuously. The fan speed can be set to high, medium, low or auto.
- The auto fan acts according to the value of T1-TS.

1.5.3 Outdoor Fan Control

- The outdoor fan is controlled by T4 and compressor frequency.

1.5.4 Evaporator Temperature Protection

When evaporator temperature drops below a configured value for some time, the compressor ceases operation, the outdoor fan motor ceases operation 30 seconds later.

1.5.5 Condenser Temperature Protection

When condenser temperature is more than setting value, the compressor ceases operations.

1.6 Heating Mode(Heat pump models)

1.6.1 Indoor Fan Control:

- When the compressor is on, the fan speed can be set to high, medium, low, or auto. And the anti-cold wind function has the priority.
- The auto fan acts according to the value of T1-Ts.

1.6.2 Outdoor Fan Control:

- The outdoor fan is controlled by T4 and compressor frequency.

1.6.3 Defrosting mode

- The unit enters defrosting mode according to the value of temperature of T3 and the value range of temperature change of T3 and also the compressor running time.
- If any one of the following items is satisfied, the defrosting will finish and the machine will turn to normal heating mode.
 - T3 rises to be higher than TCDE1°C.
 - T3 keeps to be higher than TCDE2°C for 80 seconds.
 - The machine has run for 10 minutes (36~55k) in defrosting mode.

1.6.4 Evaporator Temperature Protection

When the evaporator temperature exceeds a preset protection value, the compressor and outdoor fan cease operations, the outdoor fan motor ceases operation 30 seconds later.

1.7 Auto Mode

- This mode can be selected with the remote controller and the temperature setting can be adjusted between 17°C~30°C
- In auto mode, the machine selects cooling, heating, or fan-only mode on the basis of ΔT ($\Delta T = T1 - T_s$).

ΔT	Running mode
$\Delta T > 2^\circ\text{C}$	Cooling
$-2^\circ\text{C} \leq \Delta T \leq 2^\circ\text{C}$	Fan-only
$\Delta T < -2^\circ\text{C}$	Heating*

Heating*: In auto mode, cooling only models run the fan.

- Indoor fans run at the auto fan speed of the relevant mode.

- The louver operates the same as in relevant mode.
- If the machine switches mode between heating and cooling, the compressor pauses for a certain period of time intermittently and then selects a mode based on T1-Ts.
- If the setting temperature is modified, the machine selects a new running function.

1.8 Drying Mode

- Indoor fan speed is fixed at low and cannot be changed.
- All protections are activated and operate the same as they do in cooling mode.
- The louver operates the same as in cooling mode.

1.9 Timer Function

- The timing range is 24 hours.
- Timer On. The machine turns on automatically at the preset time.
- Timer Off. The machine turns off automatically at the preset time.
- Timer On/Off. The machine turns on automatically at the preset On Time, and then turns off automatically at the preset Off Time.
- Timer Off/On. The machine turns on automatically at the preset Off Time and then turns off automatically at the preset On Time.
- The timer does not change the unit operation mode. If the unit is off now, it does not start up immediately after the "timer off" function is set. When the setting time is reached, the timer LED switches ioff and the unit running mode remains unchanged.
- The timer uses relative time, not clock time

1.10 Sleep Function

- The sleep function is available in cooling, heating, or auto mode.
- The operational process for sleep mode is as follows:
 - When cooling, the temperature rises 1°C (to not higher than 30°C) every hour. After 2 hours, the temperature stops rising and the indoor fan is fixed to auto speed.
 - When heating, the temperature decreases 1°C (to not lower than 17°C) every hour. After 2 hours, the temperature stops decreasing and the indoor fan is fixed at auto speed. Anti-cold wind function takes priority.
- The operating time for sleep mode is 7 hours, after

which, the unit exits this mode and switches off.

- The timer setting is available in this mode.

1.11 Auto-Restart

- The indoor unit has an auto-restart module that allows the unit to restart automatically. The module automatically stores the current settings (not including sleep mode) and, in the case of a sudden power failure, will restore those setting automatically within 3 minutes after power returns.
- If the unit was in forced cooling mode, it will run in this mode for 30 minutes and turn to auto mode with temperature set to 24 °C .
- If there is a power failure while the unit is running, the compressor starts 3 minutes after the unit restarts. If the unit was already off before the power failure, the compressor starts 1 minute after the unit restarts.

1.12 Follow Me (Optional)

- If you press “Follow Me” on the remote, the indoor unit will beep. This indicates the follow me function is active.
- Once active, the remote control will send a signal every 3 minutes, with no beeps. The unit automatically sets the temperature according to the measurements from the remote control.
- The unit will only change modes if the information from the remote control makes it necessary, not from the unit’s temperature setting.

1.13 Drain Pump Control (Optional)

- Use the water-level switch to control drain pump.
- The system checks the water level every 5 seconds.
 - When the A/C operates in cooling (including auto cooling) or forced cooling mode, the pump begins running immediately and continuously until cooling stops.
 - If the water level increases up to the control point, the LED displays an alarm code and the drain pump opens and continually monitors the water level. If the water level falls and LED alarm code is no longer displayed (drain pump close delay is 1 minute), the unit goes back into its last mode. Otherwise, the entire system (including the pump) stops and the LED displays an alarm again after 3 minutes.

2. Remote Controller Functions

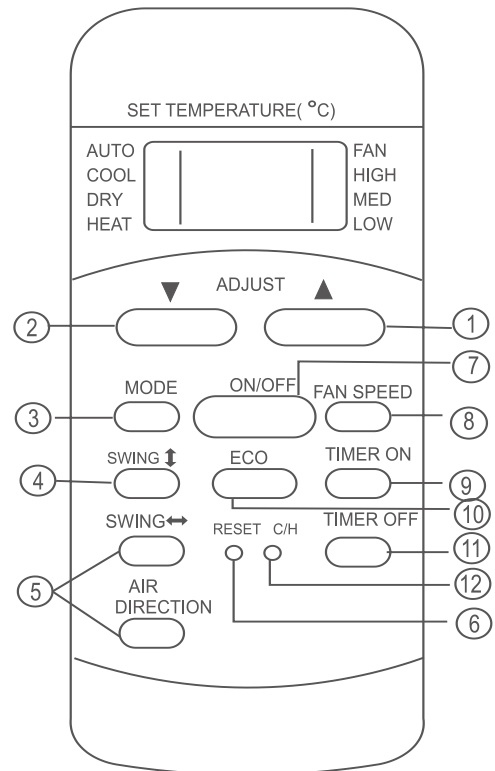
2.1 Infrared Wireless Remote Controller

2.1.1 RG51Q1/BGE(Standard)

Remote Controller Specifications

Model	RG51Q1/BGE
Rated Voltage	3.0V (Dry batteries R03/LR03×2)
Reaching Distance	8m (when using 3.0 voltage, it Gets 11m)
Environment Temperature Range	-5 °C ~60 °C (23 °F ~140 °F)

Buttons and Functions



1. TEMP UP ▲ : Push this button to increase the indoor temperature setting in 1 °C increments to 30 °C
2. TEMP DOWN ▼ : Push this button to decrease the indoor temperature setting in 1 °C increments to 17 °C .
3. MODE: Once pressing, running mode will be selected in the following sequence:



NOTE: No heating mode for cool only type unit.

4. VERT SWING: Used to stop or start horizontal louver movement. The louver will swing up and down automatically if push this button.

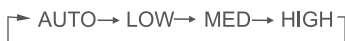
5. HORIZ SWING: Used to stop or start vertical louver movement.

AIR DIRECTION: Used to set the desired up/down air flow direction. The louver changes 6 degree in angle for each press.

6. RESET (inner located): Once the recessed RESET button is pressed, all of the current settings will be cancelled and the controller will return to the initial settings..

7. ON/OFF: For turning on or turning off the air conditioner.

8. FAN SPEED: Fan speed will be selected in following sequence once pressing this button:



9. TIME ON: For time ON setting. Press this button to activate the Auto-on time setting. Each press will increase the time setting in 30 minutes increments, up to 10 hours, then at 1 hour increments up to 24 hours. To cancel the Auto-on time setting, just press the button until the time setting is 0.0.

10. ECO: Select this function during the sleeping time. It can maintain the most comfortable temperature and save energy. This function is available on COOL, HEAT or AUTO mode only .

NOTE: While the unit is running under Energy-saving mode, it would be cancelled if press MODE, FAN SPEED or ON/OFF button.

11. TIME OFF: For time OFF setting. Press this button to activate the Auto-off time setting. Each press will increase the time setting in 30 minutes increments, up to 10 hours, then at 1 hour increments up to 24 hours. To cancel the Auto-off time setting, just press the button until the time setting is 0.0.

12. C/H (inner located): Press this recessed button to shift the mode between Cooling only and Cooling & Heating

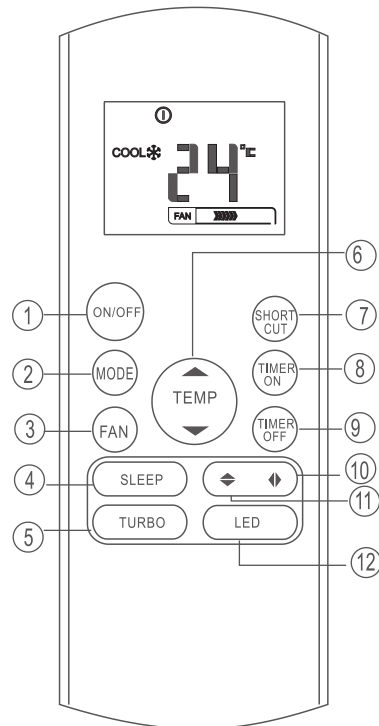
according to the feature of the machine. The factory default setting mode is Cooling & Heating. For example, the unit you purchased is Cooling only models, please press this recessed button with a needle of 1mm to shift the operation mode.

2.1.2 RG57B2/BGE(Optional)

Remote Controller Specifications

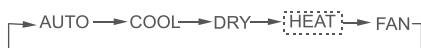
Model	RG57B2/BGE
Rated Voltage	3.0V (Dry batteries R03/LR03×2)
Lowest Voltage of CPU Emitting Signal	2.0V
Reaching Distance	8m (when using 3.0 voltage, it can get 11m)
Environment Temperature Range	-5 °C ~60 °C (23 °F ~140 °F)

Buttons and Functions



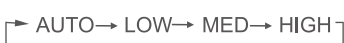
1. ON/OFF: For turning on or turning off the air conditioner.

2. MODE: Once pressing, running mode will be selected in the following sequence:



NOTE: Please do not select HEAT mode if the machine you purchased is cooling only type.

3. FAN SPEED: Fan speed will be selected in following sequence once pressing this button:



4. SLEEP: Select this function during the sleeping time. It keeps the most comfortable temperature and save energy. This function is available on COOL, HEAT or AUTO mode only.

NOTE: While the unit is running in sleep mode, it would be cancelled if MODE, FAN SPEED or ON/OFF button is pressed.

5. TURBO Button:Active/Disable Turbo function. Turbo function enables the unit to reach the preset temperature at cooling or heating operation in the shortest time(if the indoor unit does not support this function, there is no corresponding operation happened when pressing this button.)

6. UP Button(▲): Increase the set temperature. Keeping pressing will increase the temp with 1 °C per 0.5s.

DOWN Button(▼): Decrease the set temperature. Keeping pressing will decrease the temp with 1 °C per 0.5s.

NOTE:Temperature control is not available in Fan mode.

7. SHORTCUT Button

Used to restore the current settings or resume previous settings.

On the first time connecting to the power, if push the SHORTCUT button, the unit will operate on AUTO mode, 26 °C, and fan speed is Auto.

Push this button when remote controller is on, the system will automatically revert back to the previous settings including operating mode, setting temperature, fan speed level and sleep feature (if activated).

If pushing more than 2 seconds, the system will automatically restore the current operation settings including operating mode, setting temperature, fan speed level and sleep feature (if activated).

8. TIME ON: For time ON setting. Once pressing this button, the time will increase by 0.5 hour. When the

time exceeds 10 hours, pressing the button will increase the time by 1 hour. Adjust the figure to 0.00 will cancel time ON setting.

9. TIME OFF: For time OFF setting. Once pressing this button, the time will increase by 0.5 hour. When the set time exceeds 10 hours, pressing the button will increase the time by 1 hour. Adjust the figure to 0.00 will cancel time ON setting.

10. SWING ◀▶ Button

Used to stop or start vertical louver movement and set the desired left/right air flow direction.The vertical louver changes 6 degree in angle

for each press.

Used to stop or start horizontal louver auto swing feature.

11. SWING ◀▶ Button

Used to stop or start horizontal louver movement or set the desired up/down air flow direction. The louver changes 6 degree in angle for each press. If keep pushing more

than 2 seconds, the louver will swing up and down automatically.

12. LED

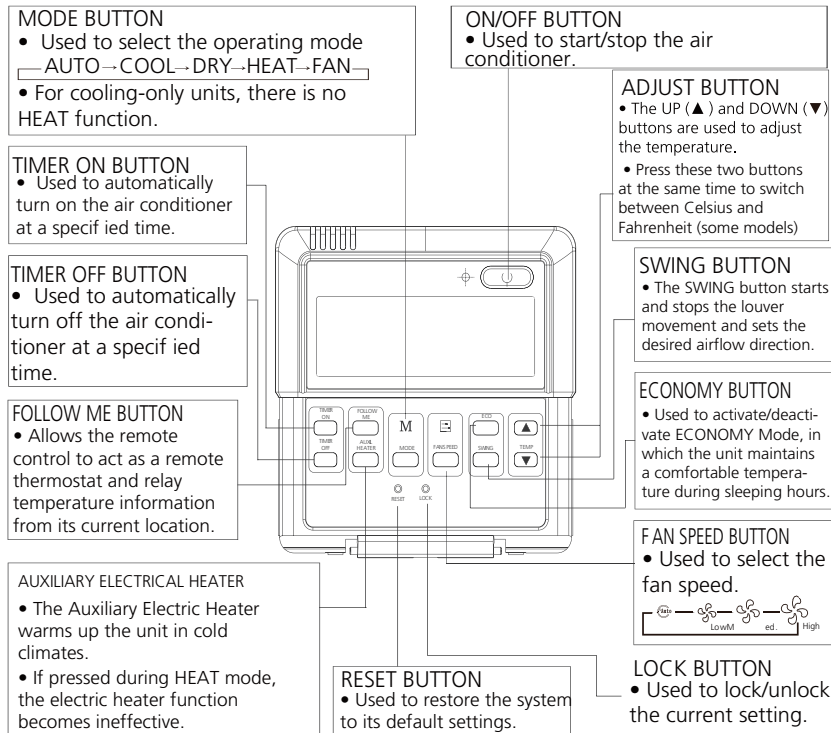
Disable/Active indoor screen Display. When pushing the button, the indoor screen display is cleared, press it again to light the display.

2.2 LCD Wired Remote Controller

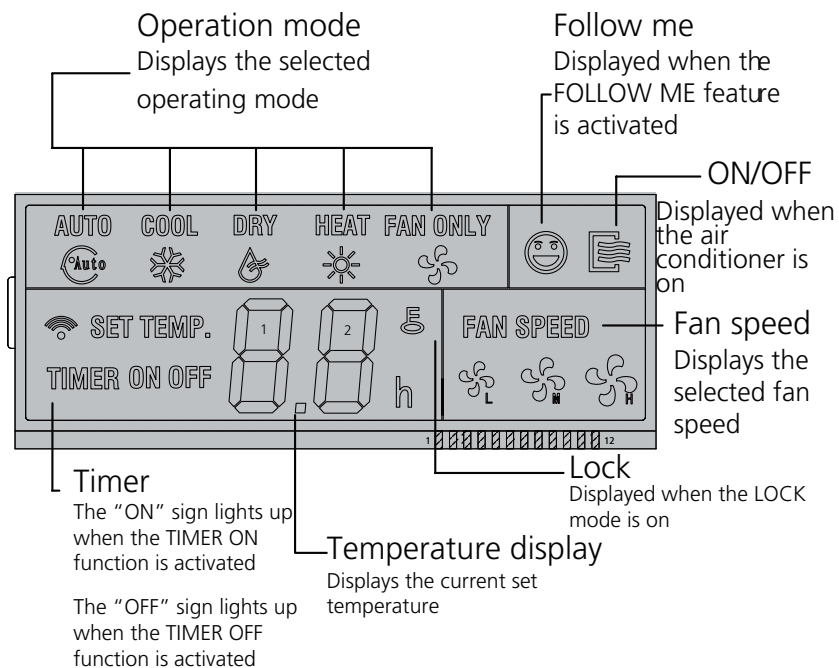
2.2.1 LCD Wired Remote Controller KJR-12B/DP(T) (Standard)

The KJR-12B/DP(T) wired remote controller is standard for Duct type.

i) Buttons and Functions

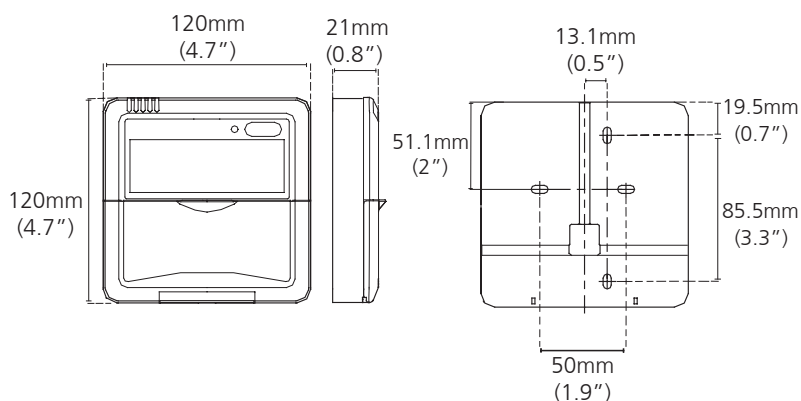


ii) LCD Screen



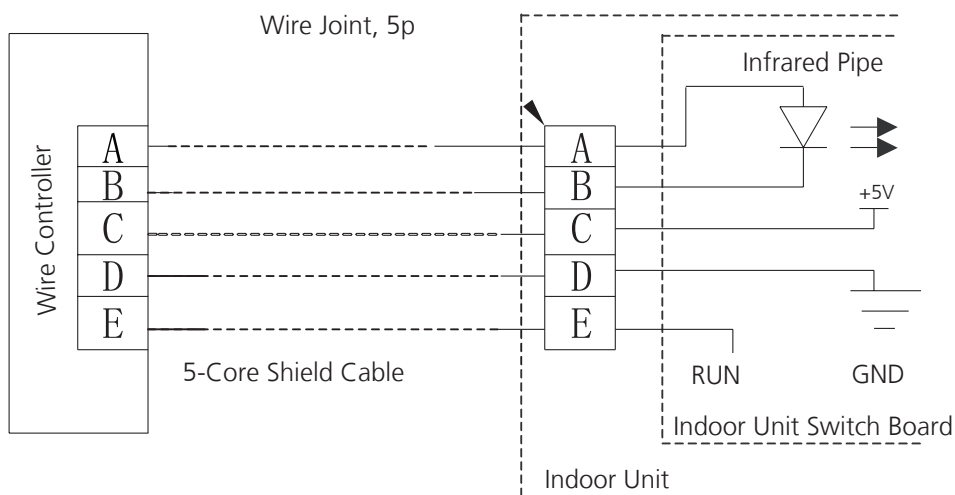
iii) Installation

- Dimensions



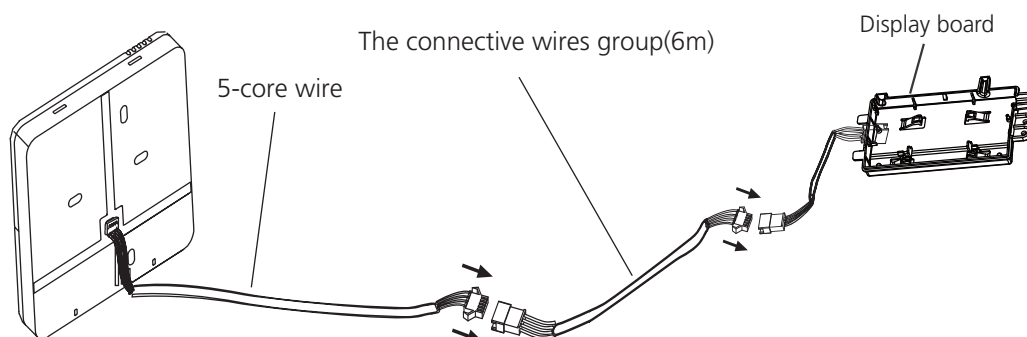
• **Wiring diagram**

Refer to the following diagram to wire the wall-mounted remote control to the indoor unit.

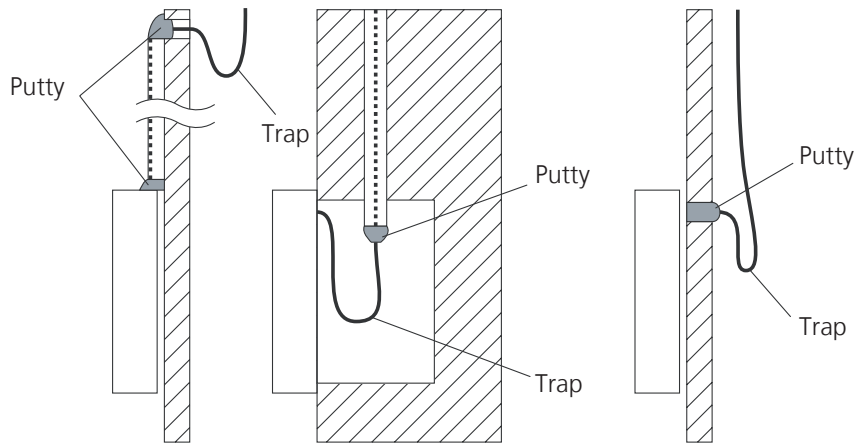


• **Installation Diagram**

Connect the wire from the display panel of the indoor unit to a connecting cable. Then connect the other side of the connecting cable to the remote control.

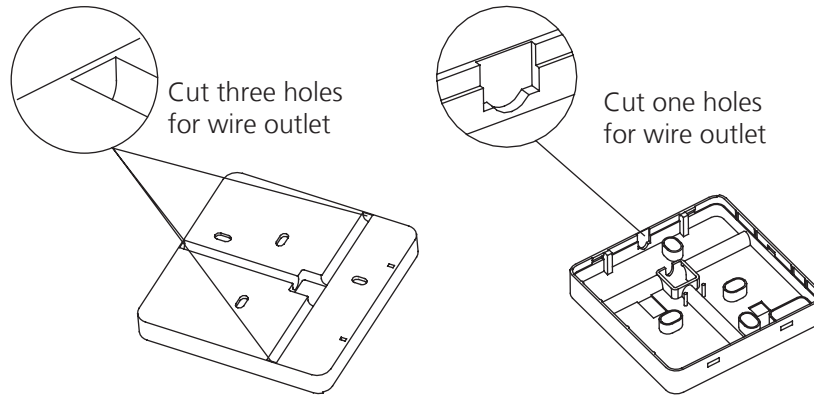


Note: Be sure to reserve a length of the connecting wire for periodic maintenance.



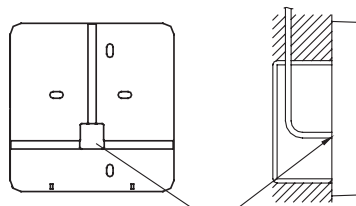
Note: DO NOT allow water to enter the remote control. Use the trap and putty to seal the wires.

- For exposed mounting, cut holes on four of the sides according to the picture below.



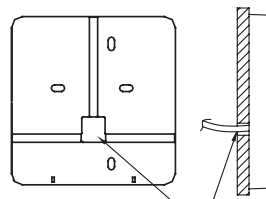
- For shielded wiring, please refer to the picture below.

Embedded switch box wiring



Wiring hole

Wiring through the wall

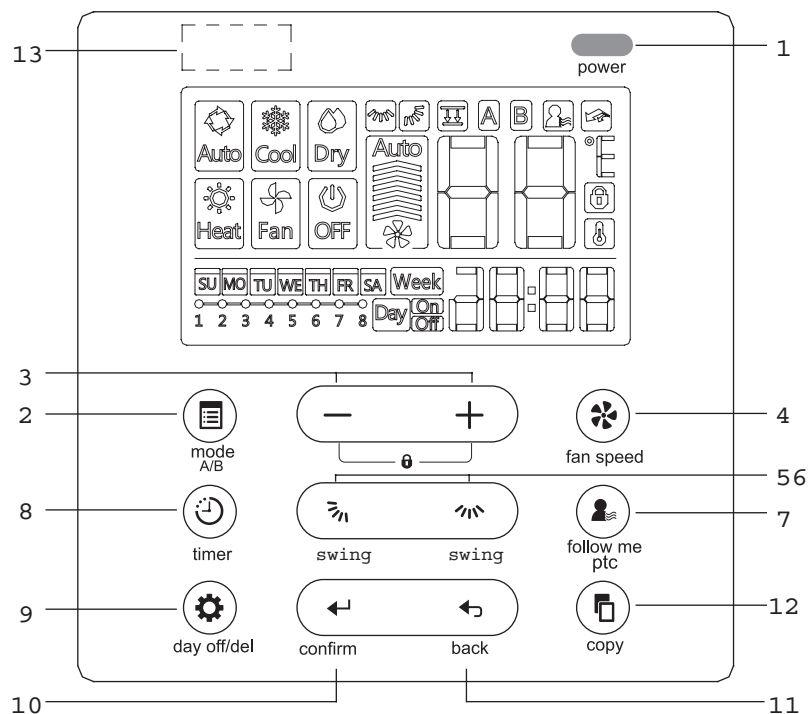


Wall hole and wiring hole
Diameter of wall hole: Φ 2cm

2.2.2 LCD Wired Remote Controller KJR-120C/TF-E(Optional)

The KJR-120C/TF-E wired remote controller is optional for all types.

i) Buttons and Functions



1. POWER button

Turn on or turn off the unit.

2. MODE(A/B) button

Used to select the operation mode: Auto / Cooling / Drying / Heating / Fan;

Hold to activate the operation of auto-lifting panel when off

3. Adjust button

To set temperature, time and timer; set up or down the auto-lifting panel

4. FAN SPEED button

Used to select the fan speed.

5. Up-down airflow direction and swing Button

Press for adjusting the angel of louver, hold for vertical swing; individual louver control for cassette panel

6. Left-right airflow swing Button

Press for activating the horizontal swing

7. FOLLOW ME(PTC) button

Allows the remote control to act as a remote thermostat and send temperature information from its current location.

8. TIMER button

To set timer on and timer off time of one day

9. DELAY/DAY OFF button

To set 1 to 2 hours delay off for each day or a whole day off in a weekly timer schedule

10. CONFIRM button

To confirm an setting or call up the menu

11. BACK button

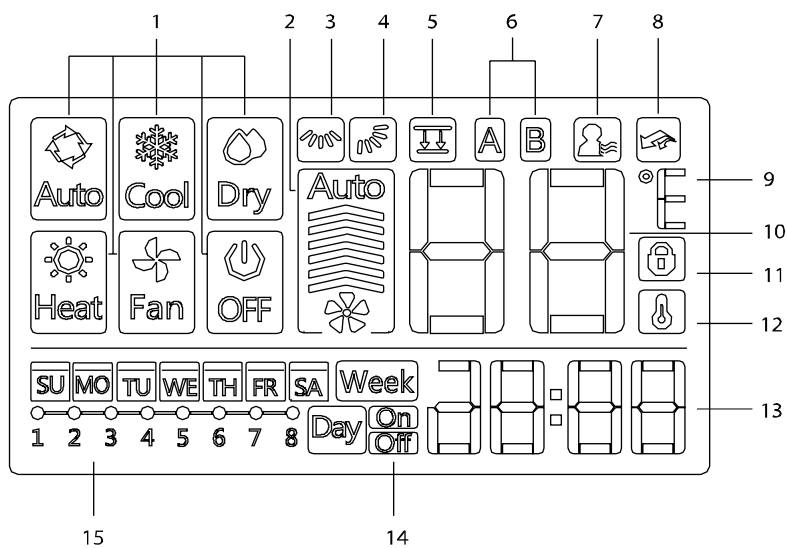
Back to previous operation or superior menu

12. COPY button

Copy timer setting of one day to another in weekly schedule setting

13 Infrared remote receiver (on some models)

ii) LCD Screen



1 Operation mode indication

2 Fan speed indication

3 Left-right swing indication

4 Up-down swing indication

5 Faceplate function indication

6 Main unit and secondary unit indication

7 Follow me function indication

8 PTC function indication

9 C° / F° indication

10 Temperature display

11 Lock indication

12 Room temperature indication

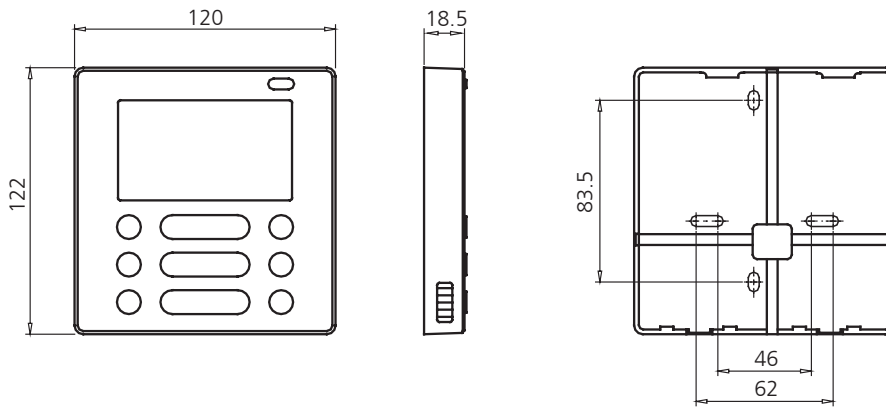
13 Clock display

14 On/Off timer

15 Timer display

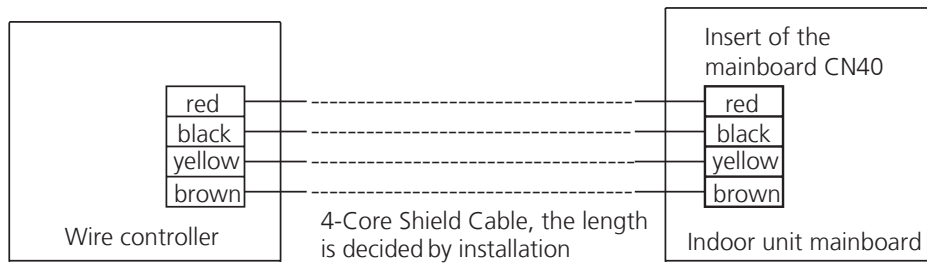
iii) Installation

- Dimensions



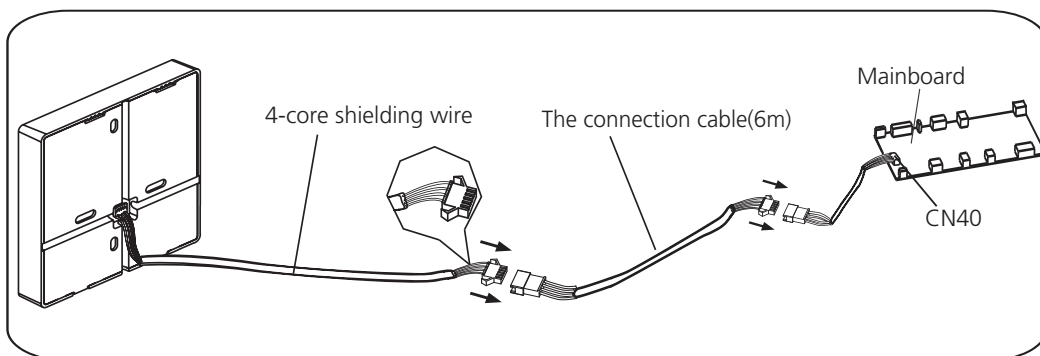
- Wiring diagram

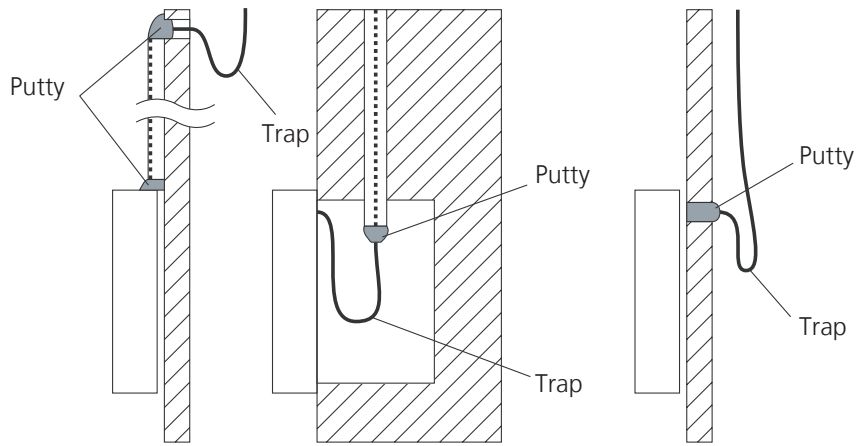
Refer to the following diagram to wire the wall-mounted remote control to the indoor unit.



- Installation Diagram

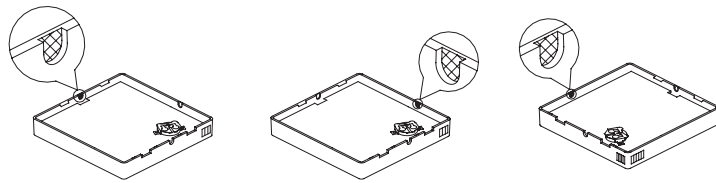
Connect the female joint of wires group from the mainboard with the male joint of connective wires group. Then connect the other side of connective wires group with the male joint of wires group leads from wire controller.





Note: DO NOT allow water to enter the remote control. Use the trap and putty to seal the wires.

- For exposed mounting, four outletting positions. There are three need cutting.

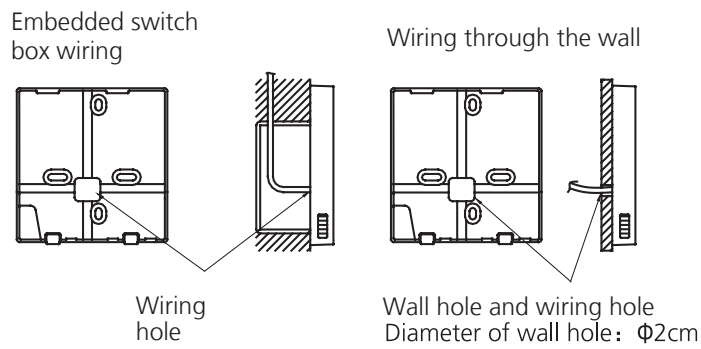


Cutting place of top side wire outlet

Cutting place of left side wire outlet

Cutting place of right side wire outlet

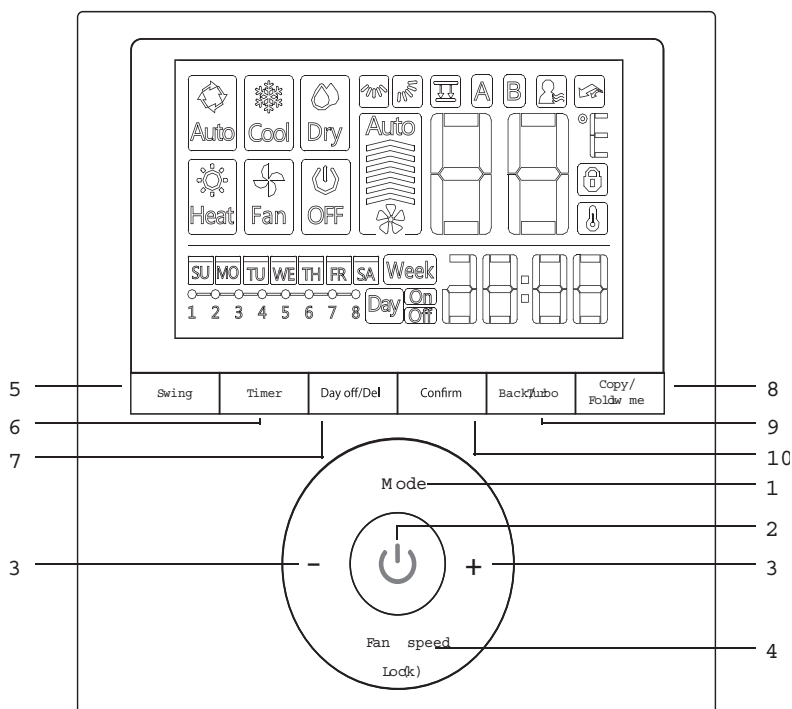
- For shielded wiring, please refer to the picture below.



2.2.3 LCD Wired Remote Controller KJR-120G/TF-E(Optional)

The KJR-120G/TF-E wired remote controller is optional for all types.

i) Buttons and Functions



1. MODE button

Used to select the operation mode: Auto / Cooling / Drying / Heating / Fan;

Hold to active the operation of auto-lifting panel when off

2. POWER button

Turn on of turn off the unit.

3. Adjust button

To set temperature, time and timer; set up or down the auto-lifting panel

4. FAN SPEED button

Used to select the fan speed.

5. Swing Button

Press to active vertical swing, hold for horizontal swing

6. TIMER button

To set timer on and timer off time of one day

7. DELAY/DAY OFF button

To set 1 to 2 hours delay off for each day or a whole day off in a weekly timer schedule

8. COPY/FOLLOW ME button

To copy timer setting of one day to another in weekly schedule setting;

To active the follow me function while in normal operation.

9. BACK/TURBO button

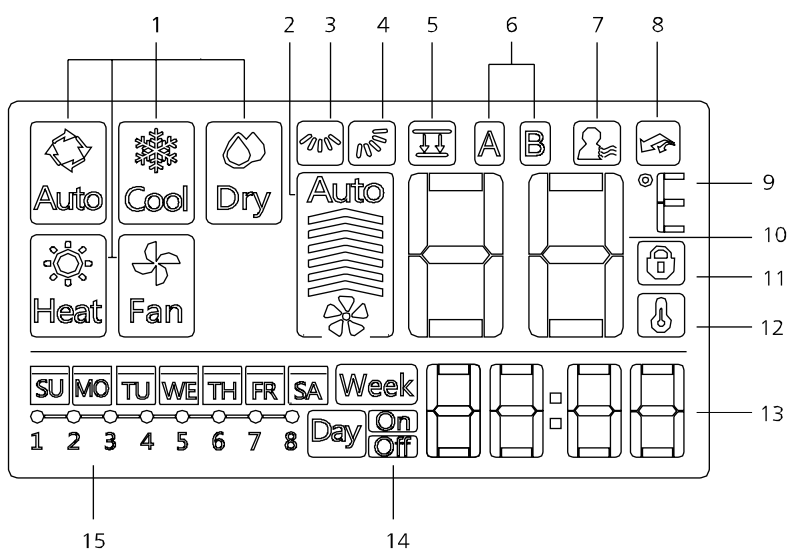
Back to previous operation or superior menu

To active turbo mode while in normal operation

10. CONFIRM button

To confirm an setting or call up the superior menu

ii) LCD Screen



1 Operation mode indication

2 Fan speed indication

3 Left-right swing indication

4 Up-down swing indication

5 Faceplate function indication

6 Main unit and secondary unit indication

7 Follow me function indication

8 Turbo/PTC function indication

9 C° / F° indication

10 Temperature display

11 Lock indication

12 Room temperature indication

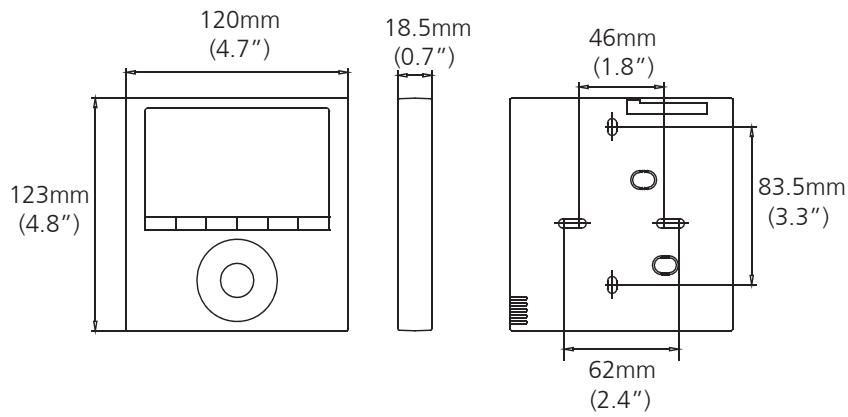
13 Clock display

14 On/Off timer

15 Timer display

iii) Installation

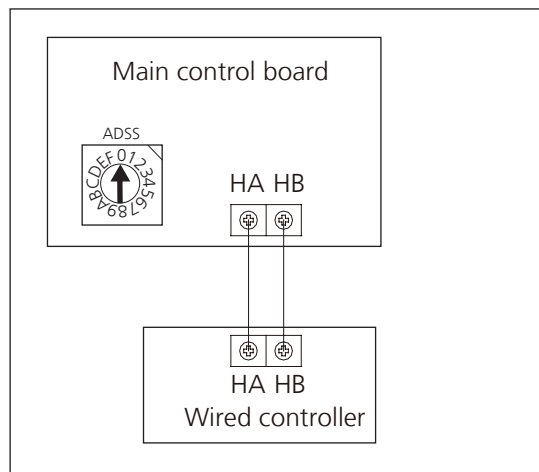
- Dimensions



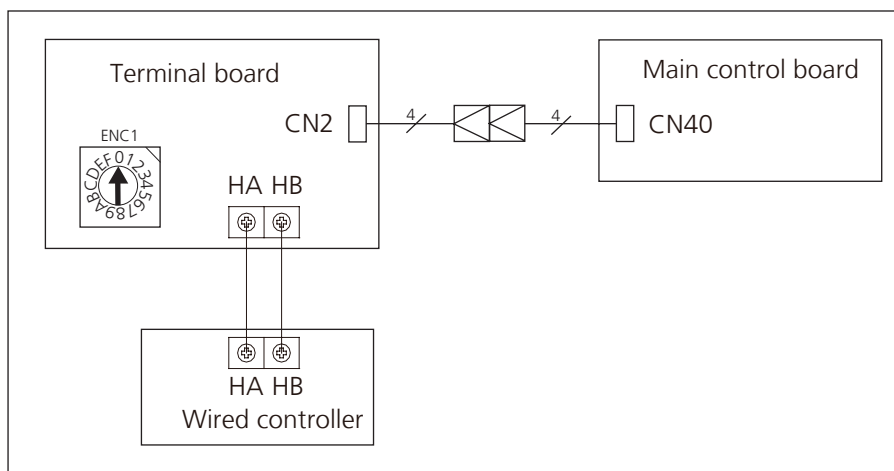
- Wiring diagram

1) Connection

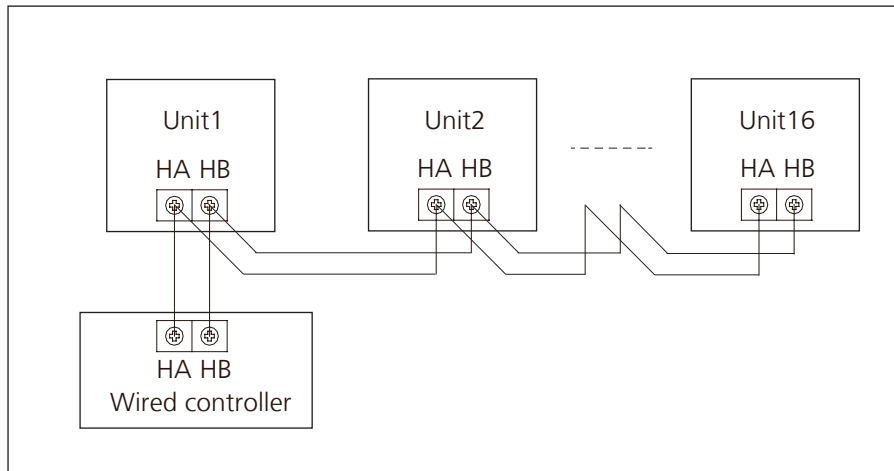
For Cassette: The wired controller connects to main control board directly.



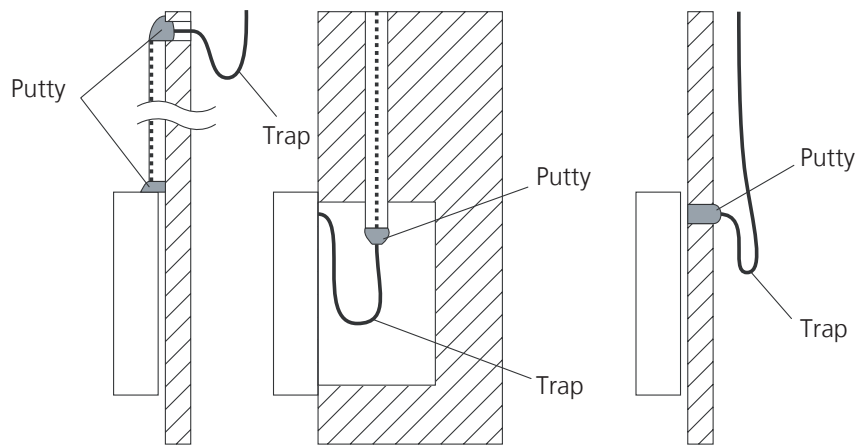
For Duct, Ceiling & floor: The wired controller connects to terminal board, terminal board connects to main control board.



2) Address setting



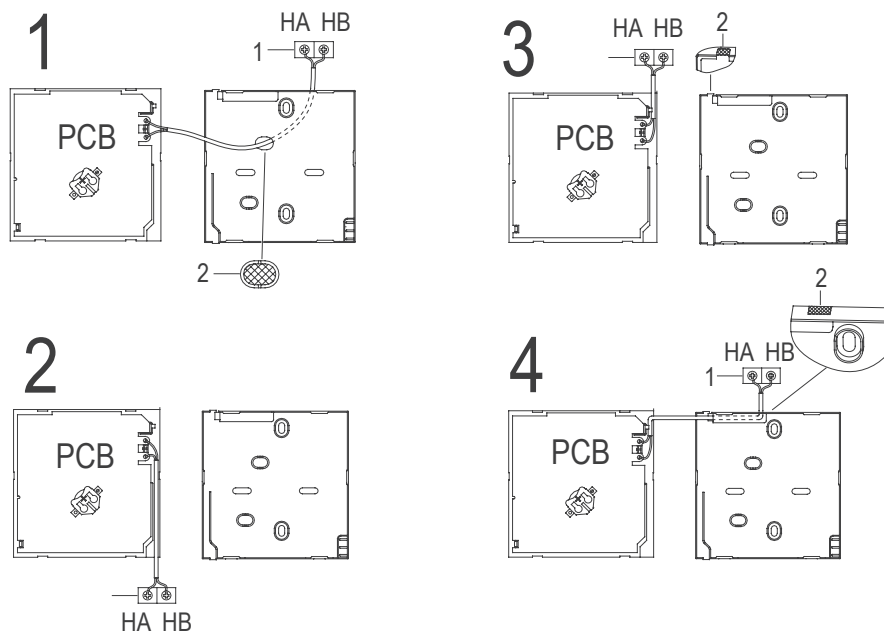
- One non-polarity controller can control up to 16 indoor units.
- When the non-polarity controller is connected to several units, every air-conditioner in network has only one network address to distinguish each other.
- Address code of air-conditioner in LAN is set by code switch ENC1(Duct and Ceiling& Floor) or ADSS(Cassette) of the indoor unit, and the set range is 0-15.
- Note: The indoor units are controlled at the same time, not independently. The purpose of setting network address is identify the unit when error occurs.



Note: DO NOT allow water to enter the remote control. Use the trap and putty to seal the wires.

• **For wiring the indoor unit, there are three methods:**

- From the rear;
- From the bottom;
- From the top;
- From the top center.

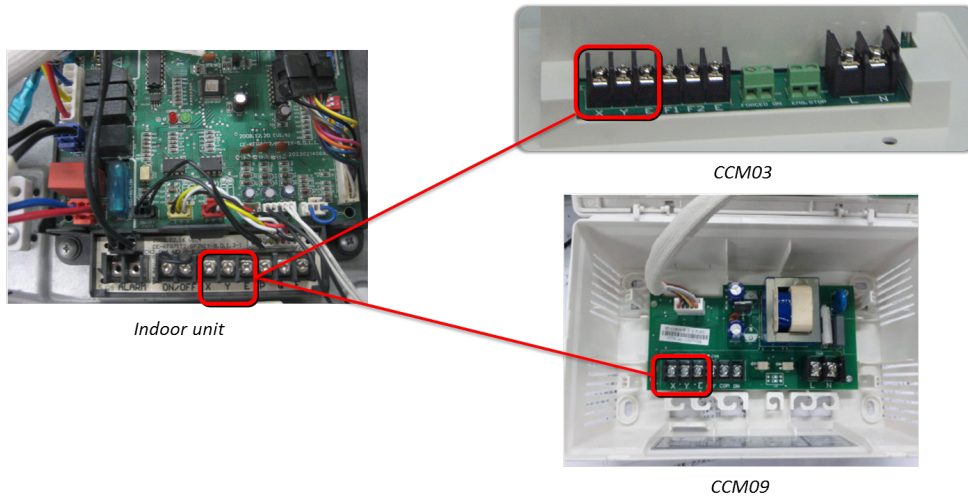


- 1: Indoor Unit.
- 2: Notch the part for the wiring to pass through with a nipper tool.
- Connect the terminals on the remote controller (HA ,HB), and the terminals of the indoor unit. (HA ,HB). (HA and HB do not have polarity.)

2.3 Centralized Controller

1) Connection

For Light commercial air conditioner with XYE port, it can be directly connected to Centralized Controller (CCM03, CCM09).



2) Address setting

When setting the address, please make sure the unit is powered off. The address can be set from 0 to 63 by the switch. Turn on the unit, then the address will be effective.

SWITCH		FOR CCM UNIT ADDRESS	
S2 + S1			
ADDRESS	0~15		16~31
Factory Setting	✓		
S2 + S1			
ADDRESS	32~47		48~63
Factory Setting			

Note: For light commercial air conditioner with XYE port, it can be also connected to BMS (Building Management System).






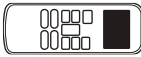


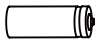
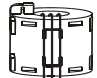
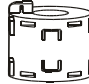
If there is any CAC (central air conditioner) connecting with the central controller at the same time, please set the address from largest (63,62,61...), since the CAC units could obtain address automatically from the smallest (00,01,02...)

Installation

Contents

Accessories	94
1. Installation Overview	95
2. Location Selection	96
3. Indoor Unit Installation	97
4. Outdoor Unit Installation.....	99
5. Drainage Pipe Installation.....	100
6. Refrigerant Pipe Installation.....	102
7. Vacuum Drying and Leakage Checking.....	103
8. Additional Refrigerant Charge	104
9. Engineering of Insulation	105
10. Engineering of Electrical Wiring.....	106
11. Test Operation	106

Accessories

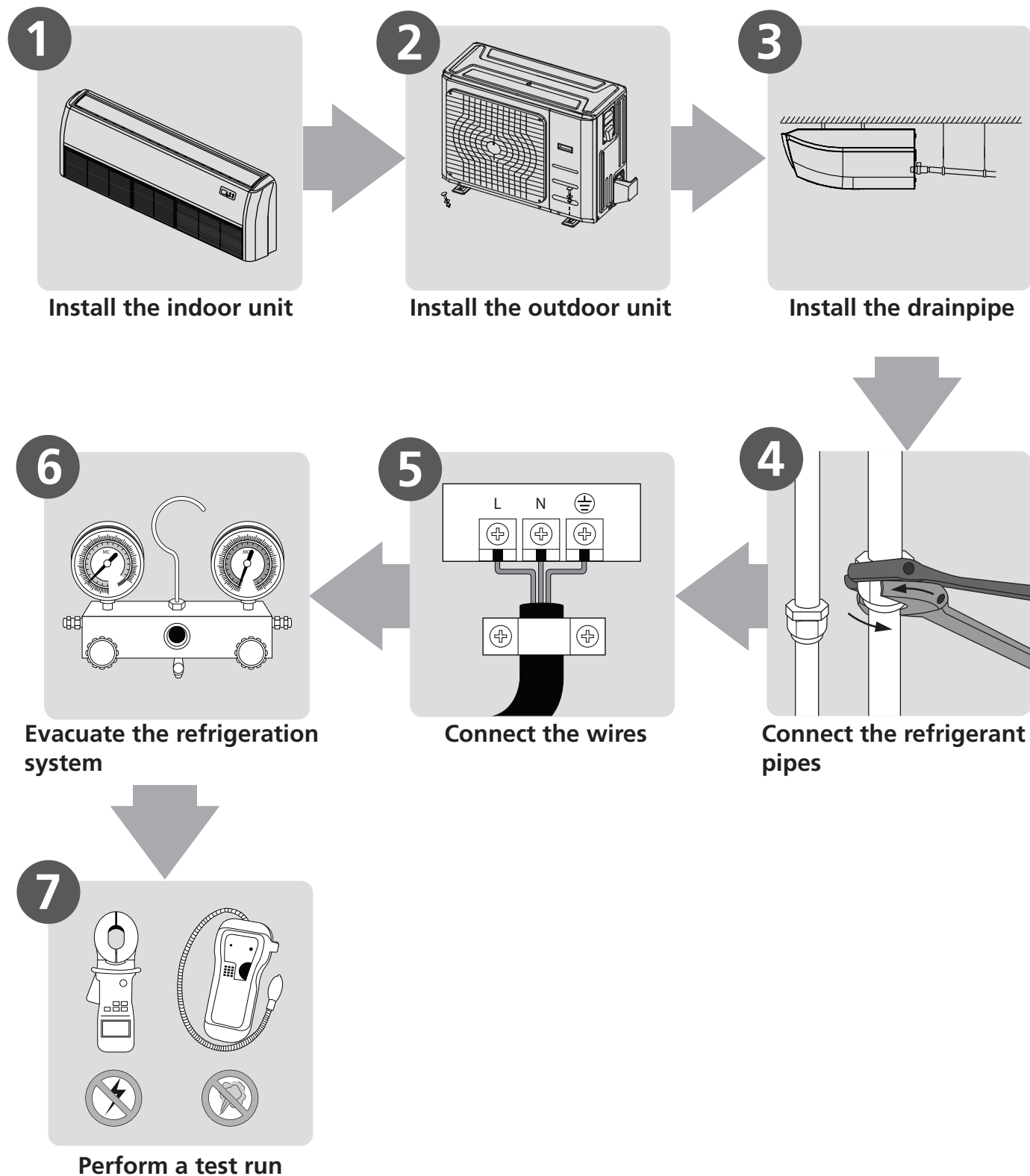
	Name	Shape	Quantity
Refrigeration Fittings	Soundproof/insulation sheath (some models)		1
Drainpipe Fittings	Outlet pipe sheath(some models)		1
	Outlet pipe clasp(some models)		1
	Drain joint (some models)		1
	Seal ring (some models)		1
Remote controller & Its Frame (some models)	Remote controller		1
	Fixing screw for remote controller holder ST2.9 x 10		2
	Remote controller holder		1
	Dry battery AAA		2
	Remote controller illustration		1
EMC Magnetic Ring (some models)	Magnetic ring (wrap the electric wires S1 & S2 (P & Q & E) around the magnetic ring twice)	 S1&S2(P&Q&E)	1
	Magnetic ring (Hitch it on the connective cable between indoor unit and outdoor unit after installation.)		1
	Owner's manual		1
	Installation manual		1

Optional accessories:

- There are two types of remote controls: wired and wireless.
- Select a remote controller based on customer preferences and requirements and install in an appropriate place.
- Refer to catalogues and technical literature for guidance on selecting a suitable remote controller.

1. Installation Overview

Installation Order



Installation

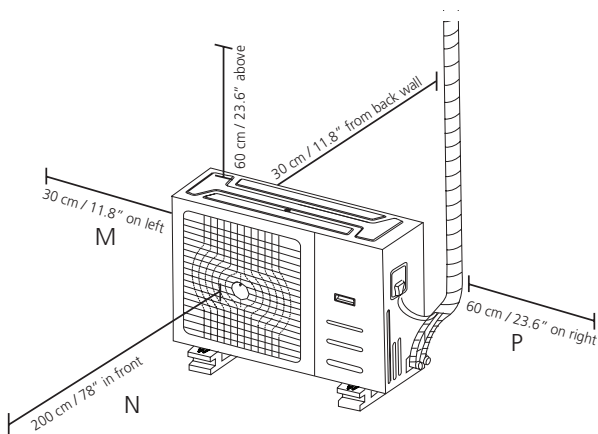
2. Location selection

2.1 Unit location selection can refer to installation manual.

2.2 **DO NOT** install the unit in the following locations:

- Where oil drilling or fracking is taking place.
- Coastal areas with high salt content in the air.
- Areas with caustic gases in the air, such as near hot springs.
- Areas with power fluctuations, such as factories.
- Enclosed spaces, such as cabinets.
- Areas with strong electromagnetic waves.
- Areas that store flammable materials or gas.
- Rooms with high humidity, such as bathrooms or laundry rooms.
- If possible, **DO NOT** install the unit where it is exposed to direct sunlight.

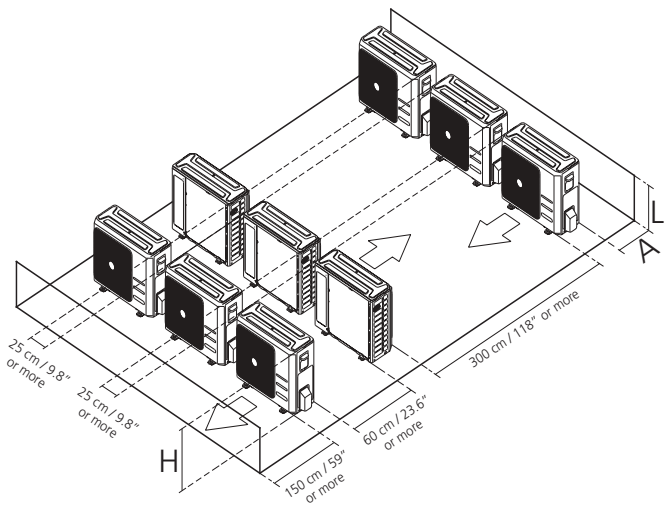
2.3 The minimum distance between the outdoor unit and walls described in the installation guide does not apply to airtight rooms. Be sure to keep the unit unobstructed in at least two of the three directions (M, N, P)



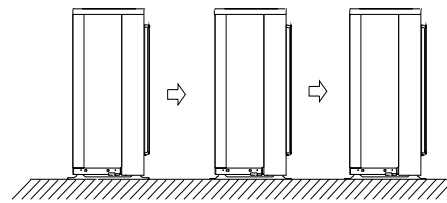
2.4 Rows of series installation

The relations between H, A and L are as follows.

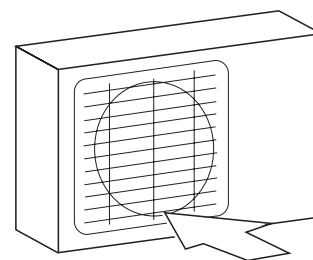
	L	A
L ≤ H	$L \leq 1/2H$	25 cm / 9.8" or more
	$1/2H < L \leq H$	30 cm / 11.8" or more
L > H	Can not be installed	



DO NOT install the rows of series like following figure.



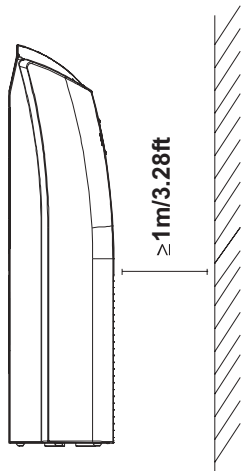
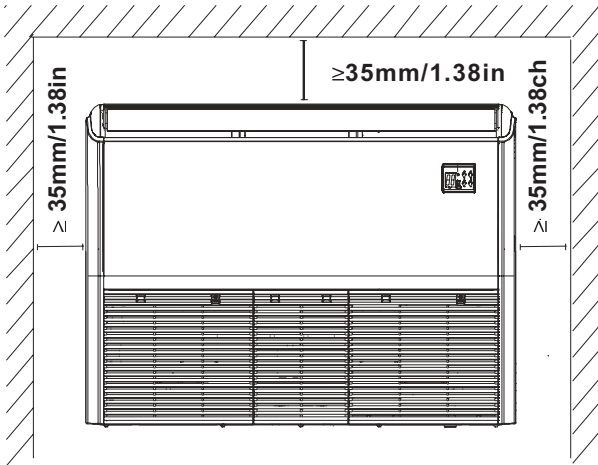
2.5 If the location is exposed to strong winds (for example: near a seaside), the unit must be placed against the wall to shelter it from the wind. If necessary, use an awning.



DO NOT Strong wind

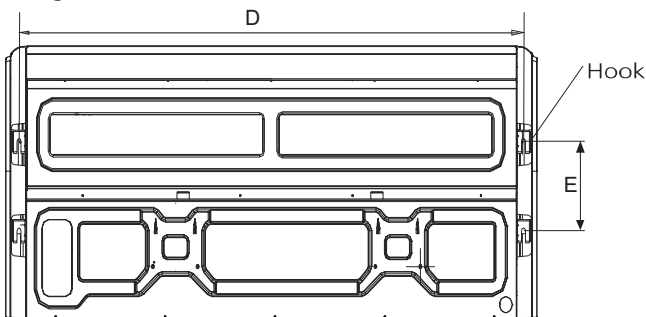
3. Indoor Unit Installation

3.1 Service space for indoor unit



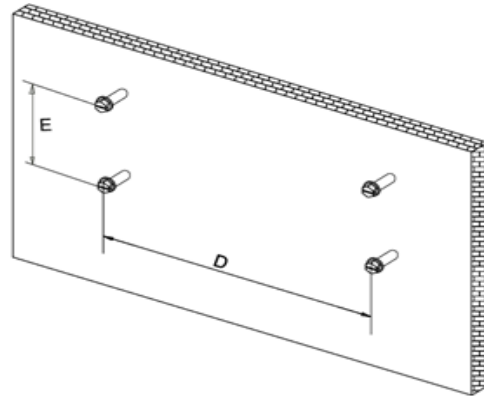
3.2 Bolt Pitch

Ceiling Installation



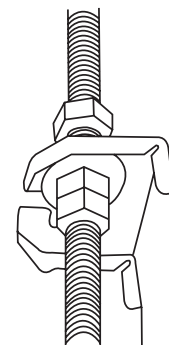
MODEL(Btu/h)	Length of D (mm/inch)	Length of E (mm/inch)
18K~24K	983/38.7	220/8.7
30K~60K	1565/61.6	220/8.7

Wall-Mounted Installation

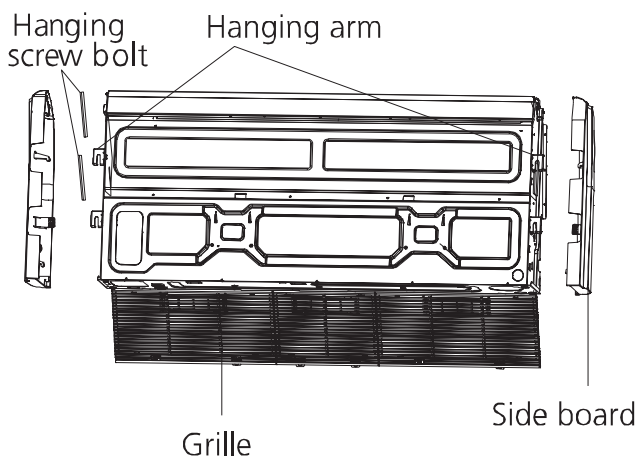


3.3 Hang Indoor Unit

- The installation of hanging screw bolts.
 - Cut off the roof beam.
 - Strengthen the area at which the cut was made and consolidate the roof beam.
- After the selection of the installation location, position the refrigerant pipes, drain pipes, and indoor and outdoor wires to the connection points before mounting the machine.
- Drill 4 holes 10cm (4") deep at the ceiling hook positions in the internal ceiling. Be sure to hold the drill at a 90° angle to the ceiling.
- Secure the bolt using the included washers and nuts.
- Install the four suspension bolts.
- Mount the indoor unit. You will need two people to lift and secure it. Insert suspension bolts into the unit's hanging holes. Fasten them using the included washers and nuts

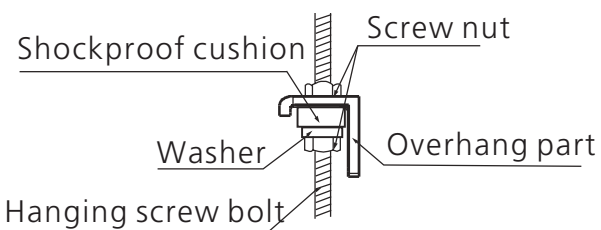


- Remove the side board and the grille.



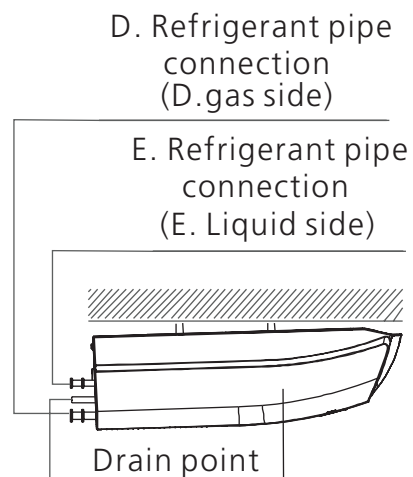
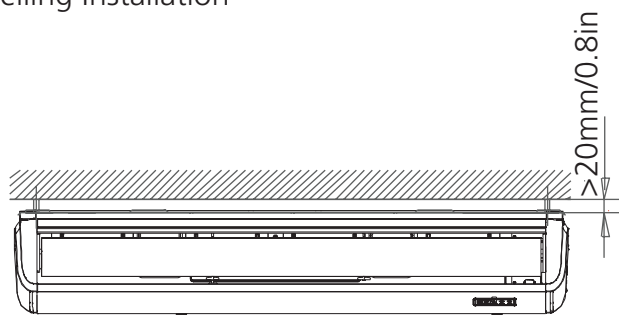
8. Mount the indoor unit onto the hanging screw bolts with a block.

Position the indoor unit on a flat level by using a level to prevent leaks.



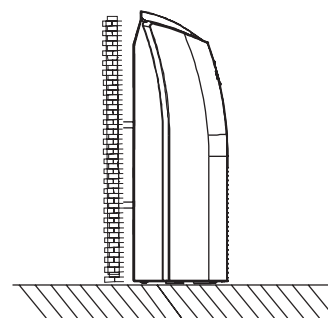
Note: Confirm the minimum drain tilt is 1/100 or more.

Ceiling Installation



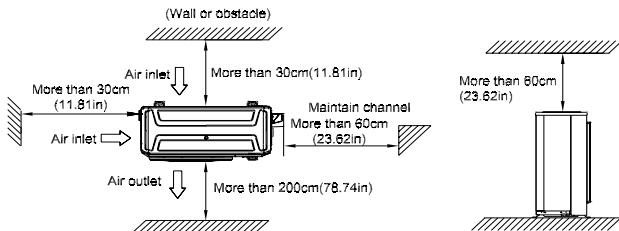
Downward slope between(1-2)/100

Wall-Mounted Installation



4. Outdoor unit installation(Side Discharge Unit)

4.1 Service space for outdoor unit



center, so please be careful when lifting it with a sling.

Never hold the inlet of the outdoor unit to prevent it from deforming.

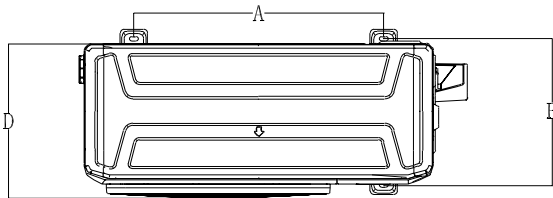
Do not touch the fan with hands or other objects.

Do not lean it more than 45, and do not lay it sidelong.

Make concrete foundation according to the specifications of the outdoor units.

Fasten the feet of this unit with bolts firmly to prevent it from collapsing in case of earthquake or strong wind.

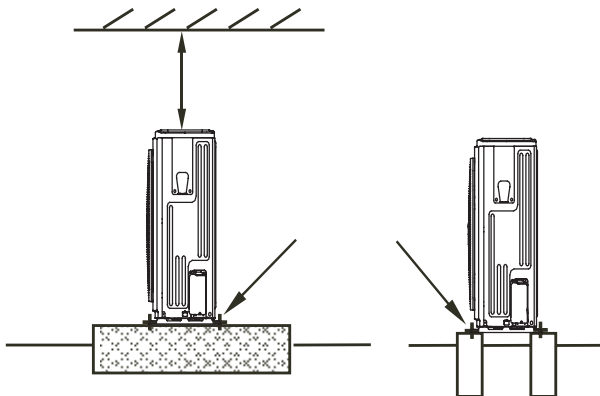
4.2 Bolt pitch



Capacity(kBtu/h)	A	B	D
18	514	340	333
24	540	350	363
36	673	403	410
48~55	634	404	415

4.3 Install Outdoor Unit

Fix the outdoor unit with anchor bolts(M10)



Cation

Since the gravity center of the unit is not at its physical

5. Drainage Pipe Installation

Install the drainage pipe as shown below and take measures against condensation. Improperly installation could lead to leakage and eventually wet furniture and belongings.

5.1 Installation principle

- Ensure at least 1/100 slope of the drainage pipe
- Adopt suitable pipe diameter
- Adopt nearby condensate water discharge

5.2 Key points of drainage water pipe installation

1. Considering the pipeline route and elevation.
 - Before installing condensate water pipeline, determine its route and elevation to avoid intersection with other pipelines and ensure slope is straight.
2. Drainage pipe selection
 - The drainage pipe diameter shall not small than the drain hose of indoor unit
 - According to the water flowrate and drainage pipe slope to choose the suitable pipe, the water flowrate is decided by the capacity of indoor unit.

Relationship between water flowrate and capacity of indoor unit

Capacity (kBtu)	Water flowrate (l/h)
18	4
24	6
36	8
48	12
55	14

According to the above table to calculate the total water flowrate for the confluence pipe selection.

For horizontal drainage pipe (The following table is for reference)

PVC pipe	Reference value of inner diameter of pipe (mm)	Allowable maximum water flowrate (l/h)		Remark
		Slope 1/50	Slope 1/100	
PVC25	20	39	27	For branch pipe
PVC32	25	70	50	
PVC40	31	125	88	Could be used for confluence pipe
PVC50	40	247	175	
PVC63	51	473	334	

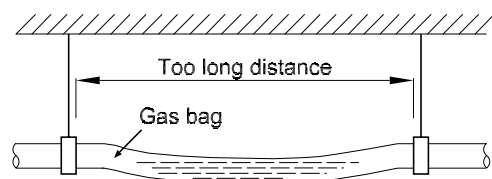
Attention: Adopt PVC40 or bigger pipe to be the main pipe.

For Vertical drainage pipe (The following table is for reference)

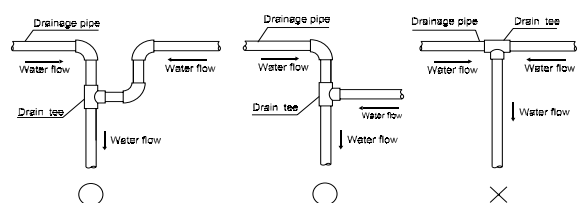
PVC pipe	Reference value of inner diameter of pipe (mm)	Allowable maximum water flowrate (l/h)	Remark
PVC25	20	220	For branch pipe
PVC32	25	410	
PVC40	31	730	Could be used for confluence pipe
PVC50	40	1440	
PVC63	51	2760	
PVC75	67	5710	
PVC90	77	8280	

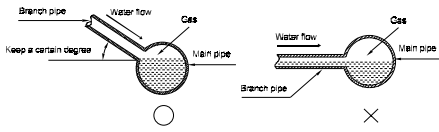
Attention: Adopt PVC40 or bigger pipe to be the main pipe.

3. Individual design of drainage pipe system
 - The drainage pipe of air conditioner shall be installed separately with other sewage pipe, rainwater pipe and drainage pipe in building.
 - The drainage pipe of the indoor unit with water pump should be apart from the one without water pump.
4. Supporter gap of drainage pipe
 - In general, the supporter gap of the drainage pipe horizontal pipe and vertical pipe is respectively 1m~1.5m and 1.5m~2.0m.
 - Each vertical pipe shall be equipped with not less than two hangers.
 - Overlarge hanger gap for horizontal pipe shall create bending, thus leading to air block.



5. The horizontal pipe layout should avoid converse flow or bad flow

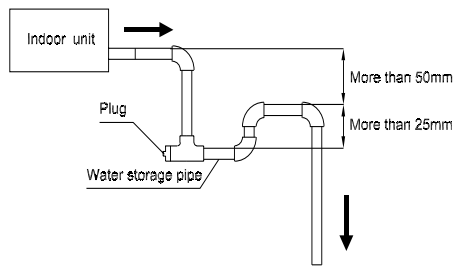




- The correct installation will not cause converse water flow and the slope of the branch pipes can be adjusted freely
- The false installation will cause converse water flow and the slope of the branch pipe can not be adjusted.

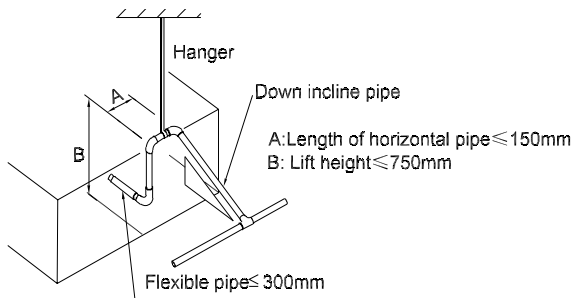
6. Water storage pipe setting

- If the indoor unit has high extra static pressure and without water pump to elevate the condensate water, such as high extra static pressure duct unit, the water storage pipe should be set to avoid converse flow or blow water phenomena.



7. Lifting pipe setting of indoor unit with water pump

- The length of lifting pipe should not exceed 750mm.
- The drainage pipe should be set down inclined after the lifting pipe immediately to avoid wrong operation of water level switch.
- Refer the following picture for installation reference.

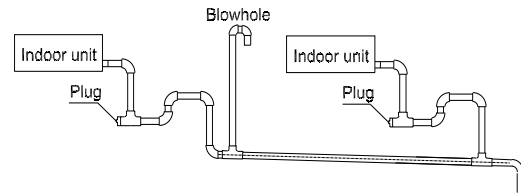


8. Blowhole setting

- For the concentrated drainage pipe system, there should design a blowhole at the highest point of main pipe to ensure the condensate water discharge smoothly.
- The air outlet shall face down to prevent dirt enter-

ing pipe.

- Each indoor unit of the system should be installed it.
- The installation should be considering the convenience for future cleaning.



9. The end of drainage pipe shall not contact with ground directly.

5.3 Insulation work of drainage pipe

Refer the introduction to the insulation engineering parts.

6. Refrigerant Pipe Installation

6.1 Maximum length and drop height

Ensure that the length of the refrigerant pipe, the number of bends, and the drop height between the indoor and outdoor units meets the requirements shown in the following table.

Capacity(kBtu/h)	Max. Length (m/ft)	Max. Elevation (m/ft)
18	30/98.4	20/65.6
24	50/164	25/82
36~55	65/213.3	30/98.4

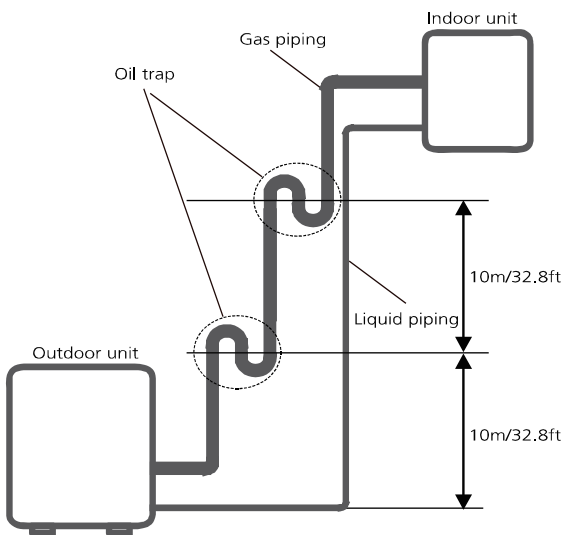
caution:

- The capacity test is based on the standard length and the maximum permissible length is based on the system reliability.
- Oil traps

If the indoor unit is installed higher than the outdoor unit:

-If oil flows back into the outdoor unit's compressor, this might cause liquid compression or deterioration of oil return. Oil traps in the rising gas piping can prevent this.

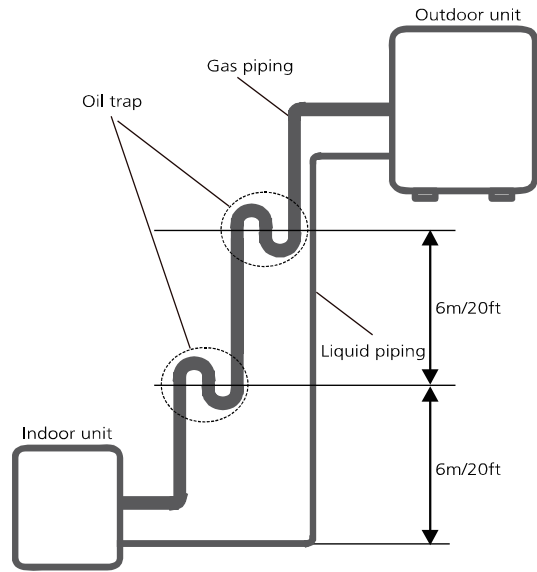
An oil trap should be installed every 10m(32.8ft) of vertical suction line riser.



The indoor unit is installed higher than the outdoor unit

If the outdoor unit is installed higher than the indoor unit:

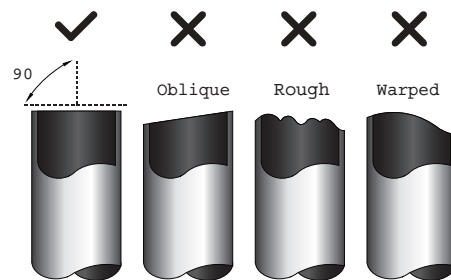
-It is recommended that vertical suction risers not be upsized. Proper oil return to the compressor should be maintained with suction gas velocity. If velocities drop below 7.62m/s(1500fpm (feet per minute)), oil return will be decreased. An oil trap should be installed every 6m(20ft) of vertical suction line riser.



The outdoor unit is installed higher than the indoor unit.

6.2 The procedure of connecting pipes

1. Choose the pipe size according to the specification table.
2. Confirm the cross way of the pipes.
3. Measure the necessary pipe length.
4. Cut the selected pipe with pipe cutter
 - Make the section flat and smooth.

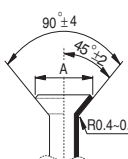


5. Insulate the copper pipe

- Before test operation, the joint parts should not be heat insulated.

6. Flare the pipe

- Insert a flare nut into the pipe before flaring the pipe
- According to the following table to flare the pipe.

Pipe diameter (inch(mm))	Flare dimension A (mm/inch)		Flare shape
	Min	Max	
1/4" (6.35)	8.4/0.33	8.7/0.34	
3/8" (9.52)	13.2/0.52	13.5/0.53	
1/2" (12.7)	16.2/0.64	16.5/0.65	
5/8" (15.9)	19.2/0.76	19.7/0.78	
3/4" (19)	23.2/0.91	23.7/0.93	
7/8" (22)	26.4/1.04	26.9/1.06	

- After flared the pipe, the opening part must be seal by end cover or adhesive tape to avoid duct or exogenous impurity come into the pipe.

7. Drill holes if the pipes need to pass the wall.

8. According to the field condition to bend the pipes so that it can pass the wall smoothly.

9. Bind and wrap the wire together with the insulated pipe if necessary.

10. Set the wall conduit

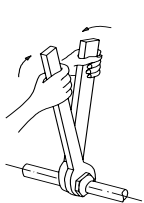
11. Set the supporter for the pipe.

12. Locate the pipe and fix it by supporter

- For horizontal refrigerant pipe, the distance between supporters should not be exceed 1m.
- For vertical refrigerant pipe, the distance between supporters should not be exceed 1.5m.

13. Connect the pipe to indoor unit and outdoor unit by using two spanners.

- Be sure to use two spanners and proper torque to fasten the nut, too large torque will damage the bellmouthing, and too small torque may cause leakage. Refer the following table for different pipe connection.

Pipe Diameter	Torque	Sketch map
	N.m(lb.ft)	
1/4" (6.35)	15~16 (11~11.8)	
3/8" (9.52)	25~26 (18.4~19.18)	
1/2" (12.7)	35~36 (25.8~26.55)	
5/8" (15.9)	45~47 (33.19~34.67)	
3/4" (19)	65~67 (47.94~49.42)	
7/8" (22)	75~85 (55.3~62.7)	

7. Vacuum Drying and Leakage Checking

7.1 Purpose of vacuum drying

- Eliminating moisture in system to prevent the phenomena of ice-blockage and copper oxidation. Ice-blockage shall cause abnormal operation of system, while copper oxide shall damage compressor.
- Eliminating the non-condensable gas (air) in system to prevent the components oxidizing, pressure fluctuation and bad heat exchange during the operation of system.

7.2 Selection of vacuum pump

- The ultimate vacuum degree of vacuum pump shall be -756mmHg or above.
- Precision of vacuum pump shall reach 0.02mmHg or above.

7.3 Operation procedure for vacuum drying

Due to different construction environment, two kinds of vacuum drying ways could be chosen, namely ordinary vacuum drying and special vacuum drying.

7.3.1 Ordinary vacuum drying

- When conduct first vacuum drying, connect pressure gauge to the infusing mouth of gas pipe and liquid pipe, and keep vacuum pump running for 1 hour (vacuum degree of vacuum pump shall be reached -755mmHg).
- If the vacuum degree of vacuum pump could not reach -755mmHg after 1 hour of drying, it indicates that there is moisture or leakage in pipeline system and need to go on with drying for half an hour.
- If the vacuum degree of vacuum pump still could not reach -755mmHg after 1.5 hours of drying, check whether there is leakage source.
- Leakage test: After the vacuum degree reaches -755mmHg, stop vacuum drying and keep the pressure for 1 hour. If the indicator of vacuum gauge does not go up, it is qualified. If going up, it indicates that there is moisture or leak source.

7.3.2 Special vacuum drying

The special vacuum drying method shall be adopted when:

- Finding moisture during flushing refrigerant pipe.
- Conducting construction on rainy day, because rain

water might penetrated into pipeline.

3. Construction period is long, and rain water might penetrated into pipeline.

4. Rain water might penetrate into pipeline during construction.

Procedures of special vacuum drying are as follows:

1. Vacuum drying for 1 hour.

2. Vacuum damage, filling nitrogen to reach 0.5Kgf/cm² .

Because nitrogen is dry gas, vacuum damage could achieve the effect of vacuum drying, but this method could not achieve drying thoroughly when there is too much moisture. Therefore, special attention shall be drawn to prevent the entering of water and the formation of condensate water.

3. Vacuum drying again for half an hour.

If the pressure reached -755mmHg, start to pressure leakage test. If it cannot reached the value, repeat vacuum damage and vacuum drying again for 1 hour.

4. Leakage test: After the vacuum degree reaches -755mmHg, stop vacuum drying and keep the pressure for 1 hour. If the indicator of vacuum gauge does not go up, it is qualified. If going up, it indicates that there is moisture or leak source.

8. Additional Refrigerant Charge

- After the vacuum drying process is carried out, the additional refrigerant charge process need to be performed.
- The outdoor unit is factory charged with refrigerant. The additional refrigerant charge volume is decided by the diameter and length of the liquid pipe between indoor and outdoor unit. Refer the following formula to calculate the charge volume.

Diameter of liquid pipe (mm)	Formula
6.35	$V=15g/m \times (L-5)$
9.52	$V=30g/m \times (L-5)$

V: Additional refrigerant charge volume (g).

L : The length of the liquid pipe (m).

Note:

- Refrigerant may only be charged after performed the vacuum drying process.
- Always use gloves and glasses to protect your hands and eyes during the charge work.
- Use electronic scale or fluid infusion apparatus to weight refrigerant to be recharged. Be sure to avoid extra refrigerant charged, it may cause liquid hammer of the compressor or protections.
- Use supplementing flexible pipe to connect refrigerant cylinder, pressure gauge and outdoor unit. And The refrigerant should be charged in liquid state. Before recharging, The air in the flexible pipe and manifold gauge should be exhausted.
- After finished refrigerant recharge process, check whether there is refrigerant leakage at the connection joint part.(Using gas leakage detector or soap water to detect).

9. Engineering of Insulation

9.1 Insulation of refrigerant pipe

1. Operational procedure of refrigerant pipe insulation

Cut the suitable pipe → insulation (except joint section) → flare the pipe → piping layout and connection → vacuum drying → insulate the joint parts

2. Purpose of refrigerant pipe insulation

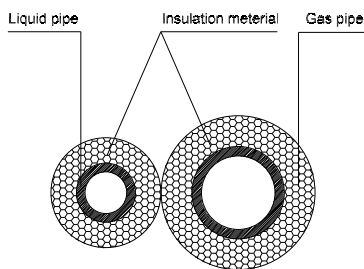
- During operation, temperature of gas pipe and liquid pipe shall be over-heating or over-cooling extremely. Therefore, it is necessary to carry out insulation; otherwise it shall debase the performance of unit and burn compressor.
- Gas pipe temperature is very low during cooling. If insulation is not enough, it shall form dew and cause leakage.
- Temperature of gas pipe is very high (generally 50-100 °C) during heating. Insulation work must be carried out to prevent hurt by carelessness touching.

3. Insulation material selection for refrigerant pipe

- The burning performance should over 120 °C
- According to the local law to choose insulation materials
- The thickness of insulation layer shall be above 10mm. If in hot or wet environment place, the layer of insulation should be thicker accordingly.

4. Installation highlights of insulation construction

- Gas pipe and liquid pipe shall be insulated separately, if the gas pipe and liquid pipe were insulated together; it will decrease the performance of air conditioner.



- The insulation material at the joint pipe shall be 5~10cm longer than the gap of the insulation material.
- The insulation material at the joint pipe shall be inserted into the gap of the insulation material.
- The insulation material at the joint pipe shall be banded to the gap pipe and liquid pipe tightly.
- The linking part should be use glue to paste together
- Be sure not bind the insulation material over-tight, it may extrude out the air in the material to cause bad

insulation and cause easy aging of the material.

9.2 Insulation of drainage pipe

1. Operational procedure of refrigerant pipe insulation

Select the suitable pipe → insulation (except joint section) → piping layout and connection → drainage test → insulate the joint parts

2. Purpose of drainage pipe insulation

The temperature of condensate drainage water is very low. If insulation is not enough, it shall form dew and cause leakage to damage the house decoration.

3. Insulation material selection for drainage pipe

- The insulation material should be flame retardant material, the flame retardancy of the material should be selected according to the local law.
- Thickness of insulation layer is usually above 10mm.
- Use specific glue to paste the seam of insulation material, and then bind with adhesive tape. The width of tape shall not be less than 5cm. Make sure it is firm and avoid dew.

4. Installation and highlights of insulation construction

- The single pipe should be insulated before connecting to another pipe, the joint part should be insulated after the drainage test.
- There should be no insulation gap between the insulation material.

10. Engineering of Electrical Wiring

10.1 Highlights of electrical wiring installation

- All field wiring construction should be finished by qualified electrician.
- Air conditioning equipment should be grounded according to the local electrical regulations.
- Current leakage protection switch should be installed.
- Do not connect the power wire to the terminal of signal wire.
- When power wire is parallel with signal wire, put wires to their own wire tube and remain at least 300mm gap.
- According to table in indoor part named "the specification of the power" to choose the wiring, make sure the selected wiring not small than the date showing in the table.
- Select different colors for different wire according to relevant regulations.
- Do not use metal wire tube at the place with acid or alkali corrosion, adopt plastic wire tube to replace it.
- There must be not wire connect joint in the wire tube If joint is a must, set a connection box at the place.
- The wiring with different voltage should not be in one wire tube.
- Ensure that the color of the wires of outdoor and the terminal No. are same as those of indoor unit respectively.
- You must first choose the right cable size before preparing it for connection. Be sure to use H07RN-F cables.

Table: Minimum Cross-Sectional Area able of Power and Signal Cables

Rated Current of Appliance (A)	Nominal Cross-Sectional Area(mm ²)
≤ 6	0.75
6 - 10	1
10 - 16	1.5
16 - 25	2.5
25 - 32	4
32 - 45	6

11. Test Operation

11.1 The test operation must be carried out after the entire installation has been completed.

11.2 Please confirm the following points before the test operation.

- The indoor unit and outdoor unit are installed properly.
- Tubing and wiring are correctly completed.
- The refrigerant pipe system is leakage-checked.
- The drainage is unimpeded.
- The ground wiring is connected correctly.
- The length of the tubing and the added stow capacity of the refrigerant have been recorded.
- The power voltage fits the rated voltage of the air conditioner.
- There is no obstacle at the outlet and inlet of the outdoor and indoor units.
- The gas-side and liquid-side stop valves are both opened.
- The air conditioner is pre-heated by turning on the power.

11.3 Test operation

1. Open both the liquid and gas stop valves.
2. Turn on the main power switch and allow the unit to warm up.
3. Set the air conditioner to COOL mode, and check the following points.

Indoor unit

- Whether the switch on the remote controller works well.
- Whether the buttons on the remote controller works well.
- Whether the air flow louver moves normally.
- Whether the room temperature is adjusted well.
- Whether the indicator lights normally.
- Whether the temporary buttons works well.
- Whether the drainage is normal.
- Whether there is vibration or abnormal noise during operation.

Outdoor unit

- Whether there is vibration or abnormal noise during operation.
- Whether the generated wind, noise, or condensed of by the air conditioner have influenced your neighborhood.
- Whether any of the refrigerant is leaked.

Drainage Test

- a. Ensure the drainpipe flows smoothly. New buildings should perform this test before finishing the ceiling.
- b. Remove the test cover. Add 2000ml of water to the tank through the attached tube.
- c. Turn on the main power switch and run the air conditioner in COOL mode.
- d. Listen to the sound of the drain pump to see if it makes any unusual noises.
- e. Check to see that the water is discharged. It may take up to one minute before the unit begins to drain depending on the drainpipe.
- f. Make sure that there are no leaks in any of the piping.
- g. Stop the air conditioner. Turn off the main power switch and reinstall the test cover.